



# Linear Guideway

Technical Information



TAIWAN EXCELLENCE  
GOLD AWARD 2013  
**Crossed Roller Bearings**



TAIWAN EXCELLENCE  
SILVER AWARD 2006  
**Torque Motor**  
**Direct drive Motor**



TAIWAN EXCELLENCE  
GOLD AWARD 2014, 2012, 2011,  
2009, 2008, 2005  
SILVER AWARD 2006, 2001, 1993  
**Ball screws**



**Ground/Rolled**

- Super T Series
- High Speed (High Dm-N Value/Super S Series)
- For Heavy-Load Drive
- Ecological & Economical lubrication Module E2
- Rotating Nut (R1)
- Energy-Saving & Thermal-Controlling (C1)
- Recirculation Divide Series



**AC Servo Motors**  
**AC Servo Drives**



TAIWAN EXCELLENCE  
GOLD AWARD 2004  
**Linear Motor**

- Coreless Type (LMC)



TAIWAN EXCELLENCE 2002  
**Linear Actuator**

- LAN for Hospital
- LAM for Industrial
- LAS Compact Size
- LAK Controller



TAIWAN EXCELLENCE  
GOLD AWARD 2010, 2003  
**Single Axis Robot**

- For Semiconductor & Electronic (KK Series)
- For Automation (KS, KA Series)



TAIWAN EXCELLENCE  
SILVER AWARD 2009  
**Linear Motor**  
**Air Bearing Platform**



TAIWAN EXCELLENCE  
GOLD AWARD 2008  
SILVER AWARD 2007, 2002  
**Linear Guideway**



**HG/EG/RG/MG Type**

- Ecological & Economical lubrication Module E2
- Low Noise (Q1)
- Air Jet (A1)



**Positioning**  
**Measurement System**



TAIWAN EXCELLENCE 2004  
**Positioning Guideway**



**Linear Motor X-Y Robot**  
**Linear Motor Gantry**

**HIWIN®**

# Linear Guideways

## Technical Information Index

Preface .....	1
<b>1. General Information .....</b>	<b>1</b>
1-1 Advantages and Features of Linear Guideway .....	1
1-2 The Principles of Selecting Linear Guideway .....	2
1-3 Basic Load Rating of Linear Guideways .....	3
1-4 The Service Life of Linear Guideways .....	4
1-5 Acting Load .....	5
1-6 Friction.....	9
1-7 Lubrication .....	10
1-8 The Butt-joint Rail .....	10
1-9 Mounting Configurations .....	11
1-10 Mounting Procedures .....	12
<b>2. HIWIN Linear Guideway Product Series .....</b>	<b>18</b>
2-1 HG Series – Heavy Load Ball Type Linear Guideway .....	20
2-2 EG Series – Low Profile Ball Type Linear Guideway .....	42
2-3 WE Series – Four-Row Wide Rail Linear Guideway .....	59
2-4 MG Series – Miniature Linear Guideway .....	74
2-5 PM Series – Miniature Linear Guideway .....	85
2-6 QH Series – Heavy Load Type Linear Guideway, with SynchMotion™ Technology .....	95
2-7 QE Series – Low Profile Linear Guideway, with SynchMotion™ Technology .....	111
2-8 QW Series – Wide Rail Linear Guideway, with SynchMotion™ Technology .....	123
2-9 RG Series – High Rigidity Roller Type Linear Guideway .....	133
2-10 QR Series – Roller type Linear Guideway, with SynchMotion™ Technology .....	152
2-11 E2 Type – Self Lubrication Kit for Linear Guideway .....	166
2-12 PG Type – Positioning Guideway .....	170
2-13 SE Type – Metallic End Cap Linear Guideway .....	186
2-14 RC Type – Reinforced Cap .....	187
2-15 Grease .....	188
<b>3. HIWIN Linear Guideway Inquiry Form .....</b>	<b>192</b>

(The specifications in this catalogue are subject to change without notification.)

## Preface

A linear guideway allows a type of linear motion that utilizes rolling elements such as balls or rollers. By using recirculating rolling elements between the rail and the block, a linear guideway can achieve high precision linear motion. Compared to a traditional slide, the coefficient of friction for a linear guideway is only 1/50. Because of the restraint effect between the rails and the blocks, linear guideways can take up loads in both the up/down and the left/right directions. With these features, linear guideways can greatly enhance moving accuracy, especially, when accompanied with precise ball screws.

## 1. General Information

### 1-1 Advantages and Features of Linear Guideways

#### (1) High positional accuracy

When a load is driven by a linear motion guideway, the frictional contact between the load and the bed desk is rolling contact. The coefficient of friction is only 1/50 of traditional contact, and the difference between the dynamic and the static coefficient of friction is small. Therefore, there would be no slippage while the load is moving.

#### (2) Long life with high motion accuracy

With a traditional slide, errors in accuracy are caused by the counter flow of the oil film. Insufficient lubrication causes wear between the contact surfaces, which become increasingly inaccurate. In contrast, rolling contact has little wear; therefore, machines can achieve a long life with highly accurate motion.

#### (3) High speed motion is possible with a low driving force

Because linear guideways have little friction resistance, only a small driving force is needed to move a load. This results in greater power savings, especially in the moving parts of a system. This is especially true for the reciprocating parts.

#### (4) Equal loading capacity in all directions

With this special design, these linear guideways can take loads in either the vertical or horizontal directions. Conventional linear slides can only take small loads in the direction parallel to the contact surface. They are also more likely to become inaccurate when they are subjected to these loads.

#### (5) Easy installation

Installing a linear guideway is fairly easy. Grinding or milling the machine surface, following the recommended installation procedure, and tightening the bolts to their specified torque can achieve highly accurate linear motion.

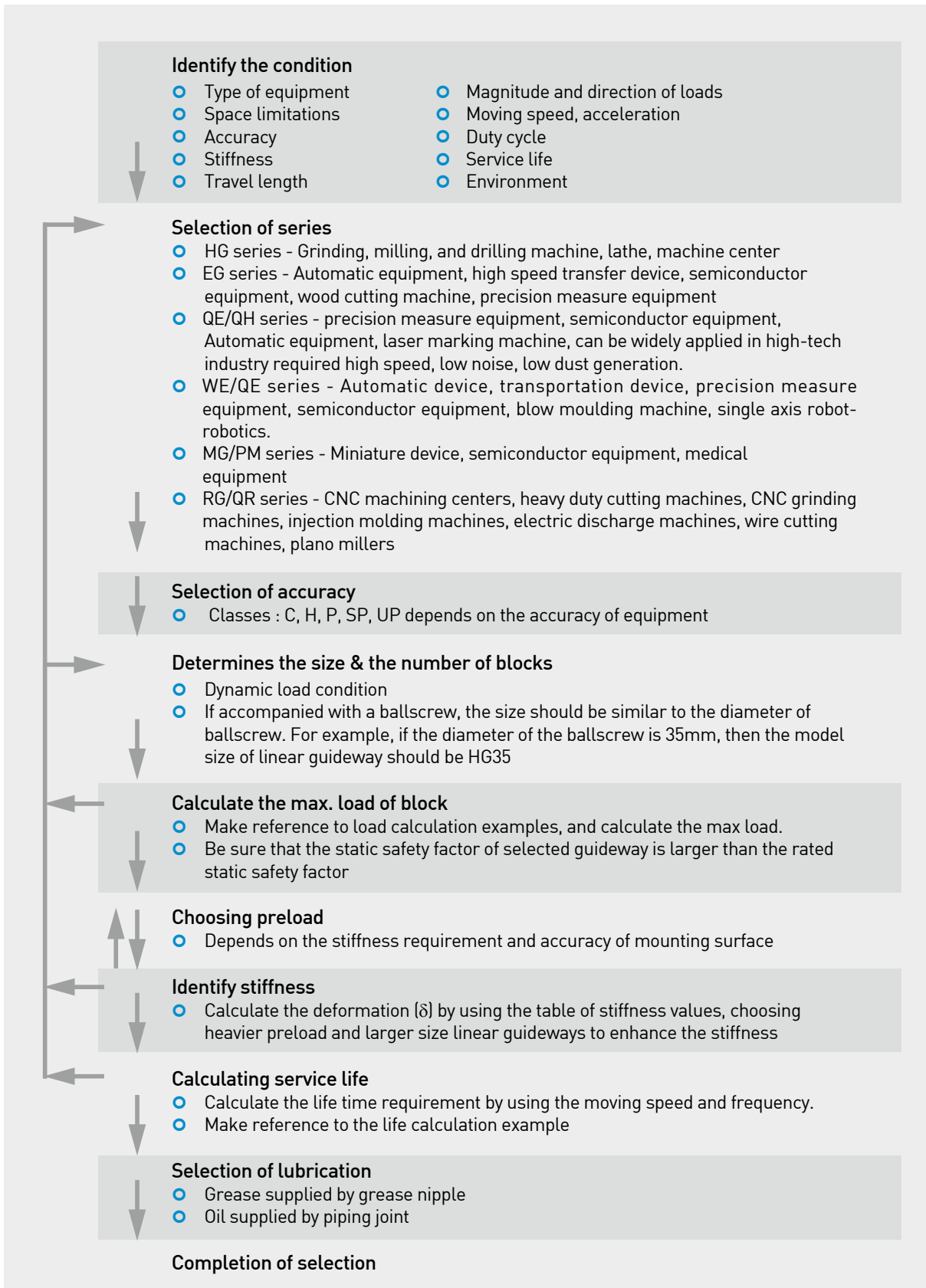
#### (6) Easy lubrication

With a traditional sliding system, insufficient lubrication causes wear on the contact surfaces. Also, it can be quite difficult to supply sufficient lubrication to the contact surfaces because finding an appropriate lubrication point is not very easy. With a linear motion guideway, grease can be easily supplied through the grease nipple on the linear guideway block. It is also possible to utilize a centralized oil lubrication system by piping the lubrication oil to the piping joint.

#### (7) Interchangeability

Compared with traditional boxways or v-groove slides, linear guideways can be easily replaced should any damage occur. For high precision grades consider ordering a matched, non-interchangeable, assembly of a block and rail.

## 1-2 Selecting Linear Guideways



## 1-3 Basic Load Ratings of Linear Guideways

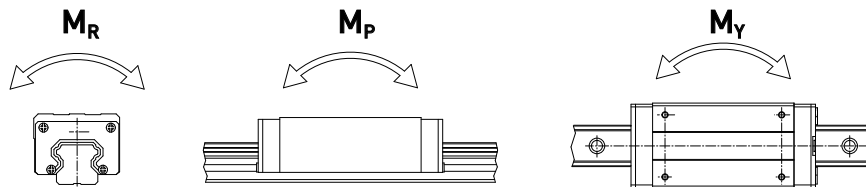
### 1-3-1 Basic Static Load

#### (1) Static load rating ( $C_0$ )

Localized permanent deformation will be caused between the raceway surface and the rolling elements when a linear guideway is subjected to an excessively large load or an impact load while either at rest or in motion. If the amount of this permanent deformation exceeds a certain limit, it becomes an obstacle to the smooth operation of the linear guideway. Generally, the definition of the basic static load rating is a static load of constant magnitude and direction resulting in a total permanent deformation of 0.0001 times the diameter of the rolling element and the raceway at the contact point subjected to the largest stress. The value is described in the dimension tables for each linear guideway. A designer can select a suitable linear guideway by referring to these tables. The maximum static load applied to a linear guideway must not exceed the basic static load rating.

#### (2) Static permissible moment ( $M_0$ )

The static permissible moment refers to a moment in a given direction and magnitude when the largest stress of the rolling elements in an applied system equals the stress induced by the Static Load Rating. The static permissible moment in linear motion systems is defined for three directions:  $M_R$ ,  $M_P$  and  $M_Y$ .



#### (3) Static safety factor

This condition applies when the guideway system is static or under low speed motion. The static safety factor, which depends on environmental and operating conditions, must be taken into consideration. A larger safety factor is especially important for guideways subject to impact loads (See Table 1-1). The static load can be obtained by using Eq. 1.1

Table 1-1 Static Safety Factor

Load Condition	$f_{SL}, f_{SM}$ (Min.)
Normal Load	1.0~3.0
With impacts/vibrations	3.0~5.0

$$f_{SL} = \frac{C_0}{P} \text{ or } f_{SM} = \frac{M_0}{M} \quad \dots \dots \dots \text{Eq.1.1}$$

- $f_{SL}$  : Static safety factor for simple load
- $f_{SM}$  : Static safety factor for moment
- $C_0$  : Static load rating (kN)
- $M_0$  : Static permissible moment (kN•mm)
- $P$  : Calculated working load (kN)
- $M$  : Calculated applying moment (kN•mm)

### 1-3-2 Basic Dynamic Load

#### (1) Dynamic load rating (C)

The basic dynamic load rating is an important factor used for calculation of service life of linear guideway. It is defined as the maximum load when the load that does not change in direction or magnitude and results in a nominal life of 50km of operation for a ball type linear guideway and 100km for a roller type linear guideway. The values for the basic dynamic load rating of each guideway are shown in dimension tables. They can be used to predict the service life for a selected linear guideway.

## 1-4 Service Life of Linear Guideways

### 1-4-1 Service Life

When the raceway and the rolling elements of a linear guideway are continuously subjected to repeated stresses, the raceway surface shows fatigue. Flaking will eventually occur. This is called fatigue flaking. The life of a linear guideway is defined as the total distance traveled until fatigue flaking appears on the surface of the raceway or rolling elements.

### 1-4-2 Nominal Life (L)

The service life varies greatly even when the linear motion guideways are manufactured in the same way or operated under the same motion conditions. For this reason, nominal life is used as the criteria for predicting the service life of a linear motion guideway. The nominal life is the total distance that 90% of a group of identical linear motion guideways, operated under identical conditions, can travel without flaking. When the basic dynamic rated load is applied to a linear motion guideway, the nominal life is 50km.

### 1-4-3 Calculation of Nominal Life

The acting load will affect the nominal life of a linear guideway. Based on the selected basic dynamic rated load and the actual load. The nominal life of ball type and roller type linear guideway can be calculated by Eq.1.2 and Eq. 1.3 respectively.

$$\text{Ball type: } L = \left(\frac{C}{P}\right)^3 \cdot 50\text{km} = \left(\frac{C}{P}\right)^3 \cdot 31\text{mile} \quad \dots\dots\dots \text{Eq.1.2}$$

$$\text{Roller type: } L = \left(\frac{C}{P}\right)^{\frac{10}{3}} \cdot 100\text{km} = \left(\frac{C}{P}\right)^{\frac{10}{3}} \cdot 62\text{mile} \quad \dots\dots\dots \text{Eq.1.3}$$

- L : Nominal life
- C : Basic dynamic load rating
- P : Actual load

If the environmental factors are taken into consideration, the nominal life is influenced greatly by the motion conditions, the hardness of the raceway, and the temperature of the linear guideway. The relationship between these factors is expressed in Eq.1.4 and Eq. 1.5.

$$\text{Ball type: } L = \left(\frac{f_h \cdot f_t \cdot C}{f_w \cdot P_c}\right)^3 \cdot 50\text{km} = \left(\frac{f_h \cdot f_t \cdot C}{f_w \cdot P_c}\right)^3 \cdot 31\text{mile} \quad \dots\dots\dots \text{Eq.1.4}$$

$$\text{Roller type: } L = \left(\frac{f_h \cdot f_t \cdot C}{f_w \cdot P_c}\right)^{\frac{10}{3}} \cdot 100\text{km} = \left(\frac{f_h \cdot f_t \cdot C}{f_w \cdot P_c}\right)^{\frac{10}{3}} \cdot 62\text{mile} \quad \dots\dots\dots \text{Eq.1.5}$$

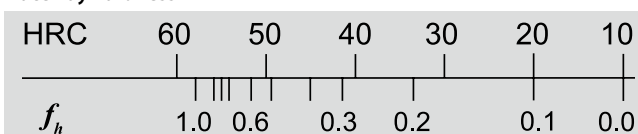
- L : Nominal life
- $f_h$  : Hardness factor
- C : Basic dynamic load rating
- $f_t$  : Temperature factor
- $P_c$  : Calculated load
- $f_w$  : Load factor

### 1-4-4 Factors of Normal Life

#### (1) Hardness factor ( $f_h$ )

In general, the raceway surface in contact with the rolling elements must have the hardness of HRC 58~62 to an appropriate depth. When the specified hardness is not obtained, the permissible load is reduced and the nominal life is decreased. In this situation, the basic dynamic load rating and the basic static load rating must be multiplied by the hardness factor for calculation.

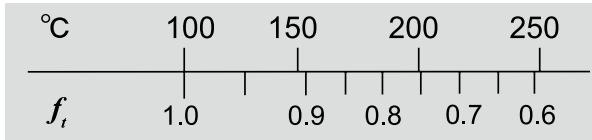
Raceway hardness



**(2) Temperature factor ( f<sub>t</sub> )**

Due to the temperature will affect the material of linear guide, therefore the permissible load will be reduced and the nominal service life will be decreased when over 100°C. Therefore, the basic dynamic and static load rating must be multiplied by the temperature factor. As some accessories are plastic which can't resist high temperature, the working environment is recommended to be lower than 100°C.

**Temperature**



**(3) Load factor ( f<sub>w</sub> )**

The loads acting on a linear guideway include the weight of slide, the inertia load at the times of start and stop, and the moment loads caused by overhanging. These load factors are especially difficult to estimate because of mechanical vibrations and impacts. Therefore, the load on a linear guideway should be divided by the empirical factor.

Table 1-2 Load factor

Loading Condition	Service Speed	f <sub>w</sub>
No impacts & vibration	V ≤ 15 m/min	1 ~ 1.2
Small impacts	15 m/min < V ≤ 60 m/min	1.2 ~ 1.5
Normal load	60m/min < V ≤ 120 m/min	1.5 ~ 2.0
With impacts & vibration	V > 120 m/min	2.0 ~ 3.5

**1-4-5 Calculation of Service Life (L<sub>h</sub>)**

Transform the nominal life into the service life time by using speed and frequency.

$$\text{Ball type: } L_h = \frac{L \cdot 10^3}{V_e \cdot 60} = \frac{\left(\frac{C}{P}\right)^3 \cdot 50 \cdot 10^3}{V_e \cdot 60} \text{ hr} \dots\dots\dots \text{Eq.1.6}$$

$$\text{Roller type: } L_h = \frac{L \cdot 10^3}{V_e \cdot 60} = \frac{\left(\frac{C}{P}\right)^{\frac{10}{3}} \cdot 100 \cdot 10^3}{V_e \cdot 60} \text{ hr} \dots\dots\dots \text{Eq.1.7}$$

- L<sub>h</sub> : Service life (hr)
- L : Nominal life (km)
- V<sub>e</sub> : Speed (m/min)
- C/P : Load factor

**1-5 Applied Loads**

**1-5-1 Calculation of Load**

Several factors affect the calculation of loads acting on a linear guideway (such as the position of the object's center of gravity, the thrust position, and the inertial forces at the time of start and stop). To obtain the correct load value, each load condition should be carefully considered.



(1) Load on one block

Table 1-3 Calculation example of loads on block

Patterns	Loads layout	Load on one block
		$P_1 = \frac{W}{4} + \frac{F}{4} + \frac{F \cdot a}{2c} + \frac{F \cdot b}{2d}$ $P_2 = \frac{W}{4} + \frac{F}{4} + \frac{F \cdot a}{2c} - \frac{F \cdot b}{2d}$ $P_3 = \frac{W}{4} + \frac{F}{4} - \frac{F \cdot a}{2c} + \frac{F \cdot b}{2d}$ $P_4 = \frac{W}{4} + \frac{F}{4} - \frac{F \cdot a}{2c} - \frac{F \cdot b}{2d}$
		$P_1 = \frac{W}{4} + \frac{F}{4} + \frac{F \cdot a}{2c} + \frac{F \cdot b}{2d}$ $P_2 = \frac{W}{4} + \frac{F}{4} + \frac{F \cdot a}{2c} - \frac{F \cdot b}{2d}$ $P_3 = \frac{W}{4} + \frac{F}{4} - \frac{F \cdot a}{2c} + \frac{F \cdot b}{2d}$ $P_4 = \frac{W}{4} + \frac{F}{4} - \frac{F \cdot a}{2c} - \frac{F \cdot b}{2d}$
		$P_1 = P_3 = \frac{W}{4} - \frac{F \cdot l}{2d}$ $P_2 = P_4 = \frac{W}{4} + \frac{F \cdot l}{2d}$
		$P_1 \sim P_4 = -\frac{W \cdot h}{2d} + \frac{F \cdot l}{2d}$
		$P_1 \sim P_4 = -\frac{W \cdot h}{2c} - \frac{F \cdot l}{2c}$ $P_{11} = P_{13} = \frac{W}{4} + \frac{F}{4} + \frac{F \cdot k}{2d}$ $P_{12} = P_{14} = \frac{W}{4} + \frac{F}{4} - \frac{F \cdot k}{2d}$

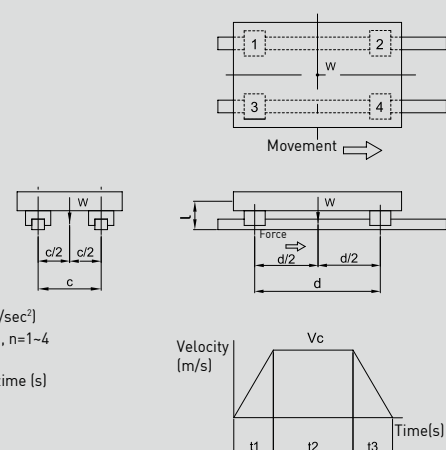
W: Applied weight  
l: Distance from external force to driver  
c: Rail spacing

$P_n$ : Load (radial, reverse radial), n=1-4  
F: External force  
d: Block spacing

a,b,k: Distance from external force to geometric center  
 $P_m$ : Load (lateral), n=1-4  
h: Distance from center of gravity to driver

(2) Loads with inertia forces

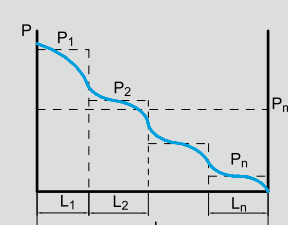
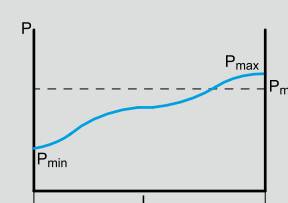
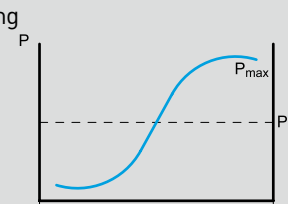
Table 1-4 Calculation Examples for Loads with Inertia Forces

Considering the acceleration and deceleration	Load on one block
 <p>W: Weight of object (N)  g: Gravitational acceleration (9.8m/sec<sup>2</sup>)  P<sub>n</sub>: Load (radial, reverse radial) (N), n=1-4  V<sub>c</sub>: Maximum speed (m/sec)  t1(t3): Acceleration (deceleration) time (s)  t2: Constant speed time (s)  c: Rail spacing (m)  d: Block spacing (m)  l: Distance from center of gravity to driver (m)</p>	<ul style="list-style-type: none"> <li>Constant velocity  <math display="block">P_1 \sim P_4 = \frac{W}{4}</math> </li> <li>Acceleration  <math display="block">P_1 = P_3 = \frac{W}{4} + \frac{1}{2} \cdot \frac{W}{g} \cdot \frac{V_c}{t_1} \cdot \frac{l}{d}</math> <math display="block">P_2 = P_4 = \frac{W}{4} - \frac{1}{2} \cdot \frac{W}{g} \cdot \frac{V_c}{t_1} \cdot \frac{l}{d}</math> </li> <li>Deceleration  <math display="block">P_1 = P_3 = \frac{W}{4} - \frac{1}{2} \cdot \frac{W}{g} \cdot \frac{V_c}{t_3} \cdot \frac{l}{d}</math> <math display="block">P_2 = P_4 = \frac{W}{4} + \frac{1}{2} \cdot \frac{W}{g} \cdot \frac{V_c}{t_3} \cdot \frac{l}{d}</math> </li> </ul>

1-5-2 Calculation of The Mean Load for Variable Loading

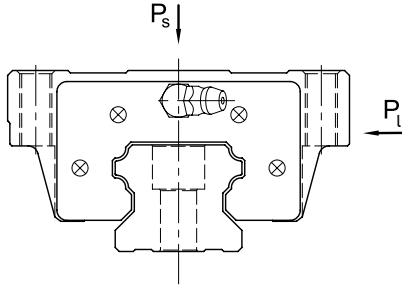
When the load on a linear guideway fluctuates greatly, the variable load condition must be considered in the life calculation. The definition of the mean load is the load equal to the bearing fatigue load under the variable loading conditions. It can be calculated by using table 1-5.

Table 1-5 Calculation Examples for Mean Load (P<sub>m</sub>)

Operation Condition	Mean load
<p>Step load</p> 	$P_m = \sqrt[3]{1/L(P_1^3 \cdot L_1 + P_2^3 \cdot L_2 + \dots + P_n^3 \cdot L_n)}$ <p>P<sub>m</sub>: Mean load  P<sub>n</sub>: Stepping  L : Total running distance  L<sub>n</sub>: Running distance under load P<sub>n</sub></p>
<p>Linear variation</p> 	$P_m = 1/3 (P_{min} + 2 \cdot P_{max})$ <p>P<sub>m</sub>: Mean load  P<sub>min</sub>: Min. Load  P<sub>max</sub>: Max. Load</p>
<p>Sinusoidal loading</p> 	$P_m = 0.65 \cdot P_{max}$ <p>P<sub>m</sub>: Mean load  P<sub>max</sub>: Max. Load</p>

### 1-5-3 Calculation for Bidirectional Equivalent Loads

HIWIN linear guideways can accept loads in several directions simultaneously. To calculate the service life of the guideway when the loads appear in multiple directions, calculate the equivalent load ( $P_e$ ) by using the equations below.



HG/EG/WE/QH/QE/QW/RG/QR Series

$$P_e = P_s + P_l \quad \dots \quad \text{Eq.1.8}$$

MG Series

$$\text{when } P_s > P_l \quad P_e = P_s + 0.5 \cdot P_l \quad \dots \quad \text{Eq.1.9}$$

$$\text{when } P_l > P_s \quad P_e = P_l + 0.5 \cdot P_s \quad \dots \quad \text{Eq.1.10}$$

### 1-5-4 Calculation Example for Service Life

A suitable linear guideway should be selected based on the acting load. The service life is calculated from the ratio of the working load and the basic dynamic load rating.

Table 1-6 Calculation Example for Service Life

Type of Linear Guideway	Dimension of device	Operating condition
Type: HGH 30 CA C : 38.74 kN C <sub>0</sub> : 52.19 kN Preload: Z0	d : 600 mm c : 400 mm h : 200 mm l : 250 mm	Weight (W) : 15 kN Acting force (F) : 1 kN Temperature: normal temperature Load status: normal load
<ul style="list-style-type: none"> <li>○ Calculation of acting loads                     <math display="block">P_1 \sim P_4 = + \frac{W \times h}{2d} - \frac{F \times l}{2d} = + \frac{15 \times 200}{2 \times 600} - \frac{1 \times 250}{2 \times 600} = 2.29 \text{ (kN)}</math> <math display="block">P_{\max} =  P_1 \sim P_4  = 2.29 \text{ (kN)}</math> </li> <li>○ Because preload is Z0, <math>P_c = P_{\max} = 2.29 \text{ (kN)}</math> Note: The larger preload (ZA, AB) will increase the rigidity, but decrease the nominal life of guideway.</li> <li>○ Calculation for life L                     <math display="block">L = \left( \frac{f_h \times f_t \times C}{f_w \times P_c} \right)^3 \times 50 = \left( \frac{1 \times 1 \times 38.74}{2 \times 2.29} \right)^3 \times 50 = 30,258 \text{ (km)}</math> </li> </ul>		

## 1-6 Friction

As mentioned in the preface, a linear guideway allows a type of rolling motion, which is achieved by using balls or rollers. The coefficient of friction for a linear guideway can be as little as 1/50 of a traditional slide. Generally, the coefficient of friction of ball type linear guideway is about 0.004 and roller type is about 0.003 .

When a load is 10% or less than the basic static load rate, the most of the resistance comes from the grease viscosity and frictional resistance between balls. In contrast, if the load is more than the basic static load rating, the resistance will mainly come from the load.

$$F = \mu \cdot W + S \quad \dots \dots \dots \text{Eq.1.11}$$

- F : Friction (kN)
- S : Friction resistance (kN)
- μ : Coefficient of friction
- W : Normal loads (kN)

## 1-7 Lubrication

Supplying insufficient lubrication to the guideway will greatly reduce the service life due to an increase in rolling friction. The lubricant provides the following functions;

- Reduces the rolling friction between the contact surfaces to avoid abrasion and surface burning of the guideway.
- Generates a lubricant film between the rolling surfaces and decreases fatigue.
- Anti-corrosion .

### 1-7-1 Grease

Linear guideway must be lubricated with the lithium soap based grease before installation. After the linear guideway is installed, we recommend that the guideway be re-lubricated every 100 km. It is possible to carry out the lubrication through the grease nipple. Generally, grease is applied for speeds that do not exceed 60 m/min faster speeds will require high-viscosity oil as a lubricant.

$$T = \frac{100 \cdot 1000}{V_e \cdot 60} \text{ hr} \quad \dots\dots\dots \text{Eq.1.12}$$

T : Feeding frequency of oil (hour)  
V<sub>e</sub> : speed (m/min)

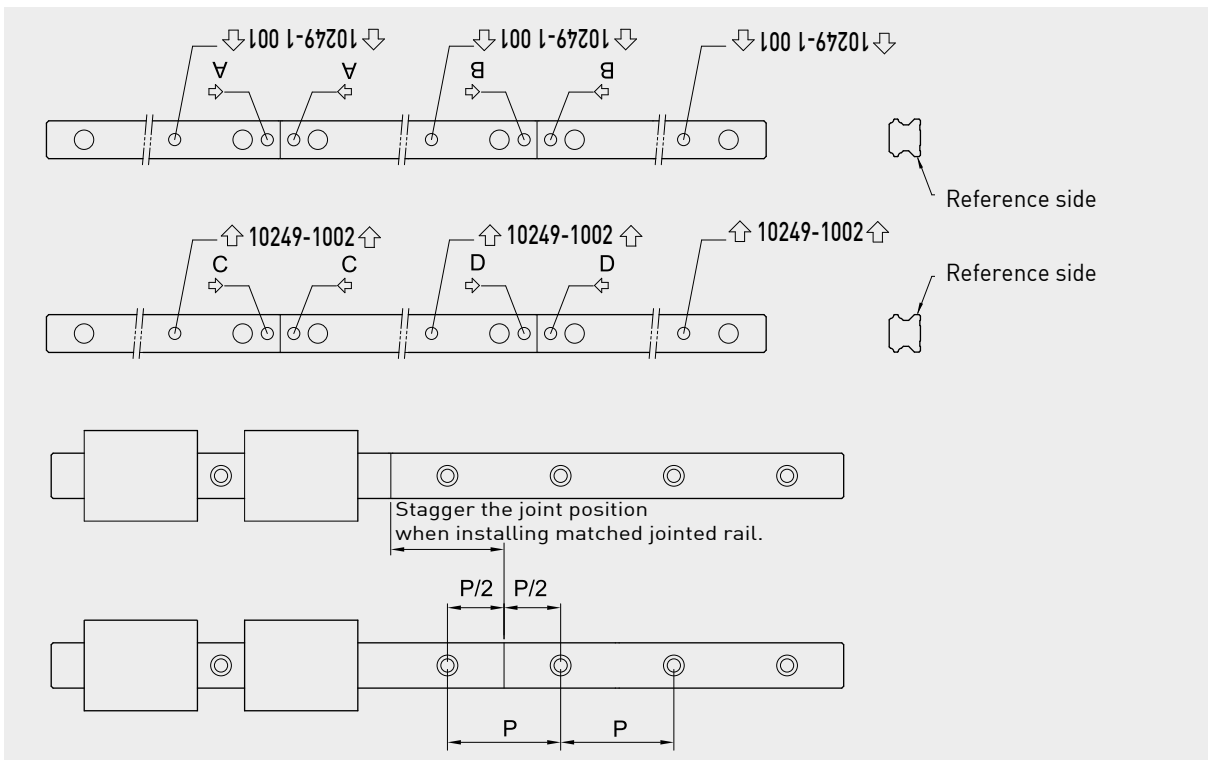
### 1-7-2 Oil

The recommended viscosity of oil is about 32~150cSt. The standard grease nipple may be replaced by an oil piping joint for oil lubrication. Since oil evaporates quicker than grease, the recommended oil feed rate is approximate 0.3cm<sup>3</sup>/hr.

## 1-8 Jointed Rail

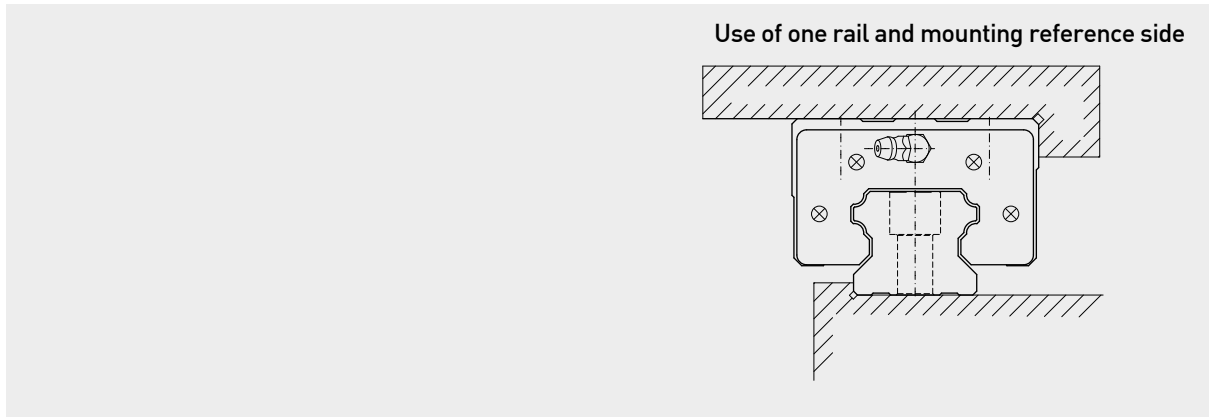
Jointed rail should be installed by following the arrow sign and ordinal number which is marked on the surface of each rail.

For matched pair, jointed rails, the jointed positions should be staggered. This will avoid accuracy problems due to discrepancies between the 2 rails (see figure).

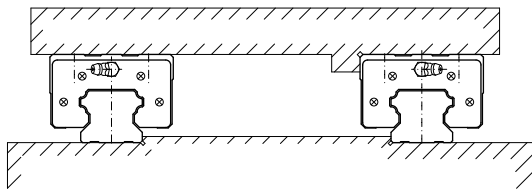


## 1-9 Mounting Configurations

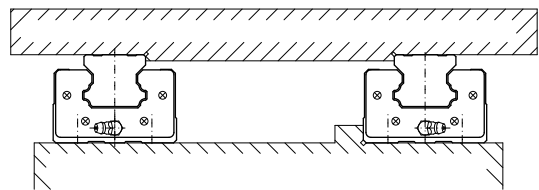
Linear guideways have equal load ratings in the radial, reverse radial and lateral directions. The application depends on the machine requirements and load directions. Typical layouts for linear guideways are shown below:



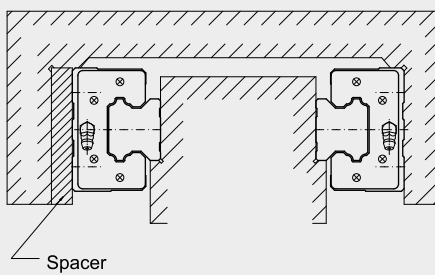
**use of two rails(block movement)**



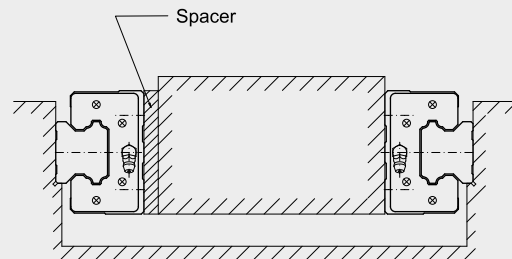
**use of two rails(block fixed)**



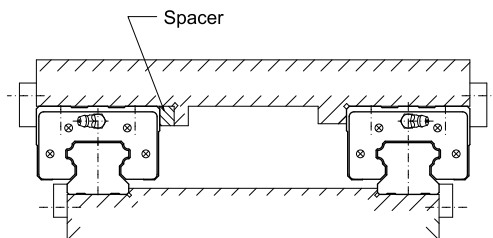
**use of two external rails**



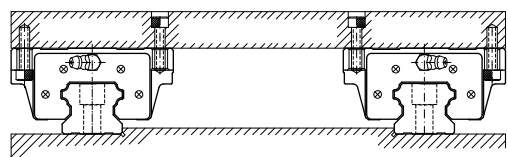
**use of two internal rails**



**total surface fixed installation**



**HGW type block with mounting holes in different directions.**

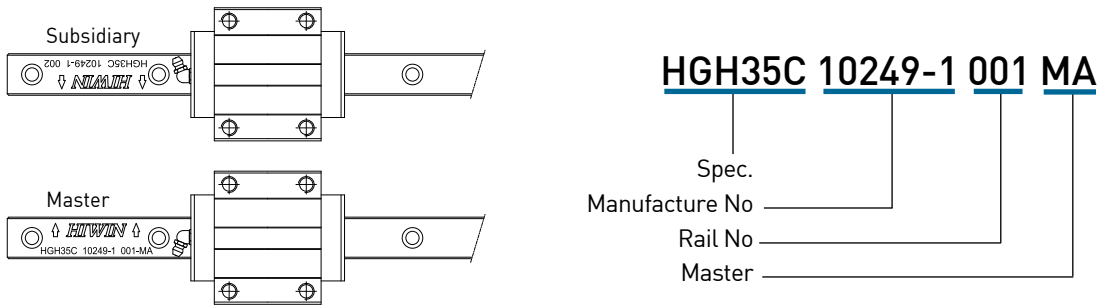


## 1-10 Mounting Procedures

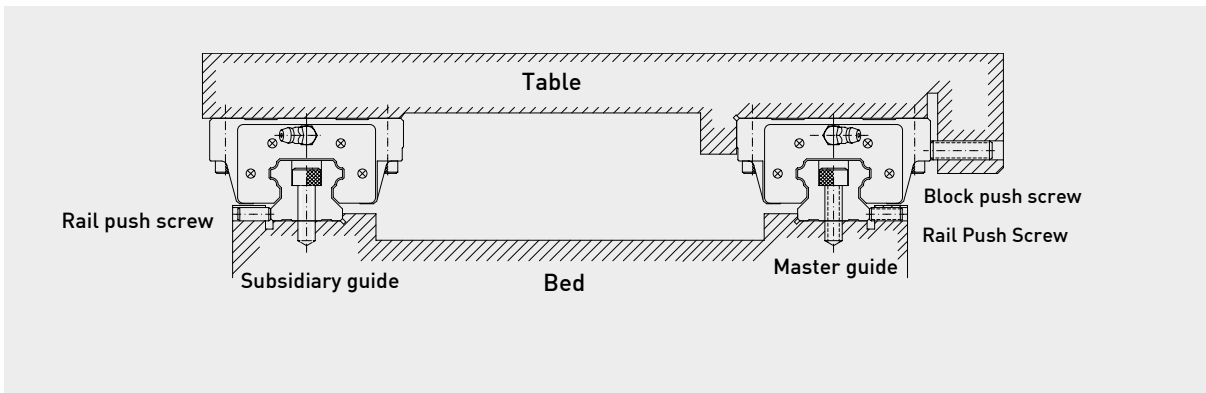
Three installation methods are recommended based on the required running accuracy and the degree of impacts and vibrations.

### 1-10-1 Master and Subsidiary Guide

For non-interchangeable type Linear Guideways, there are some differences between the master guide and subsidiary guide. The accuracy of the master guide's datum plane is better than the subsidiary's and it can be a reference side for installation. There is a mark "MA" printed on the rail, as shown in the figure below.

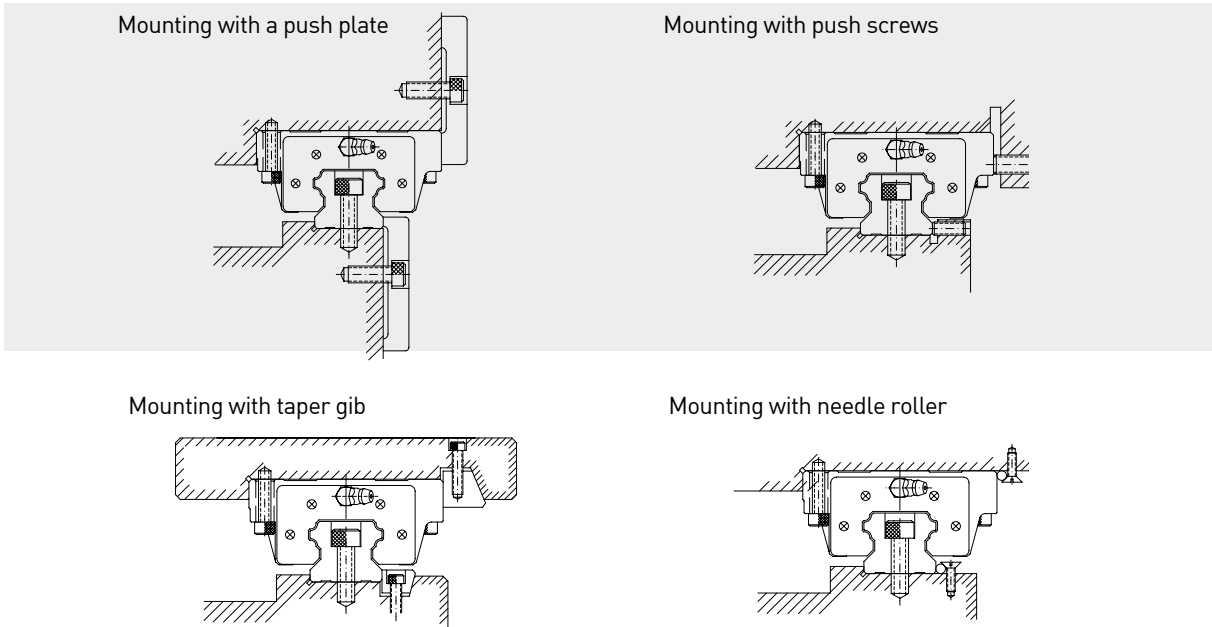


### 1-10-2 Installation to Achieve High Accuracy and Rigidity



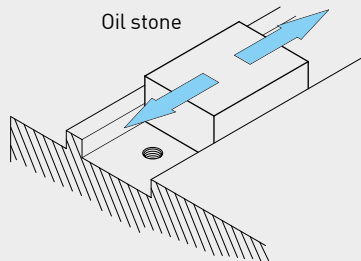
### (1) Mounting methods

It is possible that the rails and the blocks will be displaced when the machine is subjected to vibrations and impacts. To eliminate these difficulties and achieve high running accuracy, the following four methods are recommended for fixing.

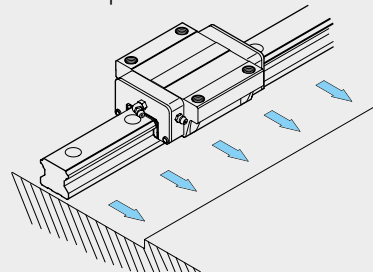


### (2) Procedure of rail installation

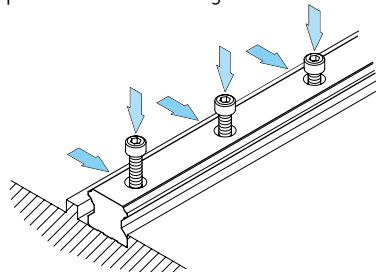
- 1 Before starting, remove all dirt from the mounting surface of the machine.



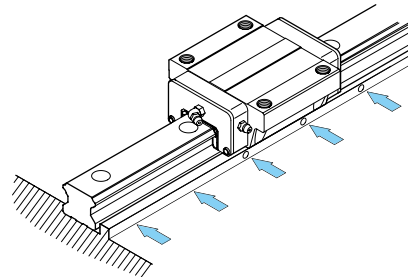
- 2 Place the linear guideway gently on the bed. Bring the guideway into close contact with the datum plane of the bed.



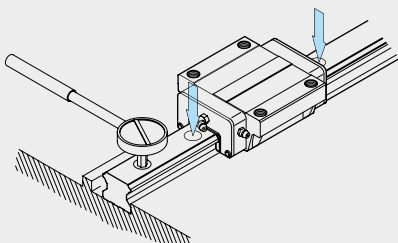
- 3 Check for correct thread engagement when inserting a bolt into the mounting hole while the rail is being placed on the mounting surface of the bed.



- 4 Tighten the push screws sequentially to ensure close contact between the rail and the side datum plane.



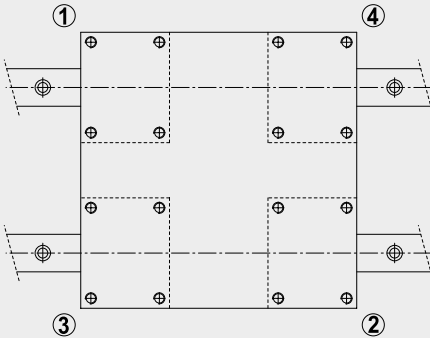
- 5 Tighten the mounting bolts with a torque wrench to the specified torque.



- 6 Install the remaining linear guideway in the same way.



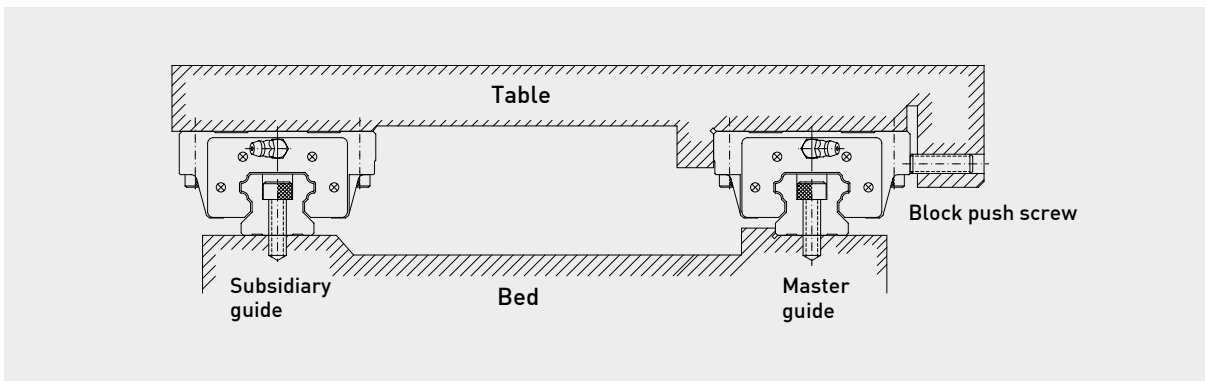
### (3) Procedure of block installation



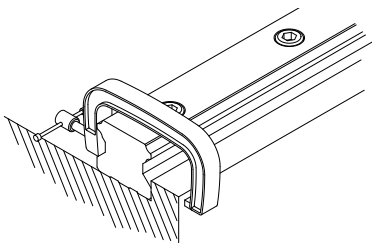
- Place the table gently on the blocks. Next, tighten the block mounting bolts temporarily.
- Push the blocks against the datum plane of the table and position the table by tightening the push screws.
- The table can be fixed uniformly by tightening the mounting bolts on master guide side and subsidiary side in 1 to 4 sequences.

### 1-10-3 Installation of the Master Guide without Push Screws

To ensure parallelism between the subsidiary guide and the master guide without push screws, the following rail installation methods are recommended. The block installation is the same as mentioned previously.

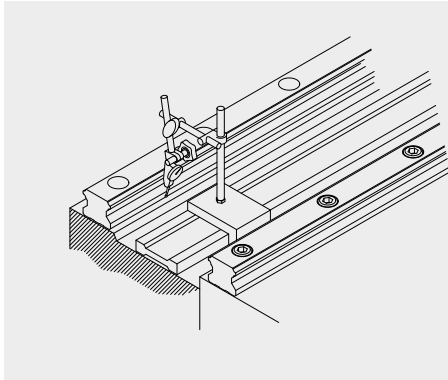


#### (1) Installation of the rail on the subsidiary guide side

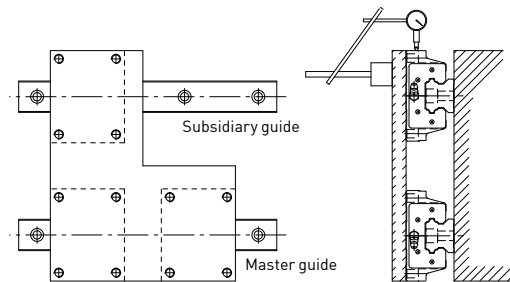


- **Using a vice**  
Place the rail into the mounting plane of the bed. Tighten the mounting bolts temporarily; then use a vice to push the rail against the side datum plane of the bed. Tighten the mounting bolts in sequence to the specified torque.

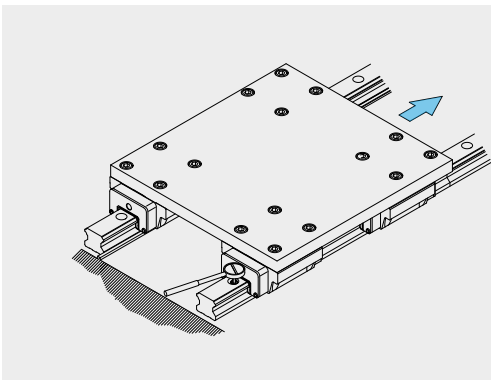
(2) Installation of the rail on the subsidiary guide side



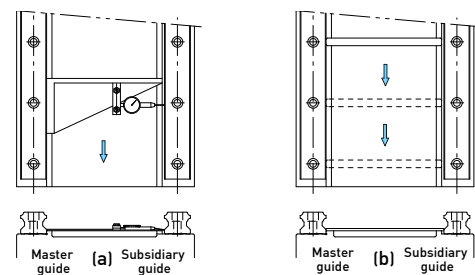
- **Method with use of a straight edge**  
Set a straight edge between the rails parallel to the side datum plane of the rail on the master guide side by using a dial gauge. Use the dial gauge to obtain the straight alignment of the rail on the subsidiary guide side. When the rail on the subsidiary guide side is parallel to the master side, tighten the mounting bolts in sequence from one end of the rail to the other.



- **Method with use of a table**  
Fix two blocks on the master guide side to the table. Temporarily fix the rail and one block on the subsidiary guide side to the bed and the table. Fix a dial gauge stand on the table surface and bring it into contact with the side of the block on the subsidiary guide side. Move the table from one end of the rail to the other. While aligning the rail on the subsidiary side parallel to the rail on the master guide side, tighten the bolts in sequence.



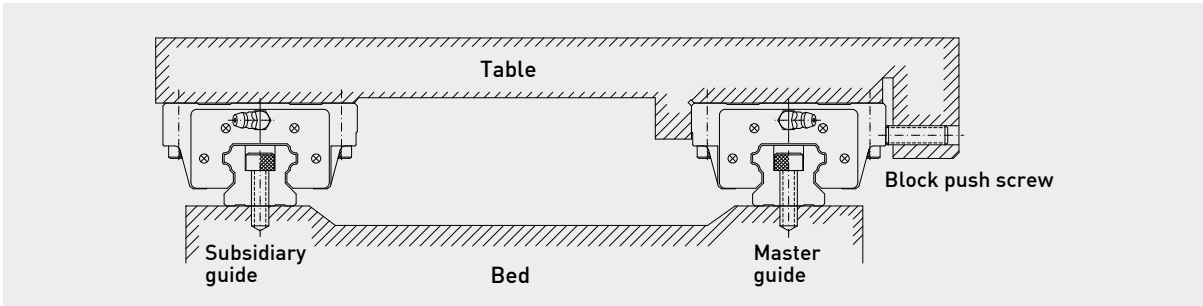
- **Method following the master guide side**  
When a rail on the master guide side is correctly tightened, fix both blocks on the master guide side and one of the two blocks on the subsidiary guide side completely to the table. When moving the table from one end of the rail, tighten the mounting bolts on the subsidiary guide side completely.



- **Method with use of a jig**  
Use a special jig to ensure the rail position on the subsidiary guide side. Tighten the mounting bolts to the specified torque in sequence.

### 1-10-4 When There Is No Side Surface of The Bed On The Master Guide Side

To ensure parallelism between the subsidiary guide and the master guide when there is no side surface, the following rail installation method is recommended. The installation of the blocks is the same as mentioned previously.



#### (1) Installation of the rail on the master guide side

- Using a provisional datum plane**  
 Two blocks are fixed in close contact by the measuring plate. A datum plane provided on the bed is used for straight alignment of the rail from one end to the other. Move the blocks and tighten the mounting bolts to the specified torque in sequence.

- Method with use of a straight edge**  
 Use a dial gauge and a straight edge to confirm the straightness of the side datum plane of the rail from one end to the other. Make sure the mounting bolts are tightened securely in sequence.

#### (2) Installation of the rail on the subsidiary guide side

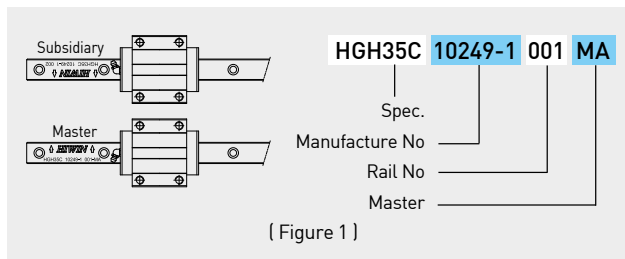
The method of installation for the rail on the subsidiary guide side is the same as the case without push screws.

### 1-10-5 Linear Guideway Mounting Instructions

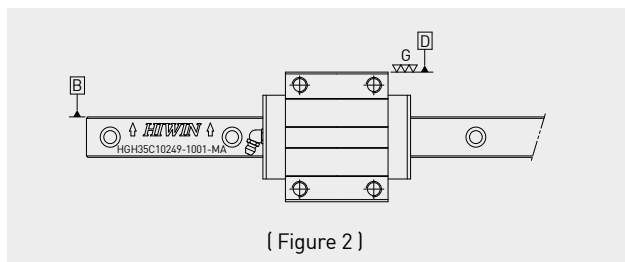
1. HIWIN guideways are supplied with a coating of anti-corrosion oil before being shipped. Please clean the oil before moving or running the blocks.

2. Recognition of master and subsidiary rails: For non-interchangeable type linear guideways, there are some differences between the master rail and subsidiary rail. The accuracy of the master rail's datum plane is better than the subsidiary's and it can be a reference side for installation. There is a mark "MA" printed on the rail. Check for the correct order before starting the installation. The rail number of master is an odd number and the rail number of subsidiary is an even number. Please install the rails according to the indication and carry on the installation according to the order for multi-rails installment (e.g.: 001 pairs 002 ; 003 pairs 004 etc.)

3. Recognition of datum plane: The datum plane [B] of rail is the side indicated by the arrow, which is marked on the top surface of the rail. The datum plane of block is smooth ground surface which shows as D in Figure 2.

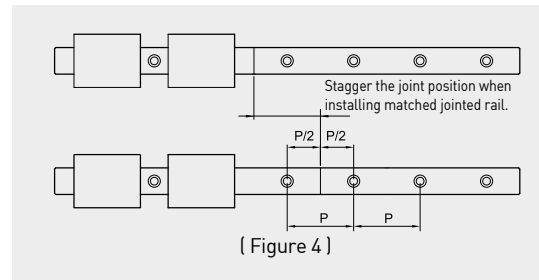
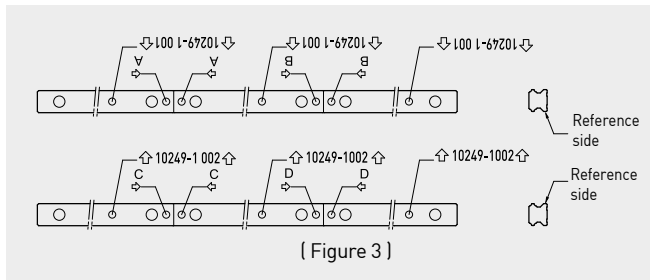


( Figure 1 )

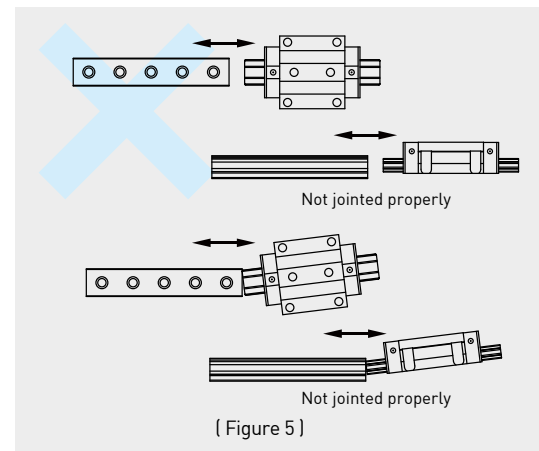
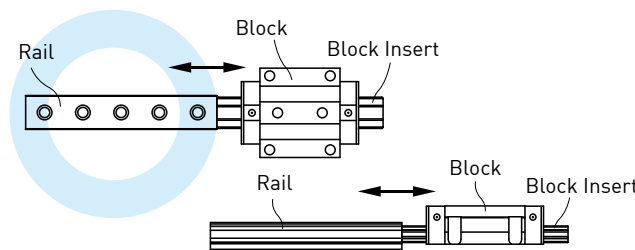


( Figure 2 )

4. Butt-joint rail: Butt-joint rail should be installed by following the arrow sign and ordinal number which is marked on the surface of each rail as shown in the figure 3. To avoid accuracy problems due to discrepancies between the 2 rails such as for matched pair, butt-joint rails, the jointed positions should be staggered as shown in figure 4.



5. Do not remove blocks from rails when assembling the guideways in machines as far as possible. Please use block inserts (please see Figure 5) if it is necessary to remove/mount block from/ onto rail.



6. Please do not randomly mix block units and rails for non interchangeable type to avoid any installation problem.  
7. To ensure the straightness of rail, please tighten the mounting bolts sequentially with a torque wrench to the specified torque. (Refer to HIWIN Technical Information).

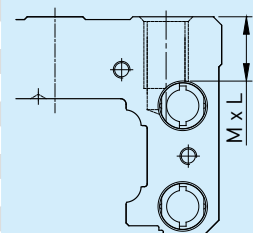
## 1-10-6 Linear Guideway Usage Instructions

- Lubricate the blocks after assembling the guideways in machines. Use a lithium soap-base grease or oil.
- The guideways are packaged with anti-corrosion oil before delivery. If the rails were cleaned before installation, remember to lubricate the rails after assembling the guideways in machine. (Please confirm the compatibility between lubricant & anti rust rail)
- The blocks are composed of various plastic parts, please avoid prolonged exposure of these parts with any organic solvent when cleaning the blocks to prevent possible damage.
- Try to avoid any foreign objects from getting into the block as this could result in damage to the product.
- Please do not disassemble the parts, the incautious actions of disassembly may bring foreign objects into the block and diminish the precision of the guideways or cause possible damage.
- When handling the guideways please hold them horizontally. Improper handling can cause the blocks to fall off the rail.
- Please avoid the inappropriate falling or clash on the blocks, which will damage the function of guideways.
- For special application conditions, please apply the appropriate surface treatment or refer to the Linear Guideway Technical Information catalog for more detailed instructions.
- The operating temperature range of the E2 type (Self lubricant kit) is  $-10^{\circ}\text{C} \sim 60^{\circ}\text{C}$ . For Q1 types (Quiet linear guideway), the range is  $-10^{\circ}\text{C} \sim 80^{\circ}\text{C}$ . The maximum service temperature of the SE type (Metallic end cap) is  $150^{\circ}\text{C}$  and for other standard types it is  $100^{\circ}\text{C}$ .
- Please refer to the Linear Guideway Technical Information catalog for more detailed instructions. Please do not hesitate to contact HIWIN if there are further questions related to the application.

Note: For Q1 type guideways (QH & QE), please pay attention to the following instructions:

- When assembling and disassembling the Q1 blocks, please use the block insert that is provided. (one block insert is equipped per block).
- Special accessories are used in the Q1 type guideways, any adjustment on the preload is prohibited.
- For some of our Q1 type Linear Guideways, the boreholes for fixing the slider on the block are connected with recirculation channels. Therefore please pay attention to the length of screws, to avoid the screw with longer length might interfere the recirculation parts and influence the operating performance.

Specification	Max. length of screws M x L (mm)
QHH20	M5 x 6
QHH25	M6 x 8
QHH30	M8 x 10
QHH35	M8 x 12
QEH20	M5 x 7
QEH25	M6 x 9
QEH30	M8 x 10
QWH27	M6 x 6
QWH35	M8 x 8



## 2. HIWIN Linear Guideway Product Series

In an effort to meet customer’s requirement and service needs HIWIN offers several different types of guides. We supply the HG series which is suitable for CNC machineries, the EG series for automation industries, the WE series for single axis equipment, the RG series for high rigidity applications, and the miniature series, MGN/MGW, for medical devices and semiconductor equipment. Also for high technology industries, HIWIN has developed the QH and QE series with high speed and quiet characteristics.

### (1) Types & series

Table 2-1 Types & Series

Series	Assembly Height	Load	Square Tap hole	Flange		
				Tap hole	Drilled hole	Combination
HG	High	Heavy Load	HGH-CA	-	-	-
		Super Heavy Load	HGH-HA	-	-	-
	Low	Heavy Load	HGL-CA	HGW-CA	HGW-CB	HGW-CC
		Super Heavy Load	HGL-HA	HGW-HA	HGW-HB	HGW-HC
EG	Low	Medium Load	EGH-SA	EGW-SA	EGW-SB	-
		Heavy Load	EGH-CA	EGW-CA	EGW-CB	-
WE	Low	Heavy Load	WEH-CA	-	-	WEW-CC
MGN	-	Standard	MGN-C	-	-	-
		Long	MGN-H	-	-	-
MGW	-	Standard	MGW-C	-	-	-
		Long	MGW-H	-	-	-
PMN	-	Standard	PMN-C	-	-	-
QH	High	Heavy Load	QHH-CA	-	-	-
		Super Heavy Load	QHH-HA	-	-	-
	Low	Heavy Load	-	QHW-CA	QHW-CB	QHW-CC
		Super Heavy Load	-	QHW-HA	QHW-HB	QHW-HC
QE	Low	Medium Load	QEH-SA	QEW-SA	QEW-SB	-
		Heavy Load	QEH-CA	QEW-CA	QEW-CB	-
QW	Low	Heavy Load	QWH-CA	-	-	QWW-CC
RG	High	Heavy Load	RGH-CA	-	-	-
		Super Heavy Load	RGH-HA	-	-	-
	Low	Heavy Load	-	-	-	RGW-CC
		Super Heavy Load	-	-	-	RGW-HC
QR	High	Heavy Load	QRH-CA	-	-	-
		Super Heavy Load	QRH-HA	-	-	-
	Low	Heavy Load	-	-	-	QRW-CC
		Super Heavy Load	-	-	-	QRW-HC

(2) Accuracy classes

Table 2-2 Accuracy Classes

Series	Assembly Type					Interchangeable Type		
	Normal	High	Precision	Super Precision	Ultra Precision	Normal	High	Precision
	(C)	(H)	(P)	(SP)	(UP)	(C)	(H)	(P)
HG	●	●	●	●	●	●	●	●
EG	●	●	●	●	●	●	●	●
WE	●	●	●	●	●	●	●	●
MGN	●	●	●	-	-	●	●	●
MGW	●	●	●	-	-	●	●	●
PMN	●	●	●	-	-	●	●	●
QH	●	●	●	●	●	●	●	●
QE	●	●	●	●	●	●	●	●
QW	●	●	●	●	●	●	●	●
RG	-	●	●	●	●	-	●	●
QR	-	●	●	●	●	-	●	●

(3) Classification of preload

Table 2-3 Preload

Series	Non-interchangeable Type			Interchangeable Type	
	Light preload (Z0)	Medium Preload (ZA)	Heavy Preload (ZB)	Light Preload (Z0)	Medium Preload (ZA)
HG	●	●	●	●	●
EG	●	●	●	●	●
WE	●	●	●	●	●
QH	●	●	●	●	●
QE	●	●	●	●	●
QW	●	●	●	●	●

Series	Non-interchangeable Type			Interchangeable Type	
	Very Light Preload (Z0)	Medium Preload (ZA)	Heavy Preload (ZB)	Very Light Preload (Z0)	Light Preload (ZA)
RG	●	●	●	●	●
QR	●	●	●	●	●

Series	Non-interchangeable Type			Interchangeable Type		
	Light Clearance (ZF)	Very Light Preload (Z0)	Light Preload (Z1)	Light Clearance (ZF)	Very Light Preload (Z0)	Light Preload (Z1)
MGN	●	●	●	●	●	●
MGW	●	●	●	●	●	●
PMN	●	●	●	●	●	●

## HG Series

### Heavy Load Ball Type

## 2-1 HG Series - Heavy Load Ball Type Linear Guideway

HG series linear guideways are designed with load capacity and rigidity higher than other similar products with circular-arc groove and structure optimization. It features equal load ratings in the radial, reverse radial and lateral directions, and self-aligning to absorb installation-error. Thus, HIWIN HG series linear guideways can achieve a long life with high speed, high accuracy and smooth linear motion.

### 2-1-1 Features of HG Series

#### (1) Self-aligning capability

By design, the circular-arc groove has contact points at 45 degrees. HG series can absorb most installation errors due to surface irregularities and provide smooth linear motion through the elastic deformation of rolling elements and the shift of contact points. Self-aligning capability, high accuracy and smooth operation can be obtained with an easy installation.

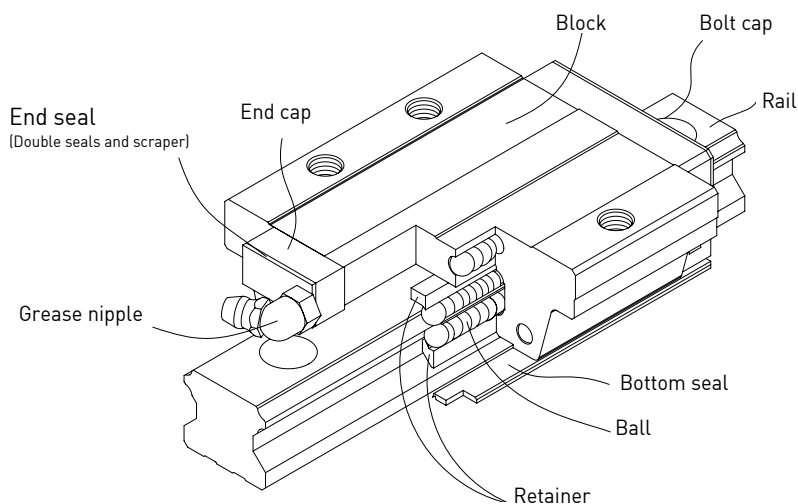
#### (2) Interchangeability

Because of precision dimensional control, the dimensional tolerance of HG series can be kept in a reasonable range, which means that any blocks and any rails in a specific series can be used together while maintaining dimensional tolerance. And a retainer is added to prevent the balls from falling out when the blocks are removed from the rail.

#### (3) High rigidity in all four directions

Because of the four-row design, the HG series linear guideway has equal load ratings in the radial, reverse radial and lateral directions. Furthermore, the circular-arc groove provides a wide-contact width between the balls and the groove raceway allowing large permissible loads and high rigidity.

### 2-1-2 Construction of HG Series

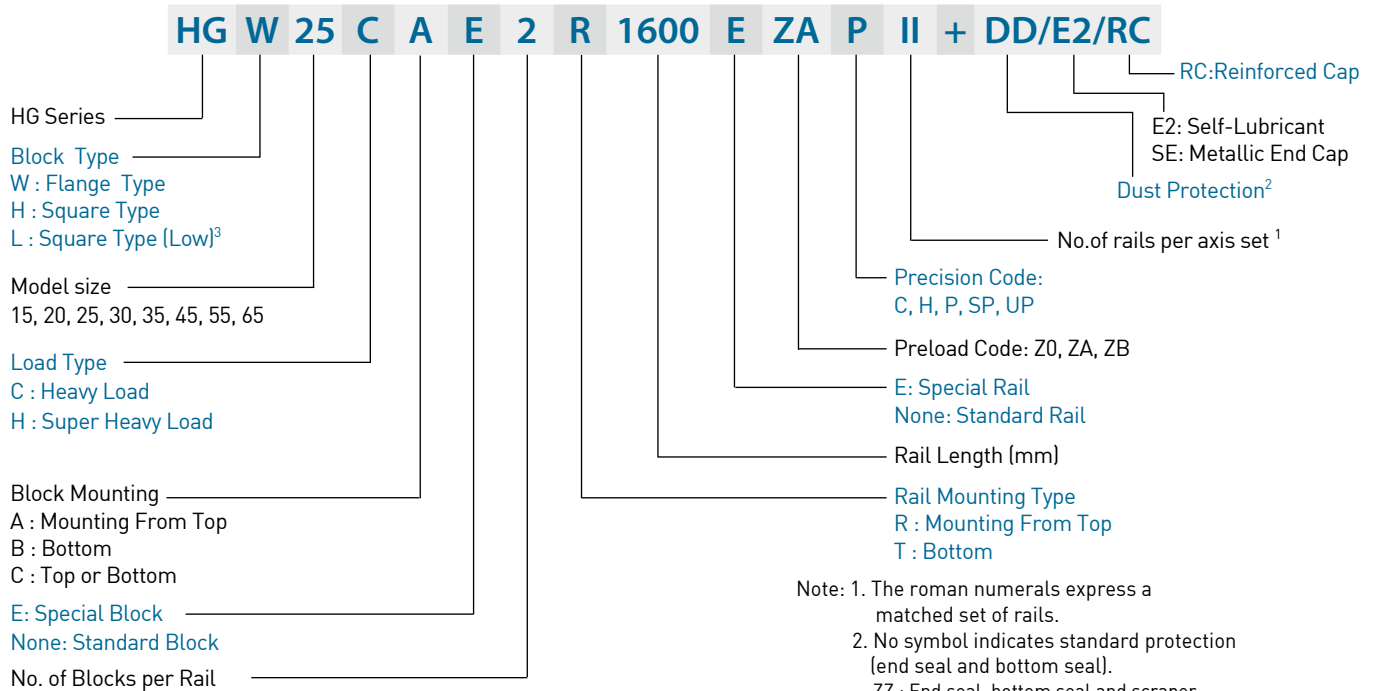


- Rolling circulation system: Block, Rail, End Cap and Retainer
- Lubrication system: Grease Nipple and Piping Joint
- Dust protection system: End seal, Bottom Seal, Bolt Cap, Double Seals and Scraper

### 2-1-3 Model Number of HG Series

HG series guideways can be classified into non-interchangeable and interchangeable types. The sizes are identical. The only difference between the two types is that the interchangeable type of blocks and rails can be freely exchanged, and their accuracy can reach up to P class. The model number of HG series contains the size, type, accuracy class, preload class, etc..

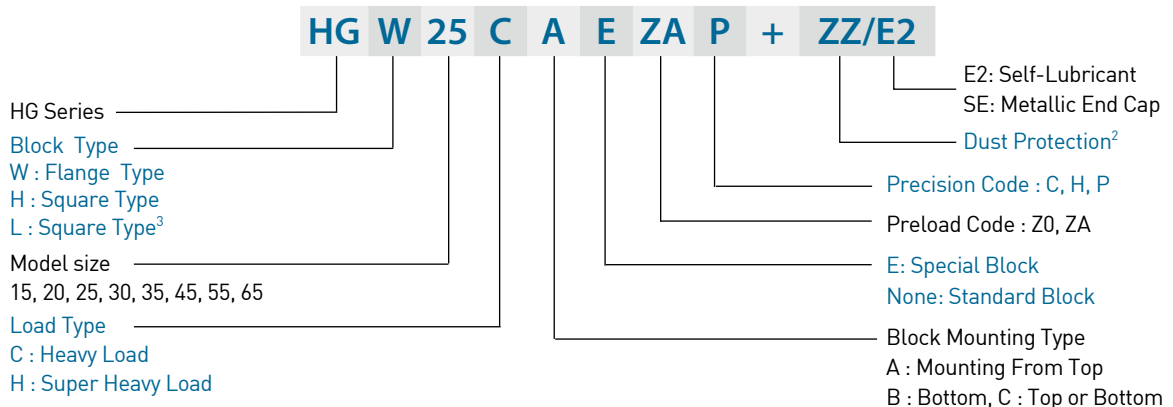
(1) Non-interchangeable type



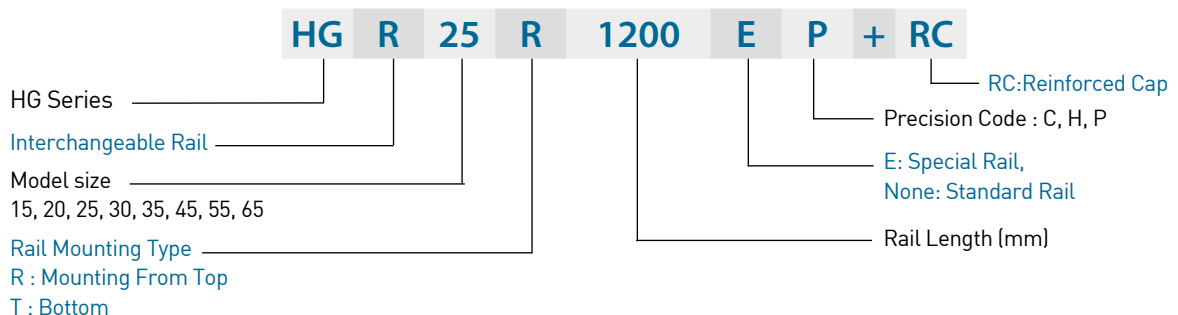
- Note: 1. The roman numerals express a matched set of rails.  
 2. No symbol indicates standard protection (end seal and bottom seal).  
 ZZ : End seal, bottom seal and scraper  
 KK: Double seals, bottom seal and scraper.  
 DD: Double seals and bottom seal  
 3. Block type HGL is the low profile design of HGH (square type), the assembled height is same as HGW (flange type) in same size.

(2) Interchangeable type

○ Model Number of HG Block



○ Model Number of HG Rail





# HG Series

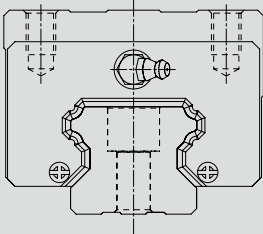
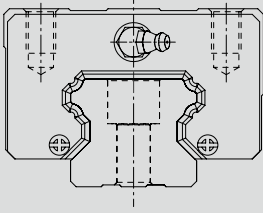
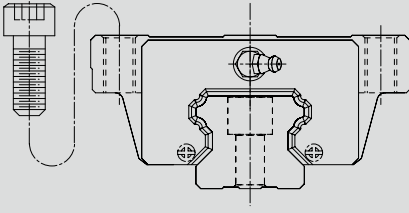
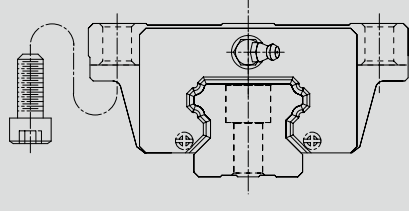
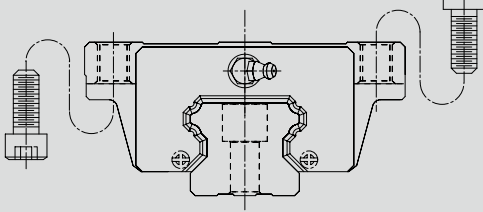
## Heavy Load Ball Type

### 2-1-4 Types

#### (1) Block types

There're two types of blocks: flange and square. The flange type is suitable for heavy moment load application because of the lower assembly height and wider mounting surface.

Table 2-1-1 Block Types

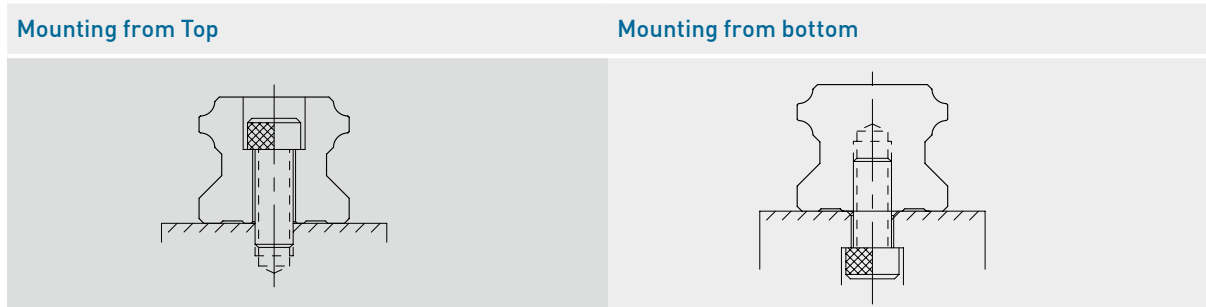
Type	Model	Shape	Height (mm)	Rail Length (mm)	Main Application
Square	HGH-CA HGH-HA		28 ↓ 90	100 ↓ 4000	<ul style="list-style-type: none"> <li>○ Machine Centers</li> <li>○ NC Lathes</li> <li>○ Grinding Machines</li> <li>○ Precision Machining Machines</li> <li>○ Heavy Cutting Machines</li> <li>○ Automation Devices</li> <li>○ Transportation Equipment</li> <li>○ Measuring Equipment</li> <li>○ Devices Requiring High Positional Accuracy</li> </ul>
	HGL-CA HGL-HA		24 ↓ 70	100 ↓ 4000	
Flange	HGW-CA HGW-HA		24 ↓ 90	100 ↓ 4000	
	HGW-CB HGW-HB		24 ↓ 90	100 ↓ 4000	
	HGW-CC HGW-HC		24 ↓ 90	100 ↓ 4000	

\*Please refer to the chapter 2-1-13 for the dimensional detail.

**(2) Rail types**

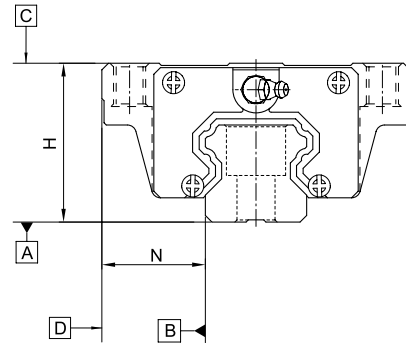
Besides the standard top mounting type, the bottom mounting type is also available.

Table 2-1-2 Rail Types



**2-1-5 Accuracy Classes**

The accuracy of HG series can be classified into normal (C), high (H), precision (P), super precision (SP), ultra precision (UP), five classes. Please choose the class by referring the accuracy of applied equipment.



**(1) Accuracy of non-interchangeable guideways**

Table 2-1-3 Accuracy Standards

Unit: mm

Item	HG - 15, 20				
	Normal (C)	High (H)	Precision (P)	Super Precision (SP)	Ultra Precision (UP)
Dimensional tolerance of height H	± 0.1	± 0.03	0 - 0.03	0 - 0.015	0 - 0.008
Dimensional tolerance of width N	± 0.1	± 0.03	0 - 0.03	0 - 0.015	0 - 0.008
Variation of height H	0.02	0.01	0.006	0.004	0.003
Variation of width N	0.02	0.01	0.006	0.004	0.003
Running parallelism of block surface C to surface A	See Table 2-1-11				
Running parallelism of block surface D to surface B	See Table 2-1-11				

Table 2-1-4 Accuracy Standards

Unit: mm

Item	HG - 25, 30, 35				
	Normal (C)	High (H)	Precision (P)	Super Precision (SP)	Ultra Precision (UP)
Dimensional tolerance of height H	± 0.1	± 0.04	0 - 0.04	0 - 0.02	0 - 0.01
Dimensional tolerance of width N	± 0.1	± 0.04	0 - 0.04	0 - 0.02	0 - 0.01
Variation of height H	0.02	0.015	0.007	0.005	0.003
Variation of width N	0.03	0.015	0.007	0.005	0.003
Running parallelism of block surface C to surface A	See Table 2-1-11				
Running parallelism of block surface D to surface B	See Table 2-1-11				

## HG Series

### Heavy Load Ball Type

Table 2-1-5 Accuracy Standards

Unit: mm

Item	HG - 45, 55				
Accuracy Classes	Normal (C)	High (H)	Precision (P)	Super Precision (SP)	Ultra Precision (UP)
Dimensional tolerance of height H	± 0.1	± 0.05	0 - 0.05	0 - 0.03	0 - 0.02
Dimensional tolerance of width N	± 0.1	± 0.05	0 - 0.05	0 - 0.03	0 - 0.02
Variation of height H	0.03	0.015	0.007	0.005	0.003
Variation of width N	0.03	0.02	0.01	0.007	0.005
Running parallelism of block surface C to surface A	See Table 2-1-11				
Running parallelism of block surface D to surface B	See Table 2-1-11				

Table 2-1-6 Accuracy Standards

Unit: mm

Item	HG - 65				
Accuracy Classes	Normal (C)	High (H)	Precision (P)	Super Precision (SP)	Ultra Precision (UP)
Dimensional tolerance of height H	± 0.1	± 0.07	0 - 0.07	0 - 0.05	0 - 0.03
Dimensional tolerance of width N	± 0.1	± 0.07	0 - 0.07	0 - 0.05	0 - 0.03
Variation of height H	0.03	0.02	0.01	0.007	0.005
Variation of width N	0.03	0.025	0.015	0.01	0.007
Running parallelism of block surface C to surface A	See Table 2-1-11				
Running parallelism of block surface D to surface B	See Table 2-1-11				

### (2) Accuracy of interchangeable guideways

Table 2-1-7 Accuracy Standards

Unit: mm

Item	HG - 15, 20		
Accuracy Classes	Normal (C)	High (H)	Precision (P)
Dimensional tolerance of height H	± 0.1	± 0.03	± 0.015
Dimensional tolerance of width N	± 0.1	± 0.03	± 0.015
Variation of height H	0.02	0.01	0.006
Variation of width N	0.02	0.01	0.006
Running parallelism of block surface C to surface A	See Table 2-1-11		
Running parallelism of block surface D to surface B	See Table 2-1-11		

Table 2-1-8 Accuracy Standards

Unit: mm

Item	HG - 25, 30, 35		
Accuracy Classes	Normal (C)	High (H)	Precision (P)
Dimensional tolerance of height H	± 0.1	± 0.04	± 0.02
Dimensional tolerance of width N	± 0.1	± 0.04	± 0.02
Variation of height H	0.02	0.015	0.007
Variation of width N	0.03	0.015	0.007
Running parallelism of block surface C to surface A	See Table 2-1-11		
Running parallelism of block surface D to surface B	See Table 2-1-11		

Table 2-1-9 Accuracy Standards

Unit: mm

Item	HG - 45, 55		
Accuracy Classes	Normal (C)	High (H)	Precision (P)
Dimensional tolerance of height H	± 0.1	± 0.05	± 0.025
Dimensional tolerance of width N	± 0.1	± 0.05	± 0.025
Variation of height H	0.03	0.015	0.007
Variation of width N	0.03	0.02	0.01
Running parallelism of block surface C to surface A	See Table 2-1-11		
Running parallelism of block surface D to surface B	See Table 2-1-11		

Table 2-1-10 Accuracy Standards

Unit: mm

Item	HG - 65		
Accuracy Classes	Normal (C)	High (H)	Precision (P)
Dimensional tolerance of height H	± 0.1	± 0.07	± 0.035
Dimensional tolerance of width N	± 0.1	± 0.07	± 0.035
Variation of height H	0.03	0.02	0.01
Variation of width N	0.03	0.025	0.015
Running parallelism of block surface C to surface A	See Table 2-1-11		
Running parallelism of block surface D to surface B	See Table 2-1-11		

### (3) Accuracy of running parallelism

Table 2-1-11 Accuracy of Running Parallelism

Rail Length (mm)	Accuracy (μm)				
	C	H	P	SP	UP
~ 100	12	7	3	2	2
100 ~ 200	14	9	4	2	2
200 ~ 300	15	10	5	3	2
300 ~ 500	17	12	6	3	2
500 ~ 700	20	13	7	4	2
700 ~ 900	22	15	8	5	3
900 ~ 1,100	24	16	9	6	3
1,100 ~ 1,500	26	18	11	7	4
1,500 ~ 1,900	28	20	13	8	4
1,900 ~ 2,500	31	22	15	10	5
2,500 ~ 3,100	33	25	18	11	6
3,100 ~ 3,600	36	27	20	14	7
3,600 ~ 4,000	37	28	21	15	7

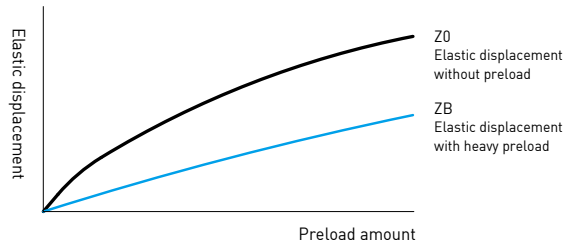
# HG Series

## Heavy Load Ball Type

### 2-1-6 Preload

#### (1) Definition

A preload can be applied to each guideway. Oversized balls are used. Generally, a linear motion guideway has a negative clearance between groove and balls in order to improve stiffness and maintain high precision. The figure shows the load is multiplied by the preload, the rigidity is doubled and the deflection is reduced by one half. The preload no larger than ZA would be recommended for the model size under HG20 to avoid an over-preload affecting the guideway's life.



#### (2) Preload classes

HIWIN offers three classes of standard preload for various applications and conditions.

Table 2-1-12 Preload Classes

Class	Code	Preload	Condition	Examples of Application
Light Preload	Z0	0~0.02C	Certain load direction, low impact, low precision required	Transportation devices, auto-packing machines, X-Y axis for general industrial machines, welding machines, welders
Medium Preload	ZA	0.05C~0.07C	High precision required	Machining centers, Z axis for general industrial machines, EDM, NC lathes, Precision X-Y tables, measuring equipment
Heavy Preload	ZB	0.10C~0.12C	High rigidity required, with vibration and impact	Machining centers, grinding machines, NC lathes, horizontal and vertical milling machines, Z axis of machine tools, Heavy cutting machines

Class	Interchangeable Guideway	Non-Interchangeable Guideway
Preload classes	Z0, ZA	Z0, ZA, ZB

Note: The "C" in the preload column denotes basic dynamic load rating.

### 2-1-7 Lubrication

#### (1) Grease

- Grease nipple

	<p>M6x0.75P HG20 HG25 HG30 HG35 NO.34320001</p>	<p>PT1/8 HG45 HG55 HG65 NO.34320003</p>
<p>M4x0.7P HG15 NO.34310002</p>	<p>M6x0.75P HG20 HG25 HG30 HG35 NO.34310003(OPTION)</p>	<p>PT 1/8 HG45 HG55 HG65 NO.3431000B(OPTION)</p>

○ Mounting location

The standard location of the grease fitting is at both ends of the block, but the nipple can be mounted at each side of block. For lateral installation, we recommend that the nipple be mounted at the non-reference side, otherwise please contact us. It is possible to perform lubrication by using the oil-piping joint.

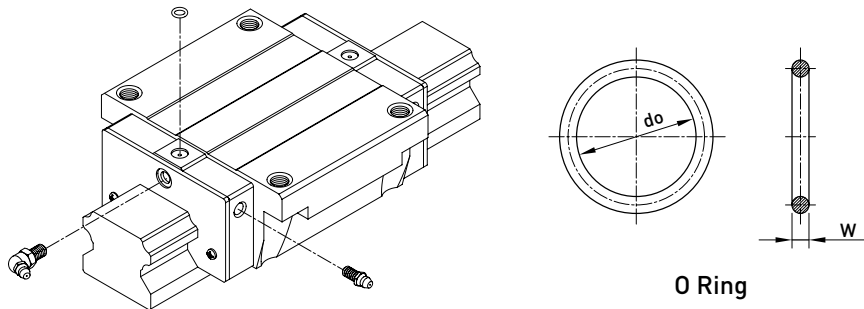
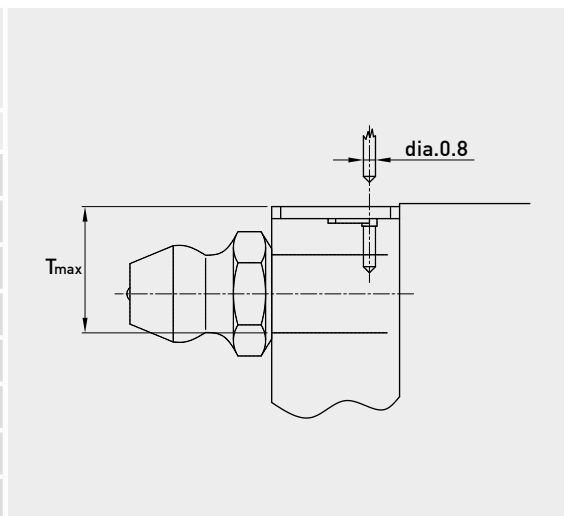


Table 2-1-13 O-Ring size and max. permissible depth for piercing

Size	O-Ring		Lube hole at top: max. permissible depth for piercing
	do (mm)	W (mm)	T <sub>max</sub> (mm)
HG15	2.5±0.15	1.5±0.15	3.75
HG20	4.5±0.15	1.5±0.15	5.7
HG25	4.5±0.15	1.5±0.15	5.8
HG30	4.5±0.15	1.5±0.15	6.3
HG35	4.5±0.15	1.5±0.15	8.8
HG45	4.5±0.15	1.5±0.15	8.2
HG55	4.5±0.15	1.5±0.15	11.8
HG65	4.5±0.15	1.5±0.15	10.8



○ The lubricant amount for a block filled with grease

Table 2-1-14 The lubricant Amount for a Block Filled with Grease

Size	Heavy load (cm <sup>3</sup> )	Super heavy load (cm <sup>3</sup> )	Size	Heavy load (cm <sup>3</sup> )	Super heavy load (cm <sup>3</sup> )
HG15	1	-	HG35	10	12
HG20	2	3	HG45	17	21
HG25	5	6	HG55	26	33
HG30	7	8	HG65	50	61

○ Frequency of replenishment

Check the grease every 100 km, or every 3-6 months.

# HG Series

## Heavy Load Ball Type

### (2) Oil

The recommended viscosity of oil is about 30-150cSt. If customers need to use oil-type lubrication, please inform us.

### Types of oil piping joint

<p>LF-64</p> <p>NO.97000EA1 HG15</p>	<p>LF-76</p> <p>NO.970002A1 HG20 HG25 HG30 HG35</p>	<p>LF-78</p> <p>NO.970006A1 HG45 HG55 HG65</p>
<p>SF-64</p> <p>NO.97001TA1 HG15</p>	<p>LF-86</p> <p>NO.970004A1 HG20 HG25 HG30 HG35</p>	<p>LF-88</p> <p>NO.970008A1 HG45 HG55 HG65</p>
<p>SF-76</p> <p>NO.970001A1 HG20 HG25 HG30 HG35</p>	<p>SF-78</p> <p>NO.970005A1 HG45 HG55 HG65</p>	<p>SF-86</p> <p>NO.970003A1 HG20 HG25 HG30 HG35</p>
<p>SF-88</p> <p>NO.970007A1 HG45 HG55 HG65</p>	<p>SF-88</p> <p>NO.970007A1 HG45 HG55 HG65</p>	<p>SF-88</p> <p>NO.970007A1 HG45 HG55 HG65</p>

○ Oil refilling rate

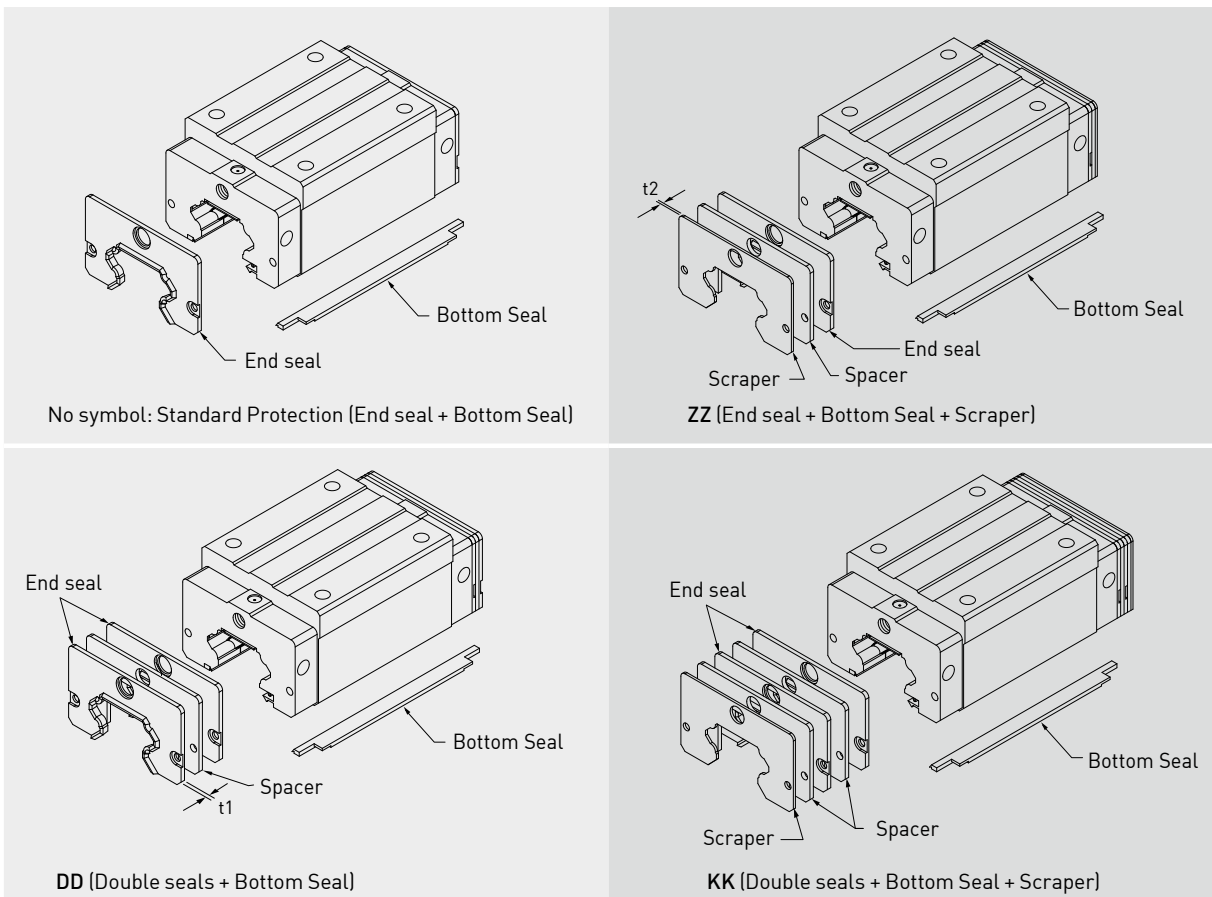
Table 2-1-15

Size	Refilling rate (cm <sup>3</sup> /hr)	Size	Refilling rate (cm <sup>3</sup> /hr)
HG15	0.2	HG35	0.3
HG20	0.2	HG45	0.4
HG25	0.3	HG55	0.5
HG30	0.3	HG65	0.6

## 2-1-8 Dust Proof Accessories

### (1) Codes of standard dust proof accessories

If the following accessories are needed, please add the code followed by the model number.



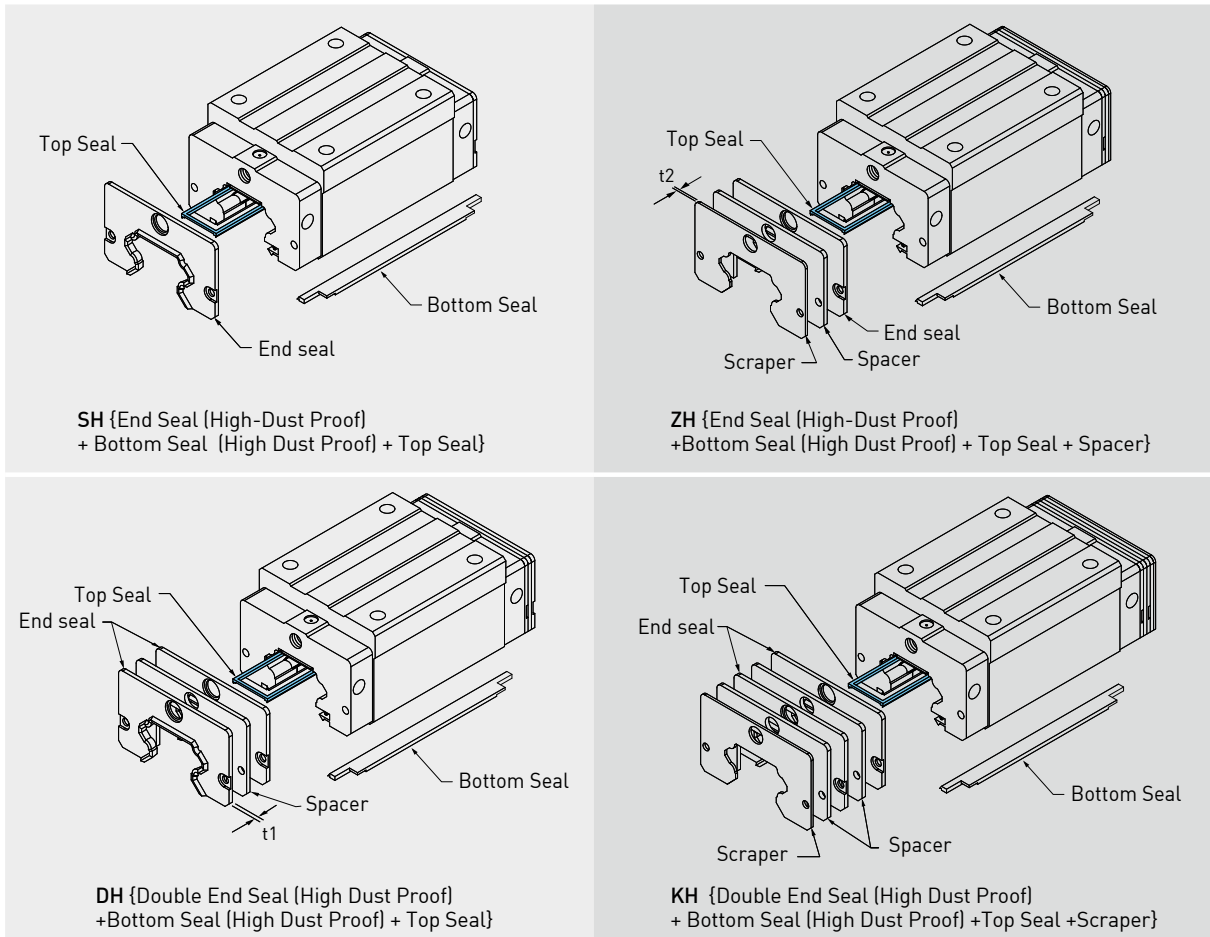


## HG Series

### Heavy Load Ball Type

#### (2) Codes of high-dust proof accessories

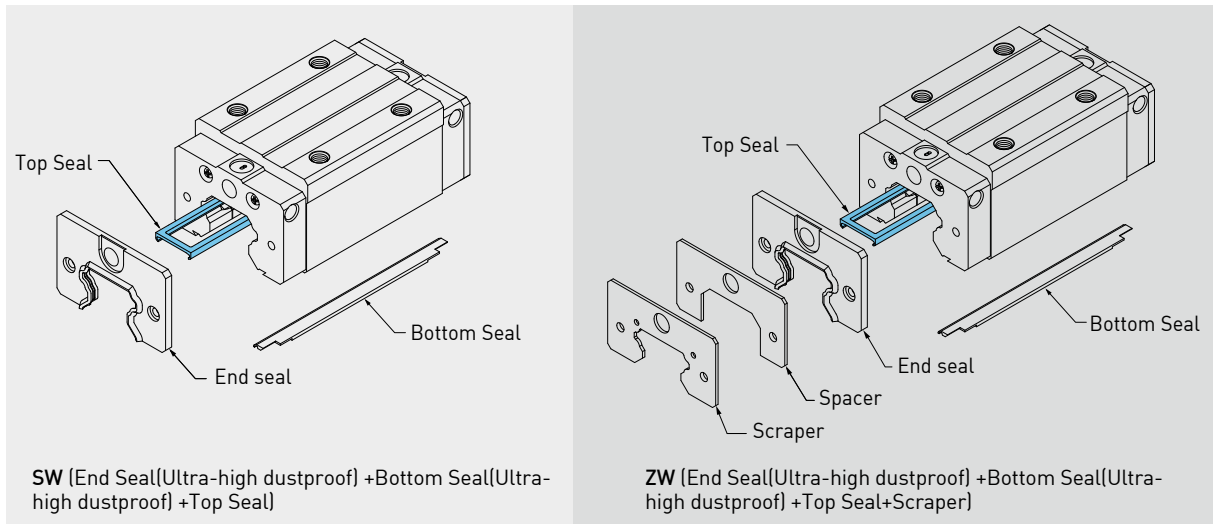
HIWIN develops many kinds of dust proof accessories for different application and working environment to avoid dust or debris. If the following accessories are needed, please add the code followed by the model number.



Note: 1. The available size for high dust proof accessories are HG20(C/H), 25(C/H), 30(C/H), 35(C/H) and 45C.  
2. The value of friction force will increase 0.6-1.2 kgf.

### (3) Codes of ultra-high dust proof accessories

Hiwin has developed high dust proof accessories which is used for environment that is full of dust and particle, such as wood working machinery and glass/stone machining equipment. These accessories show high performance of dust proof. If accessories are needed, please add the code followed by the model number.



Note : 1. The available size for high dust proof accessories are HG15C, HG20(C/H), HG30(C/H), HG35(C/H), HG45(C/H).  
2. The value of friction force will increase 1.5~4.0 kgf.

### (4) Function of dust proof accessories

#### ○ End seal and bottom seal

To prevent life reduction caused by iron chips or dust entering the block.

#### ○ Double seals

Enhances the wiping effect, foreign matter can be completely wiped off.

Table 2-1-16 Dimensions of end seal

Size	Thickness (t1) (mm)	Size	Thickness (t1) (mm)
HG15 ES	3	HG35 ES	3.2
HG20 ES	3.5	HG45 ES	4.5
HG25 ES	3.5	HG55 ES	4.5
HG30 ES	3.2	HG65 ES	6

#### ○ Scraper

The scraper removes high-temperature iron chips and larger foreign objects.

Table 2-1-17 Dimensions of scraper

Size	Thickness (t2) (mm)	Size	Thickness (t2) (mm)
HG15 SC	1.5	HG35 SC	1.5
HG20 SC	1.5	HG45 SC	1.5
HG25 SC	1.5	HG55 SC	1.5
HG30 SC	1.5	HG65 SC	1.5

#### ○ Top Seal

Top seal can efficiently avoid dust from the surface of rail or tapping hole getting inside the block.

## HG Series

### Heavy Load Ball Type

#### ○ Bolt caps for rail mounting holes

Caps are used to cover the mounting holes to prevent chips or other foreign objects from collecting in the holes. The caps will be enclosed in each rail package.

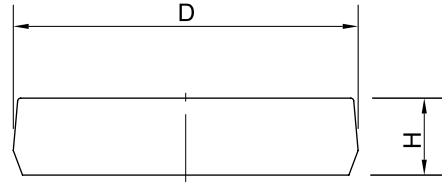


Table 2-1-18 Dimensions of Bolt Caps for Rail Mounting Holes

Rail size	Bolt size	Diameter(D) (mm)	Thickness(H) (mm)	Rail size	Bolt size	Diameter(D) (mm)	Thickness(H) (mm)
HGR15	M4	7.65	1.1	HGR35	M8	14.25	3.3
HGR20	M5	9.65	2.2	HGR45	M12	20.25	4.6
HGR25	M6	11.20	2.5	HGR55	M14	23.50	5.5
HGR30	M8	14.25	3.3	HGR65	M16	26.60	5.5

(5) Dimensions of block equipped with the dustproof parts

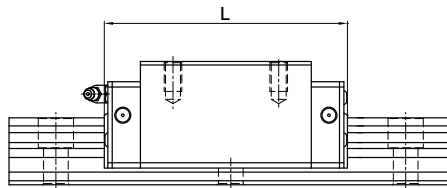


Table 2-1-19 Overall block length

unit: mm

Size	Overall block length (L)					
	Standard/SH	ZZ/ZH	DD/DH	KK/KH	SW	ZW
HG15C	61.4	69	68	75.6	63.2	71
*HG20C	77.5	82.5	82.5	87.5	78.5	86.3
*HG20H	92.2	97.2	97.5	102.2	93.2	101
*HG25C	84	89	89	94	85	92.8
*HG25H	104.6	109.6	109.6	114.6	105.6	113.4
*HG30C	97.4	105.4	104.8	112.8	99	107.2
*HG30H	120.4	128.4	127.8	135.8	122	99.6
*HG35C	112.4	120.4	119.8	127.8	115.2	123.4
*HG35H	138.2	146.2	145.6	153.6	141	149.2
*HG45C	139.4	150	149.4	160	140	148.8
HG45H	171.2	181.8	181.2	191.8	171.8	180.6
HG55C	166.7	177.1	177.1	187.5	-	-
HG55H	204.8	215.2	215.2	225.5	-	-
HG65C	200.2	208.2	209.2	217.2	-	-
HG65H	259.6	267.6	268.6	276.6	-	-

Note : For the marking of "\*\*", it means this specification is available for SH/ZH/DH/KH dust proof accessories.

## 2-1-9 Friction

The maximum value of resistance per end seal are as shown in the table.

Table 2-1-20 Seal Resistance

Size	Resistance N (kgf)	Size	Resistance N (kgf)
HG15	1.18 [0.12]	HG35	3.04 [0.31]
HG20	1.57 [0.16]	HG45	3.83 [0.39]
HG25	1.96 [0.2]	HG55	4.61 [0.47]
HG30	2.65 [0.27]	HG65	5.79 [0.59]

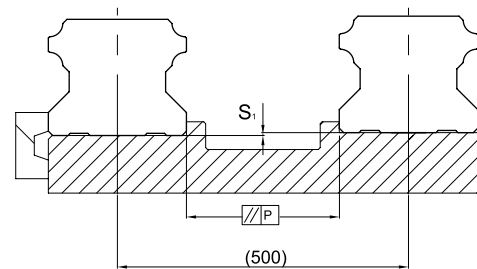
Note: 1kgf=9.81N

## 2-1-10 The Accuracy Tolerance of Mounting Surface

### (1) The accuracy tolerance of rail-mounting surface

Because of the Circular-arc contact design, the HG linear guideway can compensate for some surface-error on installation and still maintain smooth linear motion.

As long as the accuracy requirements for the mounting surface are followed, high accuracy and rigidity of linear motion of the guideway can be obtained without any difficulty. In order to satisfy the needs of fast installation and smooth movement, HIWIN offers the normal clearance type of preload to customers of its high absorption ability of the deviation in mounting surface accuracy.



### (2) The parallelism tolerance of reference surface (P)

Table 2-1-21 Max. Parallelism Tolerance (P)

unit:  $\mu\text{m}$

Size	Preload classes		
	Z0	ZA	ZB
HG15	25	18	-
HG20	25	20	18
HG25	30	22	20
HG30	40	30	27
HG35	50	35	30
HG45	60	40	35
HG55	70	50	45
HG65	80	60	55

### (3) The accuracy tolerance of reference surface height

Table 2-1-22 Max. Tolerance of Reference Surface Height ( $S_1$ )

unit:  $\mu\text{m}$

Size	Preload classes		
	Z0	ZA	ZB
HG15	130	85	-
HG20	130	85	50
HG25	130	85	70
HG30	170	110	90
HG35	210	150	120
HG45	250	170	140
HG55	300	210	170
HG65	350	250	200

## HG Series

### Heavy Load Ball Type

#### 2-1-11 Cautions for Installation

##### (1) Shoulder heights and fillets

Improper shoulder heights and fillets of mounting surfaces will cause a deviation in accuracy and the interference with the chamfered part of the rail or block. As long as the recommended shoulder heights and fillets are followed, installation inaccuracies should be eliminated.

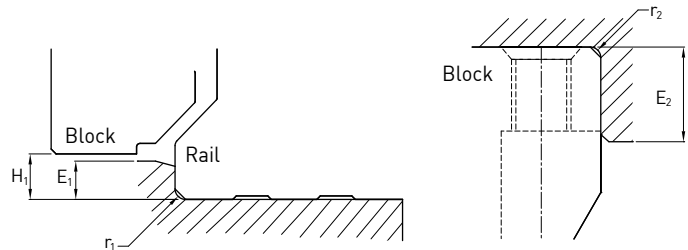


Table 2-1-23 Shoulder Heights and Fillets

Size	Max. radius of fillets $r_1$ (mm)	Max. radius of fillets $r_2$ (mm)	Shoulder height of the rail $E_1$ (mm)	Shoulder height of the block $E_2$ (mm)	Clearance under block $H_1$ (mm)
HG15	0.5	0.5	3	4	4.3
HG20	0.5	0.5	3.5	5	4.6
HG25	1.0	1	5	5	5.5
HG30	1.0	1	5	5	6
HG35	1.0	1	6	6	7.5
HG45	1.0	1	8	8	9.5
HG55	1.5	1.5	10	10	13
HG65	1.5	1.5	10	10	15

##### (2) Tightening Torque of Bolts for Installation

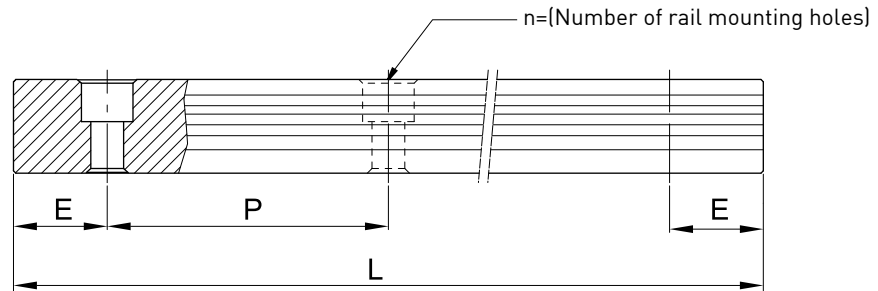
Improper tightening of bolts will seriously influence the accuracy of Linear Guideway installation. The following tightening torques for different sizes of bolts are recommended.

Table 2-1-24 Mounting Torque

Size	Bolt size	Torque N-cm (kgf-cm)		
		Iron	Casting	Aluminum
HG15	M4×0.7P×16L	392 (40)	274 (28)	206 (21)
HG20	M5×0.8P×16L	883 (90)	588 (60)	441 (45)
HG25	M6×1P×20L	1373 (140)	921 (94)	686 (70)
HG30	M8×1.25P×25L	3041 (310)	2010 (205)	1470 (150)
HG35	M8×1.25P×25L	3041 (310)	2010 (205)	1470 (150)
HG45	M12×1.75P×35L	11772 (1200)	7840 (800)	5880 (600)
HG55	M14×2P×45L	15696 (1600)	10500 (1100)	7840 (800)
HG65	M16×2P×50L	19620 (2000)	13100 (1350)	9800 (1000)

## 2-1-12 Standard and Maximum Lengths of Rail

HIWIN offers standard rail lengths for customer needs. For non-standard E-values, the recommended dimension should no greater than 1/2 of the pitch (P) dimension. This will prevent an unstable rail end.



$$L = (n - 1) \times P + 2 \times E \quad \text{Eq.2.1}$$

L : Total length of rail (mm)

n : Number of mounting holes

P : Distance between any two holes (mm)

E : Distance from the center of the last hole to the edge (mm)

Table 2-1-25 Rail Standard Length and Max. Length

unit: mm

Item	HG15	HG20	HG25	HG30	HG35	HG45	HG55	HG65
Standard Length L(n)	160 (3)	220 (4)	220 (4)	280 (4)	280 (4)	570 (6)	780 (7)	1,270 (9)
	220 (4)	280 (5)	280 (5)	440 (6)	440 (6)	885 (9)	1,020 (9)	1,570 (11)
	280 (5)	340 (6)	340 (6)	600 (8)	600 (8)	1,200 (12)	1,260 (11)	2,020 (14)
	340 (6)	460 (8)	460 (8)	760 (10)	760 (10)	1,620 (16)	1,500 (13)	2,620 (18)
	460 (8)	640 (11)	640 (11)	1,000 (13)	1,000 (13)	2,040 (20)	1,980 (17)	
	640 (11)	820 (14)	820 (14)	1,640 (21)	1,640 (21)	2,460 (24)	2,580 (22)	
	820 (14)	1,000 (17)	1,000 (17)	2,040 (26)	2,040 (26)	2,985 (29)	2,940 (25)	
		1,240 (21)	1,240 (21)	2,520 (32)	2,520 (32)			
		1,600 (27)	3,000 (38)	3,000 (38)				
Pitch (P)	60	60	60	80	80	105	120	150
Distance to End (E <sub>s</sub> )	20	20	20	20	20	22.5	30	35
Max. Standard Length	1,960 (33)	4,000 (67)	4,000 (67)	3,960 (50)	3,960 (50)	3,930 (38)	3,900 (33)	3,970 (27)
Max. Length	2,000	4,000	4,000	4,000	4,000	4,000	4,000	4,000

Note : 1. Tolerance of E value for standard rail is 0.5~-0.5 mm. Tolerance of E value for jointed rail is 0~-0.3 mm.

2. Maximum standard length means the max. rail length with standard E value on both sides.

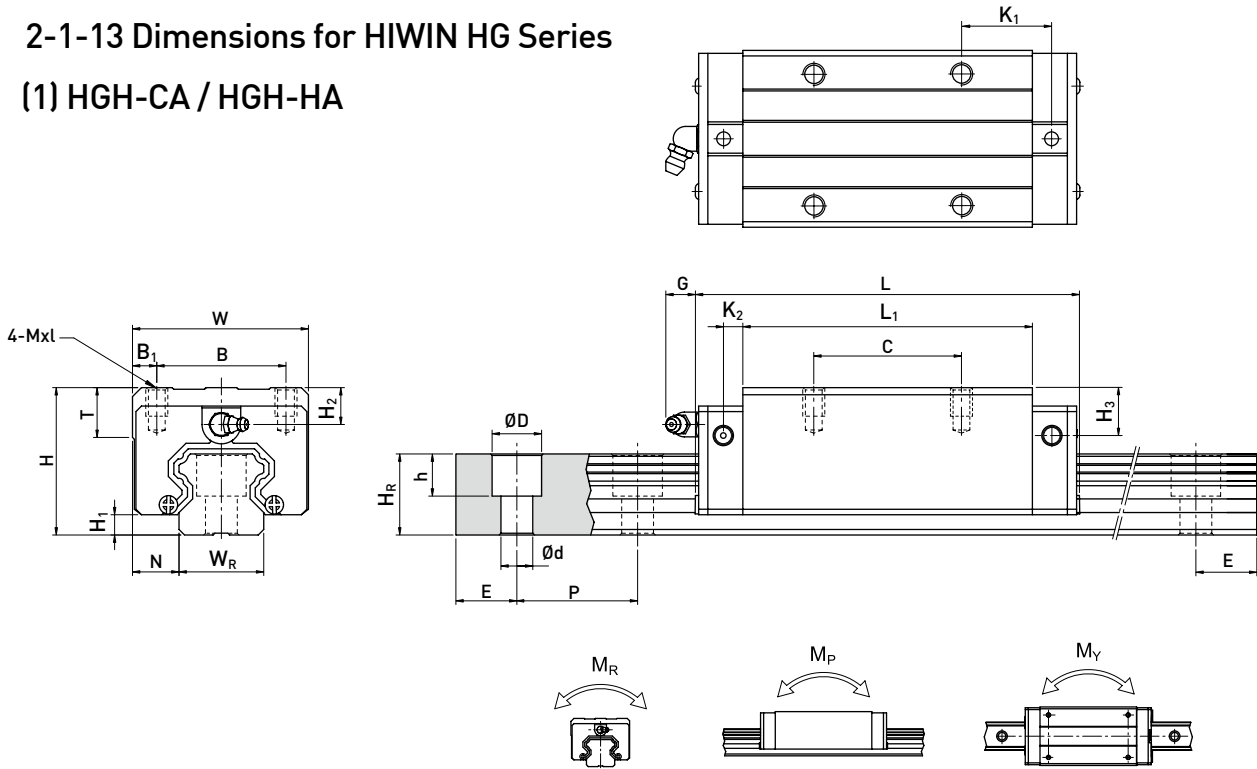
3. If different E value is needed, please contact HIWIN.

# HG Series

## Heavy Load Ball Type

### 2-1-13 Dimensions for HIWIN HG Series

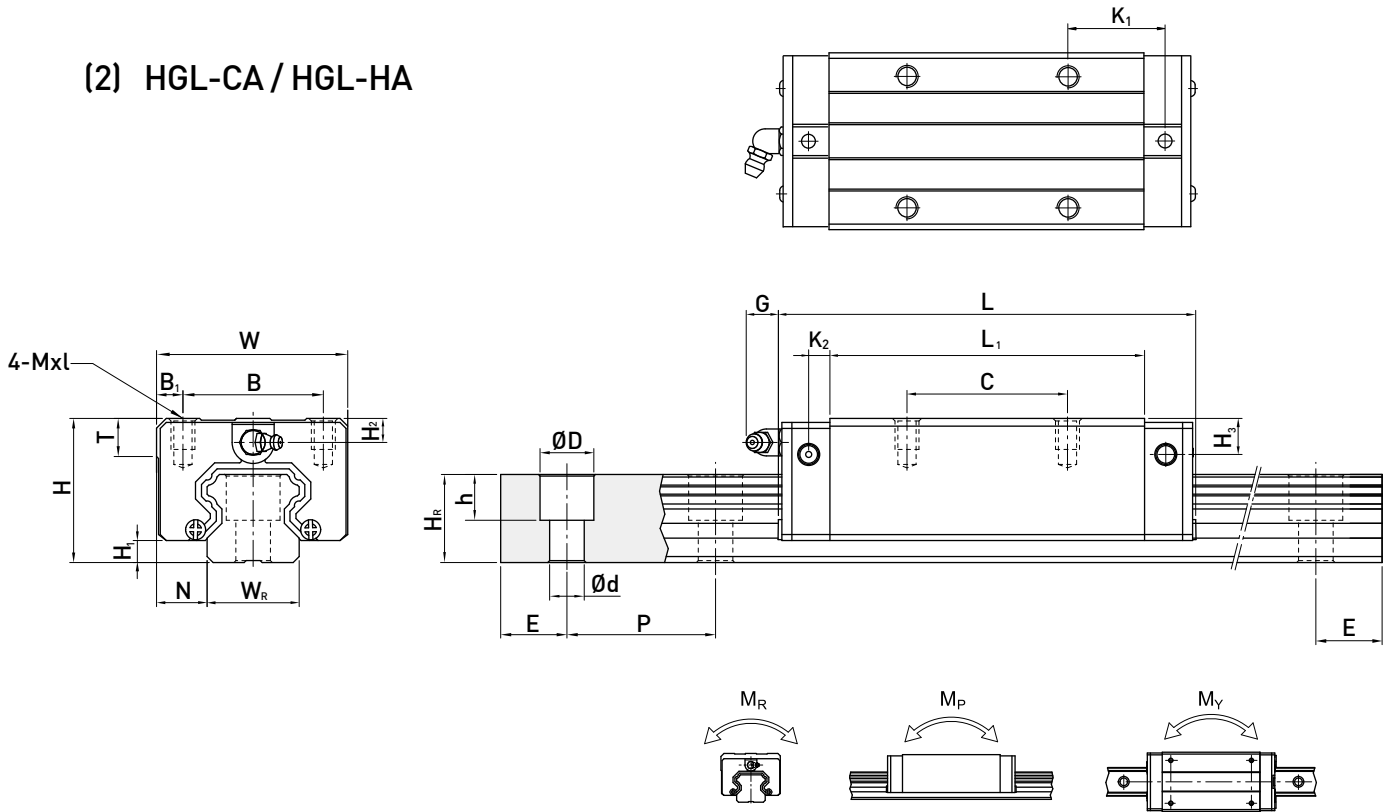
#### (1) HGH-CA / HGH-HA



Model No.	Dimensions of Assembly (mm)		Dimensions of Block (mm)										Dimensions of Rail (mm)						Mounting Bolt for Rail (mm)	Basic Dynamic Load Rating C (kN)	Basic Static Load Rating C <sub>0</sub> (kN)	Static Rated Moment			Weight						
	H	H <sub>1</sub>	N	W	B	B <sub>1</sub>	C	L <sub>1</sub>	L	K <sub>1</sub>	K <sub>2</sub>	G	Mxl	T	H <sub>2</sub>	H <sub>3</sub>	W <sub>R</sub>	H <sub>R</sub>				D	h	d	P	E	M <sub>R</sub>	M <sub>P</sub>	M <sub>Y</sub>	Block kg	Rail kg/m
	kN-m		kN-m		kN-m		kg		kg/m																						
HGH15CA	28	4.3	9.5	34	26	4	26	39.4	61.4	10	4.85	5.3	M4x5	6	7.95	7.7	15	15	7.5	5.3	4.5	60	20	M4x16	11.38	16.97	0.12	0.10	0.10	0.18	1.45
HGH20CA	30	4.6	12	44	32	6	36	50.5	77.5	12.25	6	12	M5x6	8	6	6	20	17.5	9.5	8.5	6	60	20	M5x16	17.75	27.76	0.27	0.20	0.20	0.30	2.21
HGH20HA							50	65.2	92.2	12.6															21.18	35.90	0.35	0.35	0.35	0.39	
HGH25CA	40	5.5	12.5	48	35	6.5	35	58	84	15.7	6	12	M6x8	8	10	9	23	22	11	9	7	60	20	M6x20	26.48	36.49	0.42	0.33	0.33	0.51	3.21
HGH25HA							50	78.6	104.6	18.5															32.75	49.44	0.56	0.57	0.57	0.69	
HGH30CA	45	6	16	60	40	10	40	70	97.4	20.25	6	12	M8x10	8.5	9.5	13.8	28	26	14	12	9	80	20	M8x25	38.74	52.19	0.66	0.53	0.53	0.88	4.47
HGH30HA							60	93	120.4	21.75															47.27	69.16	0.88	0.92	0.92	1.16	
HGH35CA	55	7.5	18	70	50	10	50	80	112.4	20.6	7	12	M8x12	10.2	16	19.6	34	29	14	12	9	80	20	M8x25	49.52	69.16	1.16	0.81	0.81	1.45	6.30
HGH35HA							72	105.8	138.2	22.5															60.21	91.63	1.54	1.40	1.40	1.92	
HGH45CA	70	9.5	20.5	86	60	13	60	97	139.4	23	10	12.9	M10x17	16	18.5	30.5	45	38	20	17	14	105	22.5	M12x35	77.57	102.71	1.98	1.55	1.55	2.73	10.41
HGH45HA							80	128.8	171.2	28.9															94.54	136.46	2.63	2.68	2.68	3.61	
HGH55CA	80	13	23.5	100	75	12.5	75	117.7	166.7	27.35	11	12.9	M12x18	17.5	22	29	53	44	23	20	16	120	30	M14x45	114.44	148.33	3.69	2.64	2.64	4.17	15.08
HGH55HA							95	155.8	204.8	36.4															139.35	196.20	4.88	4.57	4.57	5.49	
HGH65CA	90	15	31.5	126	76	25	70	144.2	200.2	43.1	14	12.9	M16x20	25	15	15	63	53	26	22	18	150	35	M16x50	163.63	215.33	6.65	4.27	4.27	7.00	21.18
HGH65HA							120	203.6	259.6	47.8															208.36	303.13	9.38	7.38	7.38	9.82	

Note : 1 kgf = 9.81 N

(2) HGL-CA / HGL-HA



Model No.	Dimensions of Assembly (mm)			Dimensions of Block (mm)													Dimensions of Rail (mm)				Mounting Bolt for Rail (mm)	Basic Dynamic Load Rating C (kN)	Basic Static Load Rating C <sub>0</sub> (kN)	Static Rated Moment			Weight				
	H	H <sub>1</sub>	N	W	B	B <sub>1</sub>	C	L <sub>1</sub>	L	K <sub>1</sub>	K <sub>2</sub>	G	Mxl	T	H <sub>2</sub>	H <sub>3</sub>	W <sub>R</sub>	H <sub>R</sub>	D	h				d	P	E	M <sub>R</sub>	M <sub>P</sub>	M <sub>Y</sub>	Block	Rail
	mm	mm	mm	mm	mm	mm	mm	mm	mm	mm	mm	mm	mm	mm	mm	mm	mm	mm	mm	mm				mm	mm	mm	kN-m	kN-m	kN-m	kg	kg/m
HGL15CA	24	4.3	9.5	34	26	4	26	39.4	61.4	10	4.85	5.3	M4x4	6	3.95	3.7	15	15	7.5	5.3	4.5	60	20	M4x16	11.38	16.97	0.12	0.10	0.10	0.14	1.45
HGL25CA	36	5.5	12.5	48	35	6.5	35	58	84	15.7	6	12	M6x6	8	6	5	23	22	11	9	7	60	20	M6x20	26.48	36.49	0.42	0.33	0.33	0.42	3.21
HGL25HA							50	78.6	104.6	18.5															32.75	49.44	0.56	0.57	0.57	0.57	
HGL30CA	42	6	16	60	40	10	40	70	97.4	20.25	6	12	M8x10	8.5	6.5	10.8	28	26	14	12	9	80	20	M8x25	38.74	52.19	0.66	0.53	0.53	0.78	4.47
HGL30HA							60	93	120.4	21.75															47.27	69.16	0.88	0.92	0.92	1.03	
HGL35CA	48	7.5	18	70	50	10	50	80	112.4	20.6	7	12	M8x12	10.2	9	12.6	34	29	14	12	9	80	20	M8x25	49.52	69.16	1.16	0.81	0.81	1.14	6.30
HGL35HA							72	105.8	138.2	22.5															60.21	91.63	1.54	1.40	1.40	1.52	
HGL45CA	60	9.5	20.5	86	60	13	60	97	139.4	23	10	12.9	M10x17	16	8.5	20.5	45	38	20	17	14	105	22.5	M12x35	77.57	102.71	1.98	1.55	1.55	2.08	10.41
HGL45HA							80	128.8	171.2	28.9															94.54	136.46	2.63	2.68	2.68	2.75	
HGL55CA	70	13	23.5	100	75	12.5	75	117.7	166.7	27.35	11	12.9	M12x18	17.5	12	19	53	44	23	20	16	120	30	M14x45	114.44	148.33	3.69	2.64	2.64	3.25	15.08
HGL55HA							95	155.8	204.8	36.4															139.35	196.20	4.88	4.57	4.57	4.27	

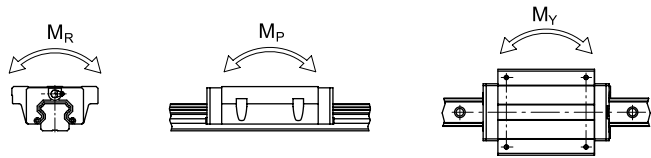
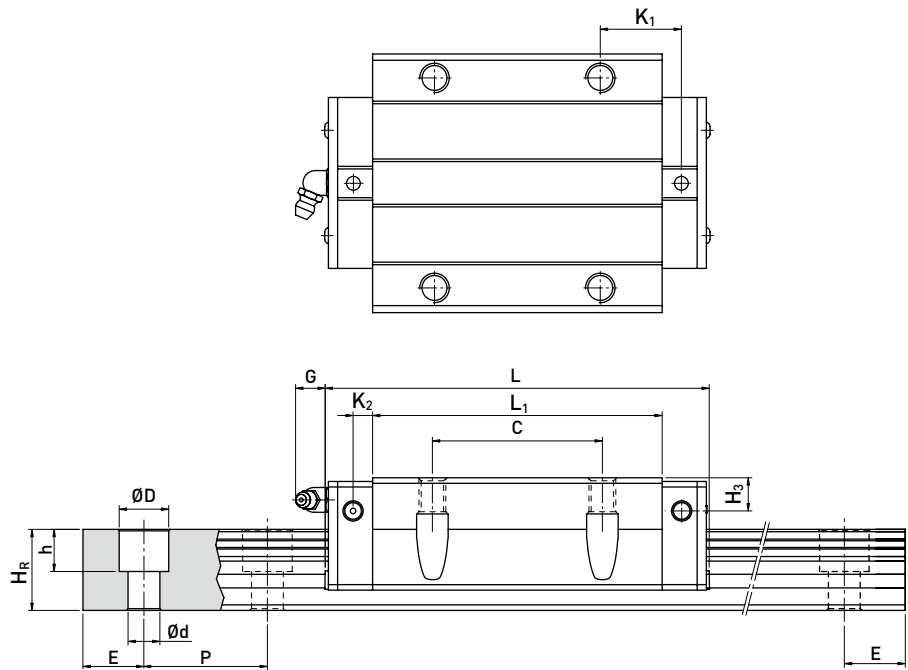
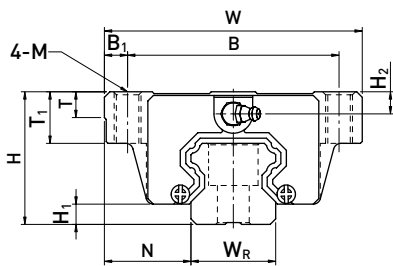
Note : 1 kgf = 9.81 N



# HG Series

## Heavy Load Ball Type

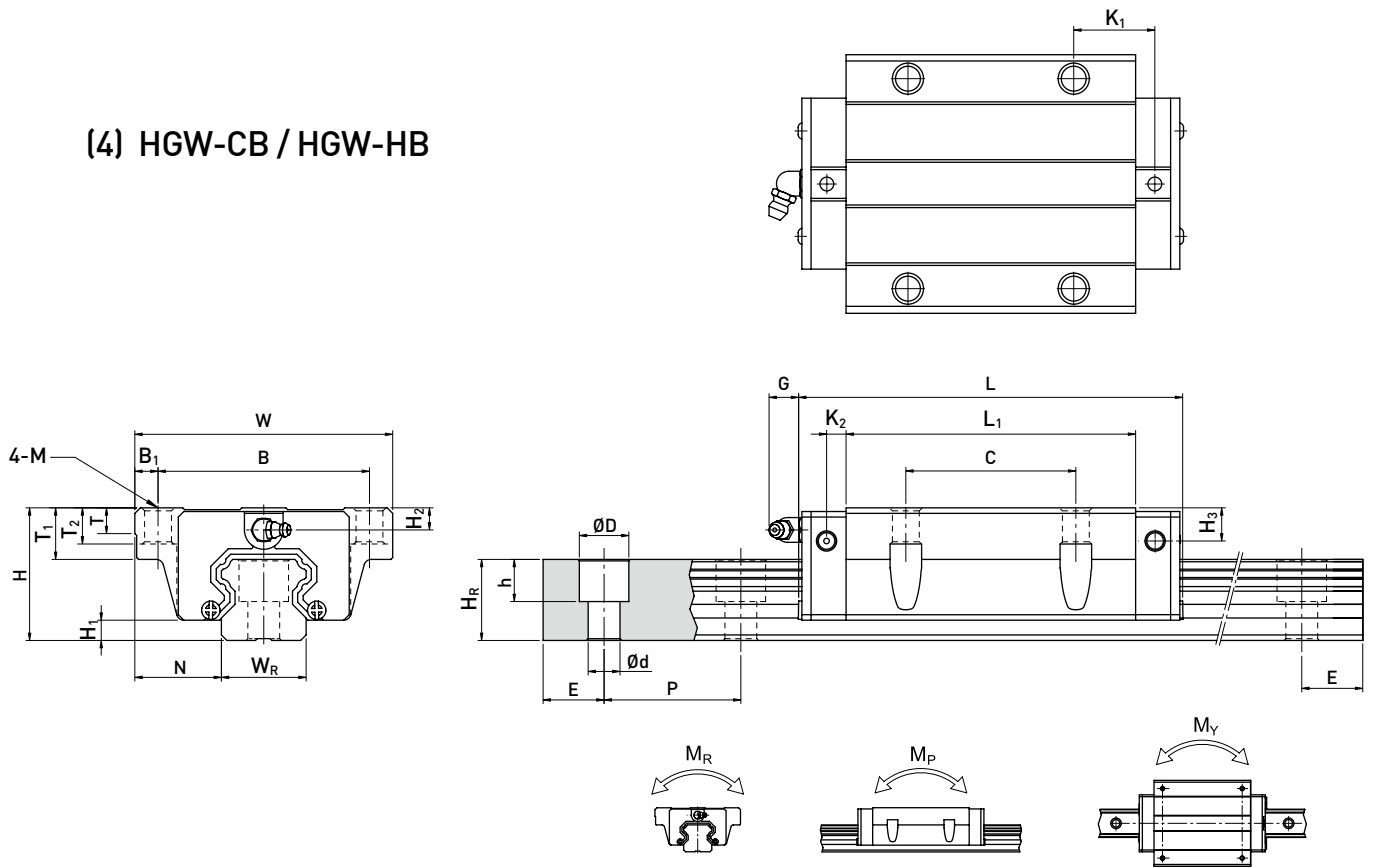
### (3) HGW-CA / HGW-HA



Model No.	Dimensions of Assembly (mm)		Dimensions of Block (mm)														Dimensions of Rail (mm)				Mounting Bolt for Rail (mm)	Basic Dynamic Load Rating C(kN)	Basic Static Load Rating C <sub>0</sub> (kN)	Static Rated Moment			Weight					
	H	H <sub>1</sub>	N	W	B	B <sub>1</sub>	C	L <sub>1</sub>	L	K <sub>1</sub>	K <sub>2</sub>	G	M	T	T <sub>1</sub>	H <sub>2</sub>	H <sub>3</sub>	W <sub>R</sub>	H <sub>R</sub>	D				h	d	P	E	M <sub>R</sub>	M <sub>P</sub>	M <sub>Y</sub>	Block kg	Rail kg/m
HGW15CA	24	4.3	16	47	38	4.5	30	39.4	61.4	8	4.85	5.3	M5	6	8.9	3.95	3.7	15	15	7.5	5.3	4.5	60	20	M4x16	11.38	16.97	0.12	0.10	0.10	0.17	1.45
HGW20CA	30	4.6	21.5	63	53	5	40	50.5	77.5	10.25	6	12	M6	8	10	6	6	20	17.5	9.5	8.5	6	60	20	M5x16	17.75	27.76	0.27	0.20	0.20	0.40	2.21
HGW20HA								65.2	92.2	17.6																21.18	35.90	0.35	0.35	0.35	0.52	
HGW25CA	36	5.5	23.5	70	57	6.5	45	58	84	10.7	6	12	M8	8	14	6	5	23	22	11	9	7	60	20	M6x20	26.48	36.49	0.42	0.33	0.33	0.59	3.21
HGW25HA								78.6	104.6	21																32.75	49.44	0.56	0.57	0.57	0.80	
HGW30CA	42	6	31	90	72	9	52	70	97.4	14.25	6	12	M10	8.5	16	6.5	10.8	28	26	14	12	9	80	20	M8x25	38.74	52.19	0.66	0.53	0.53	1.09	4.47
HGW30HA								93	120.4	25.75																47.27	69.16	0.88	0.92	0.92	1.44	
HGW35CA	48	7.5	33	100	82	9	62	80	112.4	14.6	7	12	M10	10.1	18	9	12.6	34	29	14	12	9	80	20	M8x25	49.52	69.16	1.16	0.81	0.81	1.56	6.30
HGW35HA								105.8	138.2	27.5																60.21	91.63	1.54	1.40	1.40	2.06	
HGW45CA	60	9.5	37.5	120	100	10	80	97	139.4	13	10	12.9	M12	15.1	22	8.5	20.5	45	38	20	17	14	105	22.5	M12x35	77.57	102.71	1.98	1.55	1.55	2.79	10.41
HGW45HA								128.8	171.2	28.9																94.54	136.46	2.63	2.68	2.68	3.69	
HGW55CA	70	13	43.5	140	116	12	95	117.7	166.7	17.35	11	12.9	M14	17.5	26.5	12	19	53	44	23	20	16	120	30	M14x45	114.44	148.33	3.69	2.64	2.64	4.52	15.08
HGW55HA								155.8	204.8	36.4																139.35	196.20	4.88	4.57	4.57	5.96	
HGW65CA	90	15	53.5	170	142	14	110	144.2	200.2	23.1	14	12.9	M16	25	37.5	15	15	63	53	26	22	18	150	35	M16x50	163.63	215.33	6.65	4.27	4.27	9.17	21.18
HGW65HA								203.6	259.6	52.8																208.36	303.13	9.38	7.38	7.38	12.89	

Note : 1 kgf = 9.81 N

(4) HGW-CB / HGW-HB



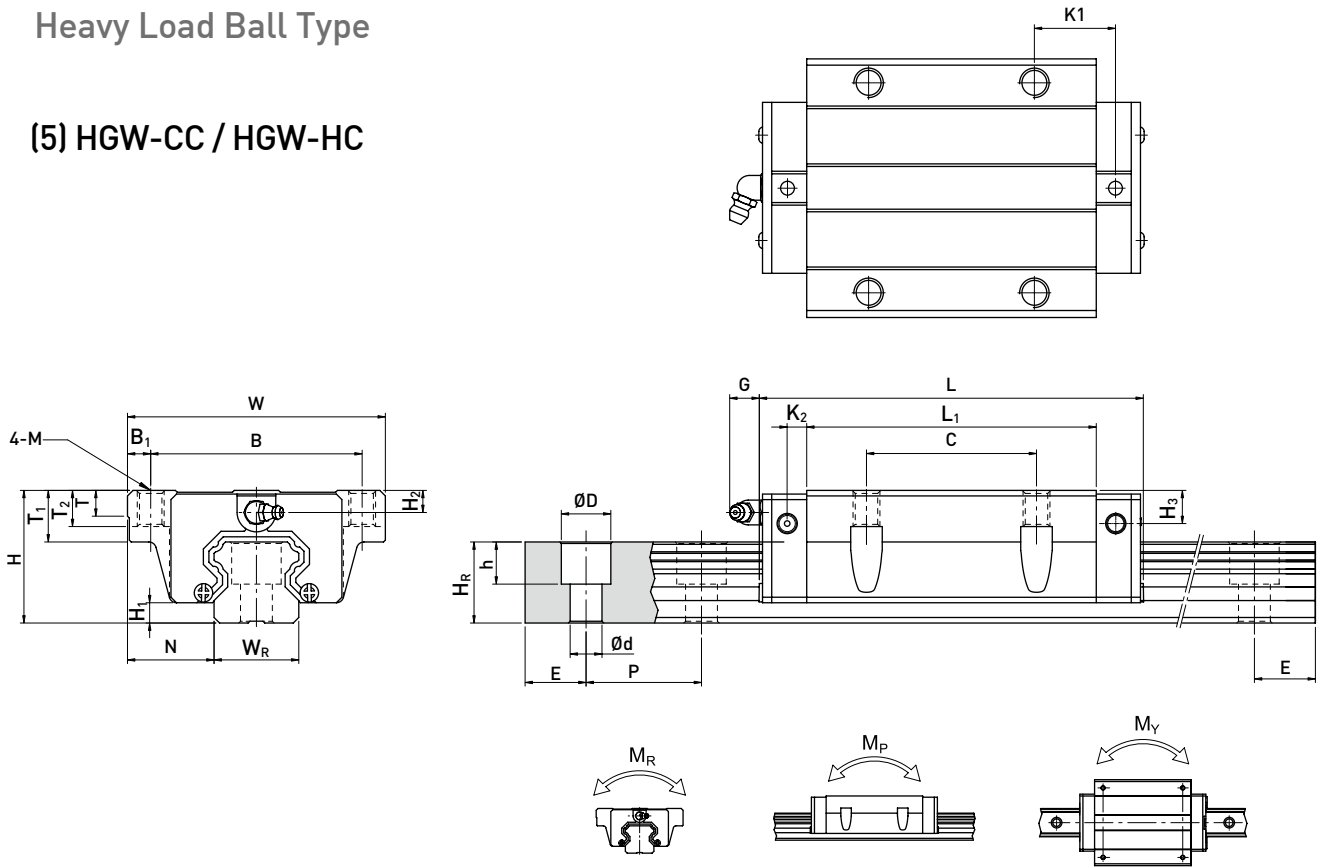
Model No.	Dimensions of Assembly (mm)		Dimensions of Block (mm)															Dimensions of Rail (mm)					Mounting Bolt for Rail (mm)	Basic Dynamic Load Rating C (kN)	Basic Static Load Rating C <sub>0</sub> (kN)	Static Rated Moment			Weight							
	H	H <sub>1</sub>	N	W	B	B <sub>1</sub>	C	L <sub>1</sub>	L	K <sub>1</sub>	K <sub>2</sub>	G	M	T	T <sub>1</sub>	T <sub>2</sub>	H <sub>2</sub>	H <sub>3</sub>	W <sub>R</sub>	H <sub>R</sub>	D	h				d	P	E	M <sub>R</sub>	M <sub>P</sub>	M <sub>Y</sub>	Block kg	Rail kg/m			
																															C (kN)	C <sub>0</sub> (kN)	kN-m	kN-m	kN-m	kg
HGW15CB	24	4.3	16	47	38	4.5	30	39.4	61.4	8	4.85	5.3	Ø4.5	6	8.9	6.95	3.95	3.7	15	15	7.5	5.3	4.5	60	20	M4x16	11.38	16.97	0.12	0.10	0.10	0.17	1.45			
HGW20CB	30	4.6	21.5	63	53	5	40	50.5	77.5	10.25	6	12	Ø6	8	10	9.5	6	6	20	17.5	9.5	8.5	6	60	20	M5x16	17.75	27.76	0.27	0.20	0.20	0.40	2.21			
HGW20HB								65.2	92.2	17.6																	21.18	35.90	0.35	0.35	0.35	0.52				
HGW25CB	36	5.5	23.5	70	57	6.5	45	58	84	10.7	6	12	Ø7	8	14	10	6	5	23	22	11	9	7	60	20	M6x20	26.48	36.49	0.42	0.33	0.33	0.59	3.21			
HGW25HB								78.6	104.6	21																	32.75	49.44	0.56	0.57	0.57	0.80				
HGW30CB	42	6	31	90	72	9	52	70	97.4	14.25	6	12	Ø9	8.5	16	10	6.5	10.8	28	26	14	12	9	80	20	M8x25	38.74	52.19	0.66	0.53	0.53	1.09	4.47			
HGW30HB								93	120.4	25.75																	47.27	69.16	0.88	0.92	0.92	1.44				
HGW35CB	48	7.5	33	100	82	9	62	80	112.4	14.6	7	12	Ø9	10.1	18	13	9	12.6	34	29	14	12	9	80	20	M8x25	49.52	69.16	1.16	0.81	0.81	1.56	6.30			
HGW35HB								105.8	138.2	27.5																	60.21	91.63	1.54	1.40	1.40	2.06				
HGW45CB	60	9.5	37.5	120	100	10	80	97	139.4	13	10	12.9	Ø11	15.1	22	15	8.5	20.5	45	38	20	17	14	105	22.5	M12x35	77.57	102.71	1.98	1.55	1.55	2.79	10.41			
HGW45HB								128.8	171.2	28.9																	94.54	136.46	2.63	2.68	2.68	3.69				
HGW55CB	70	13	43.5	140	116	12	95	117.7	166.7	17.35	11	12.9	Ø14	17.5	26.5	17	12	19	53	44	23	20	16	120	30	M14x45	114.44	148.33	3.69	2.64	2.64	4.52	15.08			
HGW55HB								155.8	204.8	36.4																	139.35	196.20	4.88	4.57	4.57	5.96				
HGW65CB	90	15	53.5	170	142	14	110	144.2	200.2	23.1	14	12.9	Ø16	25	37.5	23	15	15	63	53	26	22	18	150	35	M16x50	163.63	215.33	6.65	4.27	4.27	9.17	21.18			
HGW65HB								203.6	259.6	52.8																	208.36	303.13	9.38	7.38	7.38	12.89				

Note : 1 kgf = 9.81 N

# HG Series

## Heavy Load Ball Type

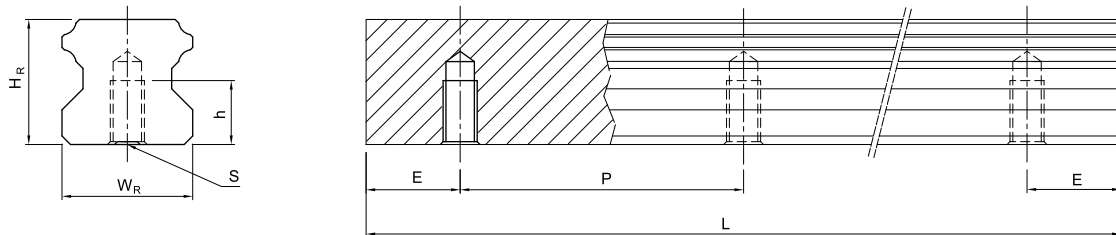
### (5) HGW-CC / HGW-HC



Model No.	Dimensions of Assembly (mm)		Dimensions of Block (mm)															Dimensions of Rail (mm)					Mounting Bolt for Rail (mm)	Basic Dynamic Load Rating C (kN)	Basic Static Load Rating C <sub>0</sub> (kN)	Static Rated Moment			Weight				
	H	H <sub>1</sub>	N	W	B	B <sub>1</sub>	C	L <sub>1</sub>	L	K <sub>1</sub>	K <sub>2</sub>	G	M	T	T <sub>1</sub>	T <sub>2</sub>	H <sub>2</sub>	H <sub>3</sub>	W <sub>R</sub>	H <sub>R</sub>	D	h				d	P	E	M <sub>R</sub>	M <sub>P</sub>	M <sub>Y</sub>	Block kg	Rail kg/m
HGW15CC	24	4.3	16	47	38	4.5	30	39.4	61.4	8	4.85	5.3	M5	6	8.9	6.95	3.95	3.7	15	15	7.5	5.3	4.5	60	20	M4x16	11.38	16.97	0.12	0.10	0.10	0.17	1.45
HGW20CC	30	4.6	21.5	63	53	5	40	50.5	77.5	10.25	6	12	M6	8	10	9.5	6	6	20	17.5	9.5	8.5	6	60	20	M5x16	17.75	27.76	0.27	0.20	0.20	0.40	2.21
HGW20HC								65.2	92.2	17.6																	21.18	35.90	0.35	0.35	0.35	0.52	
HGW25CC	36	5.5	23.5	70	57	6.5	45	58	84	10.7	6	12	M8	8	14	10	6	5	23	22	11	9	7	60	20	M6x20	26.48	36.49	0.42	0.33	0.33	0.59	3.21
HGW25HC								78.6	104.6	21																	32.75	49.44	0.56	0.57	0.57	0.80	
HGW30CC	42	6	31	90	72	9	52	70	97.4	14.25	6	12	M10	8.5	16	10	6.5	10.8	28	26	14	12	9	80	20	M8x25	38.74	52.19	0.66	0.53	0.53	1.09	4.47
HGW30HC								93	120.4	25.75																	47.27	69.16	0.88	0.92	0.92	1.44	
HGW35CC	48	7.5	33	100	82	9	62	80	112.4	14.6	7	12	M10	10.1	18	13	9	12.6	34	29	14	12	9	80	20	M8x25	49.52	69.16	1.16	0.81	0.81	1.56	6.30
HGW35HC								105.8	138.2	27.5																	60.21	91.63	1.54	1.40	1.40	2.06	
HGW45CC	60	9.5	37.5	120	100	10	80	97	139.4	13	10	12.9	M12	15.1	22	15	8.5	20.5	45	38	20	17	14	105	22.5	M12x35	77.57	102.71	1.98	1.55	1.55	2.79	10.41
HGW45HC								128.8	171.2	28.9																	94.54	136.46	2.63	2.68	2.68	3.69	
HGW55CC	70	13	43.5	140	116	12	95	117.7	166.7	17.35	11	12.9	M14	17.5	26.5	17	12	19	53	44	23	20	16	120	30	M14x45	114.44	148.33	3.69	2.64	2.64	4.52	15.08
HGW55HC								155.8	204.8	36.4																	139.35	196.20	4.88	4.57	4.57	5.96	
HGW65CC	90	15	53.5	170	142	14	110	144.2	200.2	23.1	14	12.9	M16	25	37.5	23	15	15	63	53	26	22	18	150	35	M16x50	163.63	215.33	6.65	4.27	4.27	9.17	21.18
HGW65HC								203.6	259.6	52.8																	208.36	303.13	9.38	7.38	7.38	12.89	

Note : 1 kgf = 9.81 N

**(6) Dimensions for HGR-T (Rail Mounting from Bottom)**



Model No.	Dimensions of Rail (mm)						Weight
	$W_R$	$H_R$	S	h	P	E	(kg/m)
HGR15T	15	15	M5 x 0.8P	8	60	20	1.48
HGR20T	20	17.5	M6 x 1P	10	60	20	2.29
HGR25T	23	22	M6 x 1P	12	60	20	3.35
HGR30T	28	26	M8 x 1.25P	15	80	20	4.67
HGR35T	34	29	M8x1.25P	17	80	20	6.51
HGR45T	45	38	M12 x 1.75P	24	105	22.5	10.87
HGR55T	53	44	M14 x 2P	24	120	30	15.67
HGR65T	63	53	M20 x 2.5P	30	150	35	21.73

## EG Series

### Low Profile Ball Type

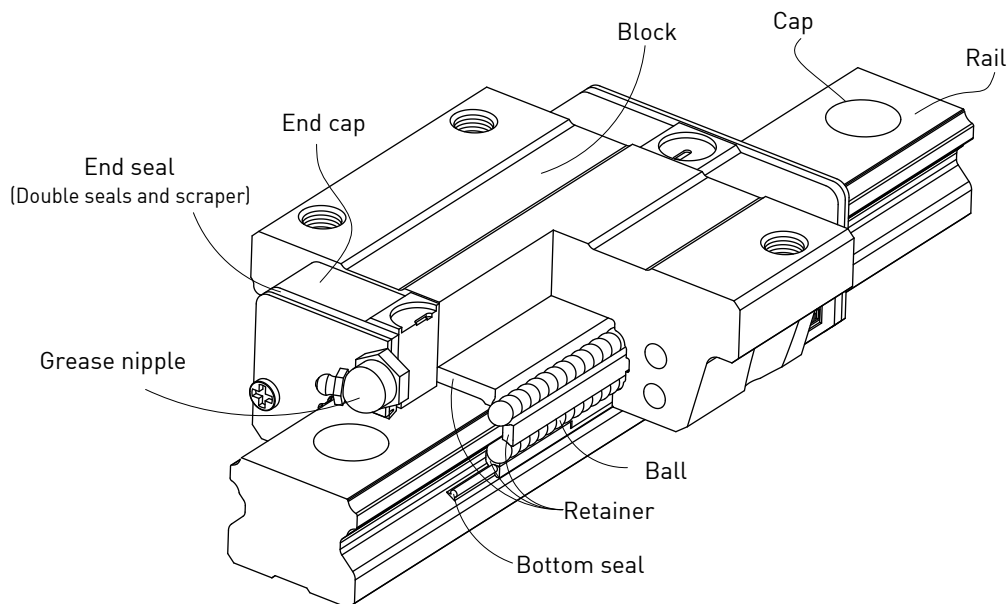
## 2-2 EG Series - Low Profile Ball Type Linear Guideway

### 2-2-1 Features of the EG Series Linear Guideway

The design of the EG series offers a low profile, high load capacity, and high rigidity. It also features an equal load rating in all four directions and self-aligning capability to absorb installation-error, allowing for higher accuracies. Additionally, the lower assembly height and the shorter length make the EG series more suitable for high-speed, automation machines and applications where space is limited.

The retainer is designed to hold the balls in the block even when it is removed from the rail.

### 2-2-2 Construction of EG Series

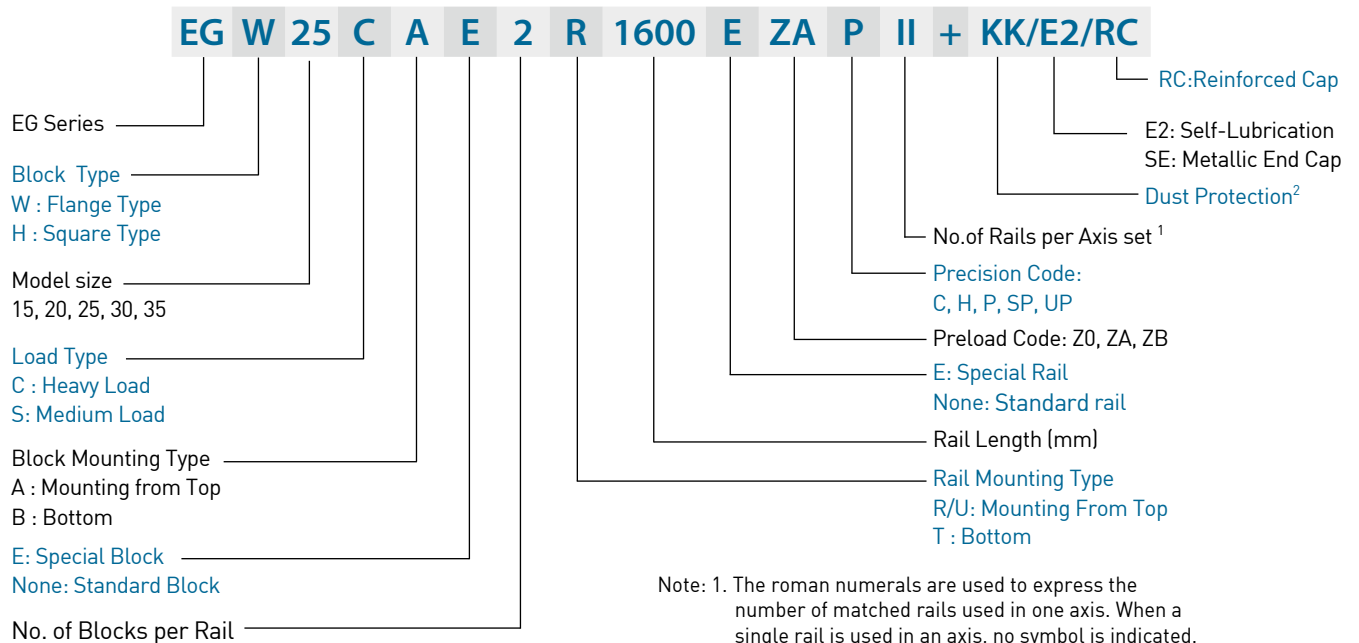


- Rolling circulation system: Block, rail, end cap and retainer
- Lubrication system: Grease nipple and piping Joint
- Dust protection system: End seal, bottom seal, cap and scraper

### 2-2-3 Model Number of EG Series

EG series linear guideways are classified into non-interchangeable and interchangeable types. The sizes of these two types are the same as one another. The main difference is that the interchangeable type of blocks and rails can be freely exchanged and they can maintain P-class accuracy. Because of strict dimensional control, the interchangeable type linear guideways are a wise choice for customers when rails do not need to be matched for an axis. The model number of the EG series identifies the size, type, accuracy class, preload class, etc.

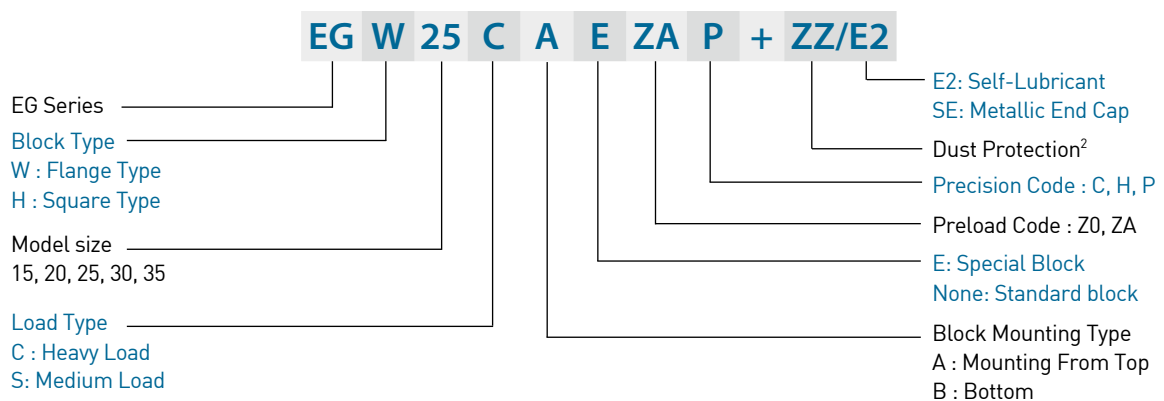
(1) Non-interchangeable type



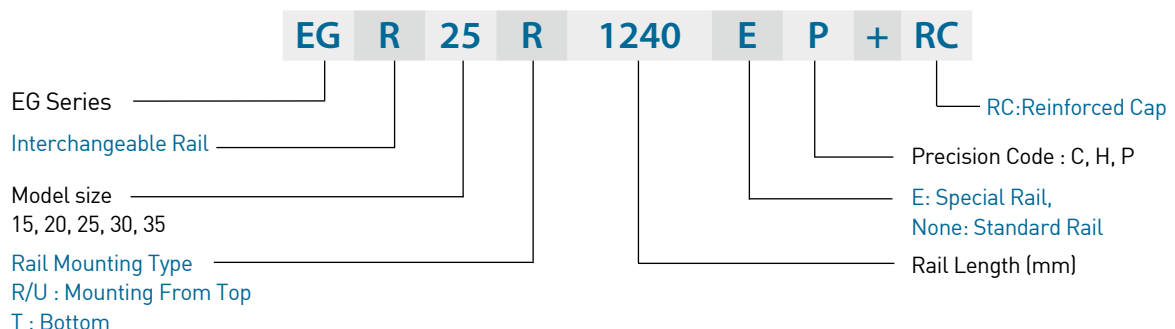
Note: 1. The roman numerals are used to express the number of matched rails used in one axis. When a single rail is used in an axis, no symbol is indicated.  
2. No symbol indicates standard protection (end seal and bottom seal).  
ZZ : End seal, bottom seal and scraper  
KK: Double seals, bottom seal and scraper.  
DD: Double seals and bottom seal

(2) Interchangeable type

○ Model Number of EG Block



○ Model Number of EG Rail



## EG Series

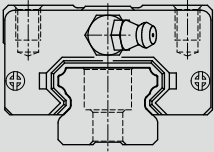
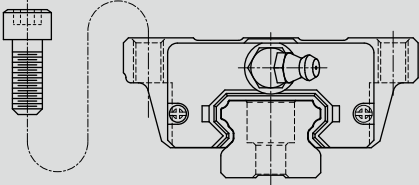
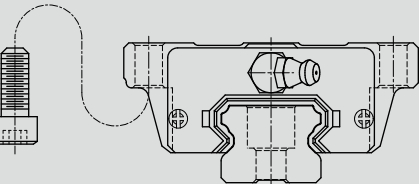
### Low Profile Ball Type

#### 2-2-4 Types

##### (1) Block types

HIWIN offers two types of linear guideways, flange and square types.

Table 2-2-1 **Block Types**

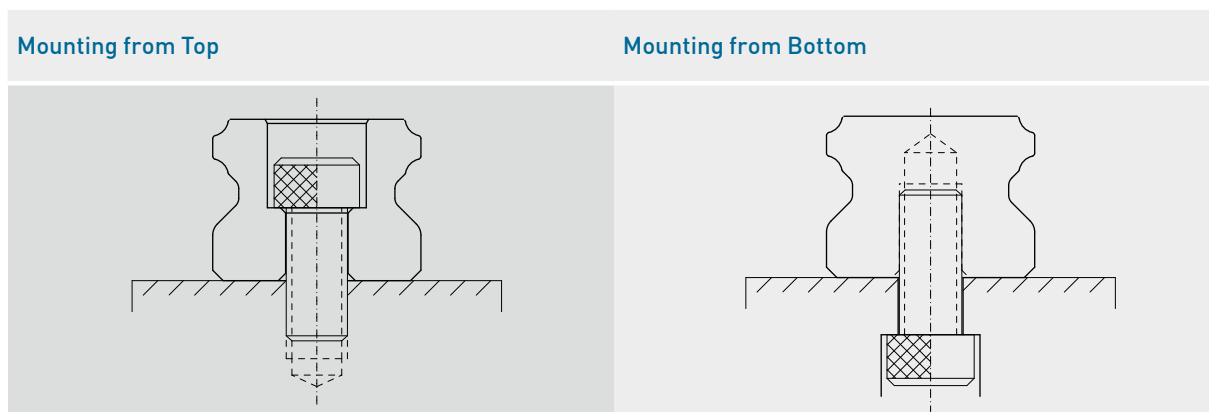
Type	Model	Shape	Height (mm)	Rail Length (mm)	Main Applications
Square	QEH-SA QEH-CA		24	100	<ul style="list-style-type: none"> <li>○ Automation devices</li> <li>○ High-speed transportation equipment</li> <li>○ Precision measuring equipment</li> <li>○ Semiconductor manufacturing equipment</li> </ul>
			↓	↓	
Flange	QEW-SA QEW-CA		48	4000	
			24	100	
			↓	↓	
			48	4000	
Flange	QEW-SB QEW-CB		24	100	
			↓	↓	
			48	4000	
			↓	↓	

\*Please refer to the chapter 2-2-13 for the dimensional detail.

##### (2) Rail types

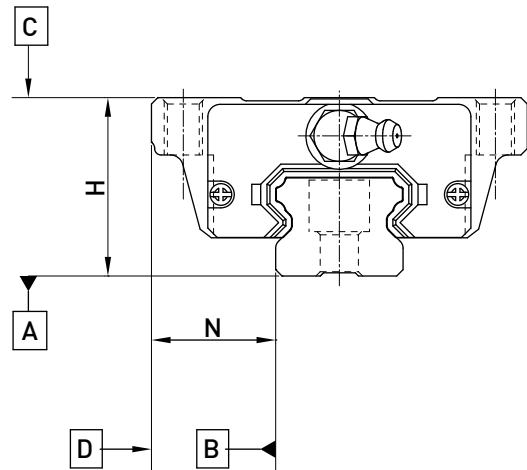
Besides the standard top mounting type, HIWIN also offers bottom mounting type rails.

Table 2-2-2 **Rail Types**



## 2-2-5 Accuracy

The accuracy of the EG series can be classified into 5 classes: normal(C), high(H), precision(P), super precision(SP), and ultra precision(UP). Choose the class by referencing the accuracy of selected equipment.



### (1) Accuracy of non-interchangeable guideways

Table 2-2-3 Accuracy Standards

Unit: mm

Item	EG - 15, 20				
	Normal (C)	High (H)	Precision (P)	Super Precision (SP)	Ultra Precision (UP)
Dimensional tolerance of height H	± 0.1	± 0.03	0 - 0.03	0 - 0.015	0 - 0.008
Dimensional tolerance of width N	± 0.1	± 0.03	0 - 0.03	0 - 0.015	0 - 0.008
Variation of height H	0.02	0.01	0.006	0.004	0.003
Variation of width N	0.02	0.01	0.006	0.004	0.003
Running parallelism of block surface C to surface A	See Table 2-2-7				
Running parallelism of block surface D to surface B	See Table 2-2-7				

Table 2-2-4 Accuracy Standards

Unit: mm

Item	EG - 25, 30, 35				
	Normal (C)	High (H)	Precision (P)	Super Precision (SP)	Ultra Precision (UP)
Dimensional tolerance of height H	± 0.1	± 0.04	0 - 0.04	0 - 0.02	0 - 0.01
Dimensional tolerance of width N	± 0.1	± 0.04	0 - 0.04	0 - 0.02	0 - 0.01
Variation of height H	0.02	0.015	0.007	0.005	0.003
Variation of width N	0.03	0.015	0.007	0.005	0.003
Running parallelism of block surface C to surface A	See Table 2-2-7				
Running parallelism of block surface D to surface B	See Table 2-2-7				



## EG Series

### Low Profile Ball Type

#### (2) Accuracy of interchangeable guideways

Table 2-2-5 Accuracy Standards

Unit: mm

Item	EG - 15, 20		
Accuracy Classes	Normal (C)	High (H)	Precision (P)
Dimensional tolerance of height H	± 0.1	± 0.03	± 0.015
Dimensional tolerance of width N	± 0.1	± 0.03	± 0.015
Variation of height H	0.02	0.01	0.006
Variation of width N	0.02	0.01	0.006
Running parallelism of block surface C to surface A	See Table 2-2-7		
Running parallelism of block surface D to surface B	See Table 2-2-7		

Table 2-2-6 Accuracy Standards

Unit: mm

Item	EG - 25, 30, 35		
Accuracy Classes	Normal (C)	High (H)	Precision (P)
Dimensional tolerance of height H	± 0.1	± 0.04	± 0.02
Dimensional tolerance of width N	± 0.1	± 0.04	± 0.02
Variation of height H	0.02	0.015	0.007
Variation of width N	0.03	0.015	0.007
Running parallelism of block surface C to surface A	See Table 2-2-7		
Running parallelism of block surface D to surface B	See Table 2-2-7		

#### (3) Accuracy of running parallelism

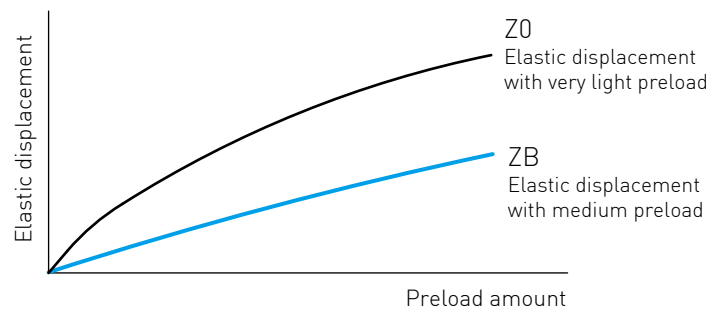
Table 2-2-7 Accuracy of Running Parallelism

Rail Length (mm)	Accuracy (μm)				
	C	H	P	SP	UP
~ 100	12	7	3	2	2
100 ~ 200	14	9	4	2	2
200 ~ 300	15	10	5	3	2
300 ~ 500	17	12	6	3	2
500 ~ 700	20	13	7	4	2
700 ~ 900	22	15	8	5	3
900 ~ 1,100	24	16	9	6	3
1,100 ~ 1,500	26	18	11	7	4
1,500 ~ 1,900	28	20	13	8	4
1,900 ~ 2,500	31	22	15	10	5
2,500 ~ 3,100	33	25	18	11	6
3,100 ~ 3,600	36	27	20	14	7
3,600 ~ 4,000	37	28	21	15	7

## 2-2-6 Preload

### (1) Definition

A preload can be applied to each guideway. Generally, a linear motion guideway has a negative clearance between the groove and balls in order to improve stiffness and maintain high precision. The figure shows that adding a preload can improve stiffness of the linear guideway. A preload no greater than ZA would be recommended for model sizes smaller than EG20. This will avoid an over-loaded condition that would affect guideway life.



### (2) Preload classes

HIWIN offers three standard preloads for various applications and conditions.

Table 2-2-8 Preload Classes

Class	Code	Preload	Condition
Very Light Preload	Z0	0~ 0.02C	Certain load direction, low impact, low precision required
Light Preload	ZA	0.03C~0.05C	low load and high precision required
Medium Preload	ZB	0.06C~ 0.08C	High rigidity required, with vibration and impact

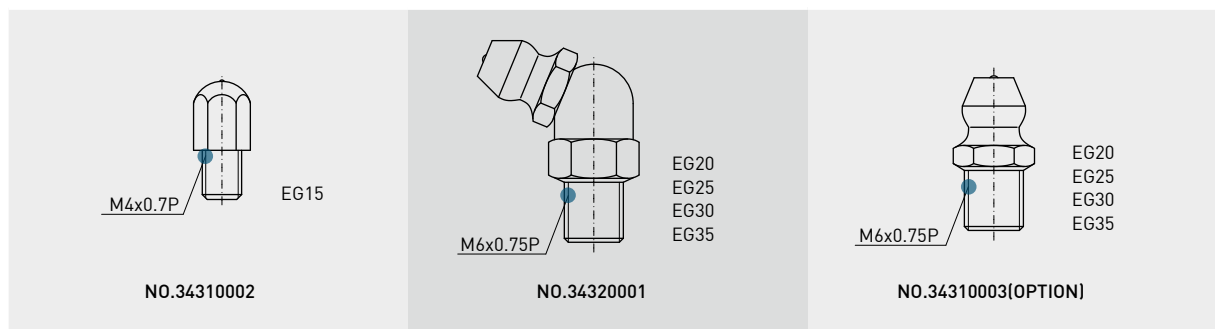
Class	Interchangeable Guideway	Non-Interchangeable Guideway
Preload classes	Z0, ZA	Z0, ZA, ZB

Note: The "C" in the preload column denotes basic dynamic load rating.

## 2-2-7 Lubrication

### (1) Grease

#### ○ Grease nipple



## EG Series

### Low Profile Ball Type

#### ○ Mounting location

The standard location of the grease fitting is at both ends of the block, the nipple may be mounted in the side or top of the block. For lateral installation, we recommend that the nipple be mounted to the non-reference side, otherwise please contact us. When lubricating from above, in the recess for the O-ring, a smaller, preformed recess can be found. Preheat the 0.8 mm diameter metal tip. Carefully open the small recess with the metal tip and pierce through it. Insert a round sealing ring into the recess. (The round sealing ring is not supplied with the block) Do not open the small recess with a drill bit this may introduce the danger of contamination. It is possible to carry out the lubrication by using the oil-piping joint.

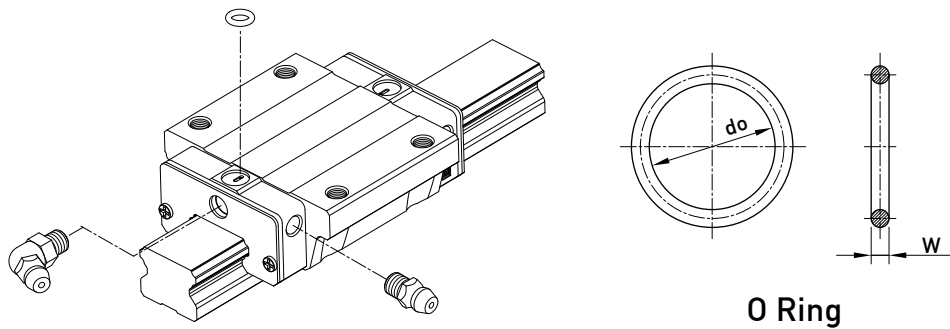
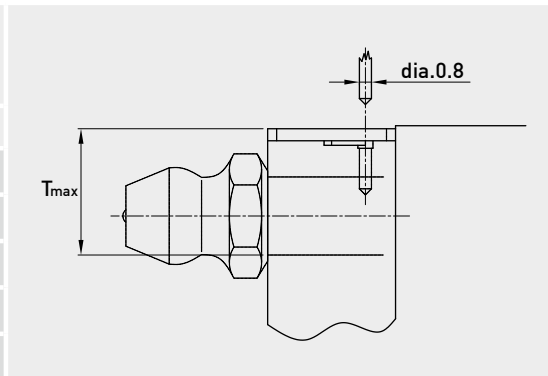


Table 2-2-9 O-Ring size and max. permissible depth for piercing

Size	O-Ring		Lube hole at top: max. permissible depth for piercing
	do(mm)	W (mm)	T <sub>max</sub> (mm)
EG15	2.5 ± 0.15	1.5 ± 0.15	6.9
EG20	4.5 ± 0.15	1.5 ± 0.15	8.4
EG25	4.5 ± 0.15	1.5 ± 0.15	10.4
EG30	4.5 ± 0.15	1.5 ± 0.15	10.4
EG35	4.5 ± 0.15	1.5 ± 0.15	10.8



#### ○ The oil amount for a block filled with grease

Table 2-2-10 The oil amount for a block filled with grease

Size	Medium Load (cm <sup>3</sup> )	Heavy Load (cm <sup>3</sup> )
EG15	0.8	1.4
EG20	1.5	2.4
EG25	2.8	4.6
EG30	3.7	6.3
EG35	5.6	6.6

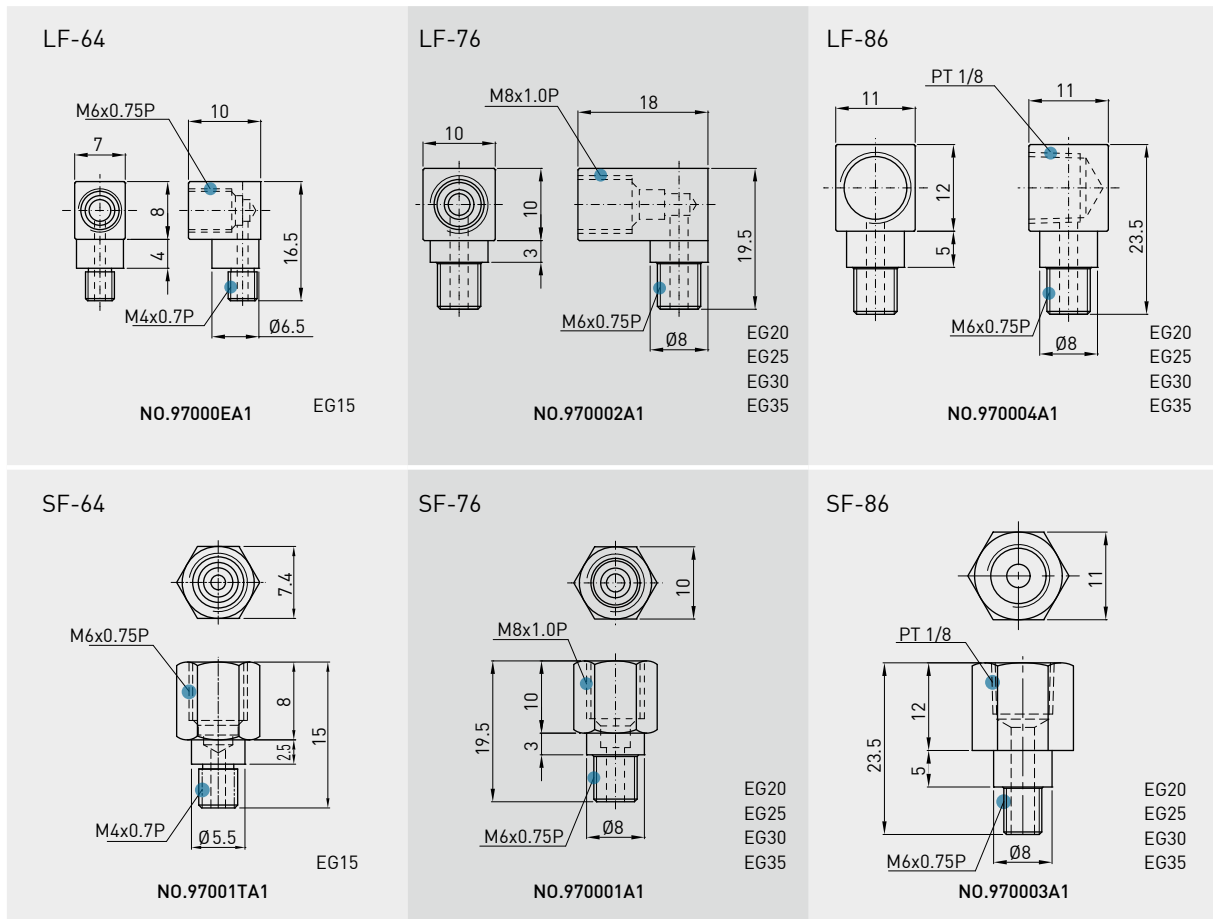
#### ○ Frequency of replenishment

Check the grease every 100 km, or every 3-6 months.

**(2) Oil**

The recommended viscosity of oil is about 32~150cSt. If you need to use oil-type lubrication, please inform us.

**○ Types of oil piping joint**



**○ Oil feeding rate**

Table 2-2-11 oil feed rate

Size	feed rate (cm <sup>3</sup> /hr)
EG15	0.1
EG20	0.133
EG25	0.167
EG30	0.2
EG35	0.233

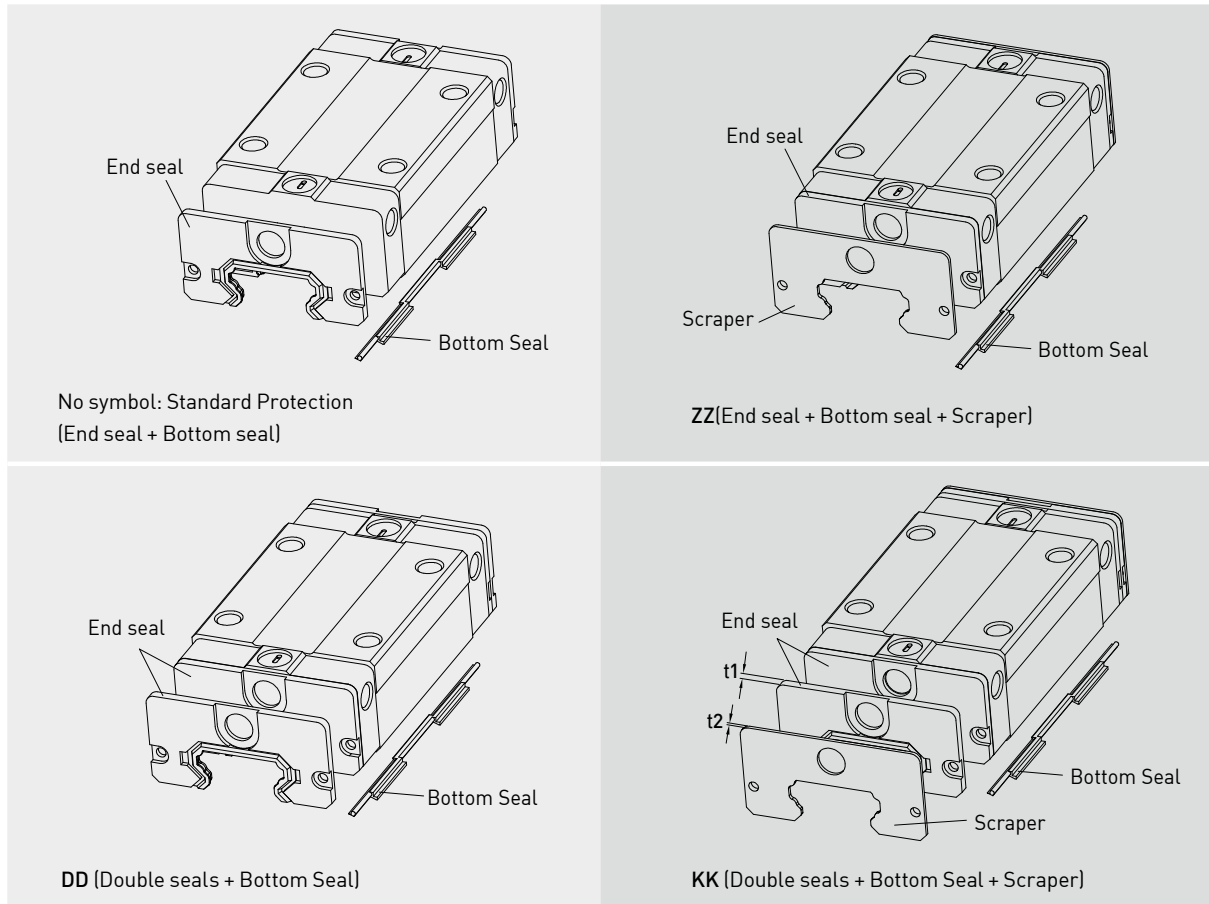
## EG Series

### Low Profile Ball Type

#### 2-2-8 Dust Protection Equipment

##### (1) Codes of equipment

If the following equipment is needed, please indicate the code followed by the model number.



##### (2) End seal and bottom seal

Protects against contaminants entering the block. Reduces potential for groove damage resulting in a reduction of life ratings.

##### (3) Double seals

Removing foreign matters from the rail to prevent contaminants from entering the block.

Table 2-2-12 Dimensions of end seal

Size	Thickness (t1) (mm)
EG15 ES	2
EG20 ES	2
EG25 ES	2
EG30 ES	2
EG35 ES	2

#### (4) Scraper

Clears larger contaminants, such as weld spatter and metal cuttings, from the rail. Metal scraper protects end seals from excessive damage.

Table 2-2-13 Dimensions of Scraper

Size	Thickness (t2) (mm)
EG15 SC	0.8
EG20 SC	0.8
EG25 SC	1
EG30 SC	1
EG35 SC	1.5

#### (5) Bolt caps for rail mounting holes

Rail mounting hole caps prevent foreign matter from accumulating in the mounting holes. Caps are included with the rail package.

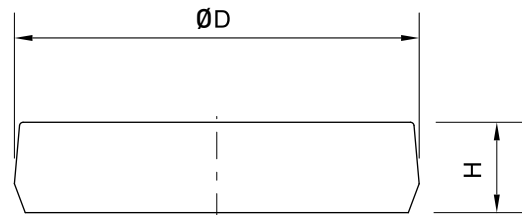


Table 2-2-14 Dimensions of Bolt Caps for Rail Mounting Holes

Rail size	Bolt size	Diameter(D) (mm)	Thickness(H) (mm)
EGR15R	M3	6.15	1.2
EGR20R	M5	9.65	2.2
EGR25R	M6	11.20	2.5
EGR30R	M6	11.20	2.5
EGR35R	M8	14.25	3.3
EGR15U	M4	7.65	1.1
EGR30U	M8	14.25	3.3

#### (6) Dimensions of block equipped with the dustproof parts

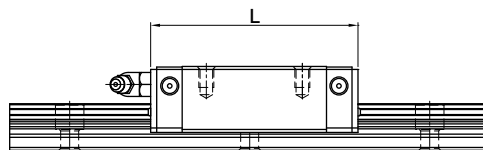


Table 2-2-15 Overall block length

unit: mm

Size	Overall block length (L)			
	Standard	ZZ	DD	KK
EG15S	40.1	41.7	44.1	45.7
EG15C	56.8	58.4	60.8	62.4
EG20S	50	51.6	54	55.6
EG20C	69.1	70.7	73.1	74.7
EG25S	59.1	61.1	63.1	65.1
EG25C	82.6	84.6	86.6	88.6
EG30S	69.5	71.5	73.5	75.5
EG30C	98.1	100.1	102.1	104.1
EG35S	75	78	79	82
EG35C	108	111	112	115

## EG Series

### Low Profile Ball Type

#### 2-2-9 Friction

The maximum value of resistance per end seal are as shown in the table.

Table 2-2-16 Seal Resistance

Size	Resistance N (kgf)
EG15	0.98 (0.1)
EG20	0.98 (0.1)
EG25	0.98 (0.1)
EG30	1.47 (0.15)
EG35	1.96 (0.2)

Note: 1kgf=9.81N

#### 2-2-10 Mounting Surface Accuracy Tolerance

Because of the circular-arc contact design, the EG linear guideway can withstand surface-error installation and deliver smooth linear motion. When the mounting surface meets the accuracy requirements of the installation, the high accuracy and rigidity of the guideway will be obtained without any difficulty. For faster installation and smoother movement, HIWIN offers a preload with normal clearance because of its ability to absorb higher deviations in mounting surface inaccuracies.

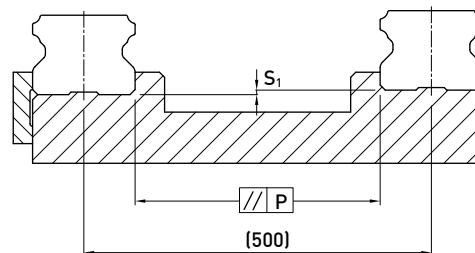


Table 2-2-17 Max. Parallelism Tolerance (P)

unit:  $\mu\text{m}$

Size	Preload classes		
	Z0	ZA	ZB
EG15	25	18	-
EG20	25	20	18
EG25	30	22	20
EG30	40	30	27
EG35	50	35	30

Table 2-2-18 Max. Tolerance of Reference Surface Height ( $S_1$ )

unit:  $\mu\text{m}$

Size	Preload classes		
	Z0	ZA	ZB
EG15	130	85	-
EG20	130	85	50
EG25	130	85	70
EG30	170	110	90
EG35	210	150	120

## 2-2-11 Cautions for Installation

### (1) Shoulder heights and chamfers

Improper shoulder heights and chamfers of mounting surfaces will cause deviations in accuracy and rail or block interference with the chamfered part.

When recommended shoulder heights and chamfers are used, problems with installation accuracy should be eliminated.

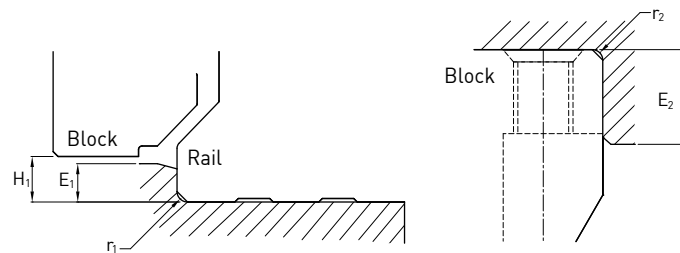


Table 2-2-19 Shoulder Heights and Chamfers

unit: mm

Size	Max. radius of fillets $r_1$ (mm)	Max. radius of fillets $r_2$ (mm)	Shoulder height of the rail $E_1$ (mm)	Shoulder height of the block $E_2$ (mm)	Clearance under block $H_1$ (mm)
EG15	0.5	0.5	2.7	5.0	4.5
EG20	0.5	0.5	5.0	7.0	6.0
EG25	1.0	1.0	5.0	7.5	7.0
EG30	1.0	1.0	7.0	7.0	10.0
EG35	1.0	1.0	7.5	9.5	11.0

### (2) Tightening Torque of Bolts for Installation

Improperly tightened mounting bolts will seriously affect the accuracy of linear guide installations. The following tightening torques for different sizes of bolts are recommended.

Table 2-2-20 Tightening Torque

Size	Bolt size	Torque N-cm(kgf-cm)		
		Iron	Casting	Aluminum
EG 15	M3×0.5P×16L	186 (19)	127 (13)	98 (10)
EG 20	M5×0.8P×16L	883 (90)	588 (60)	441 (45)
EG 25	M6×1P×20L	1373 (140)	921 (94)	686 (70)
EG 30	M6×1P×25L	1373 (140)	921 (94)	686 (70)
EG 35	M8×1.25P×25L	3041 (310)	2010 (205)	1470 (150)

Note: 1 kgf = 9.81 N

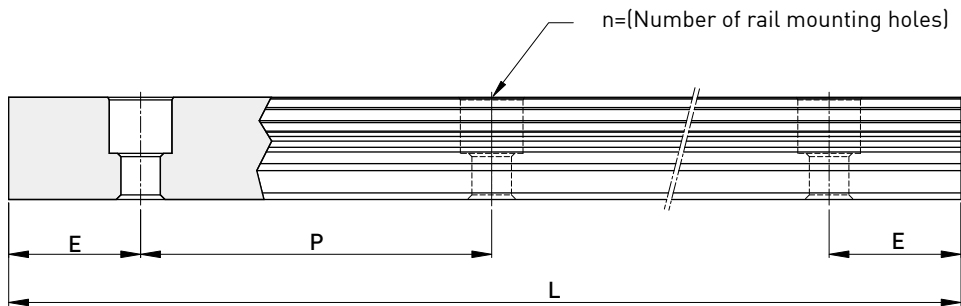


## EG Series

### Low Profile Ball Type

#### 2-2-12 Standard and Maximum Lengths of Rail

HIWIN offers a number of standard rail lengths. Standard rail lengths feature end mounting hole placements set to predetermined values (E). For non-standard rail lengths, be sure to specify the E-value to be no greater than 1/2 the pitch (P) dimension. An E-value greater than this will result in unstable rail ends.



$$L = (n - 1) \times P + 2 \times E \quad \dots \dots \dots \text{Eq.2.2}$$

- L : Total length of rail (mm)
- n : Number of mounting holes
- P : Distance between any two holes (mm)
- E : Distance from the center of the last hole to the edge (mm)

Table 2-2-21 Rail Standard Length and Max. Length

unit: mm

Item	EGR15	EGR20	EGR25	EGR30	EGR35
Standard Length L(n)	160 (3)	220 (4)	220 (4)	280 (4)	280 (4)
	220 (4)	280 (5)	280 (5)	440 (6)	440 (6)
	280 (5)	340 (6)	340 (6)	600 (8)	600 (8)
	340 (6)	460 (8)	460 (8)	760 (10)	760 (10)
	460 (8)	640 (11)	640 (11)	1,000 (13)	1,000 (13)
	640 (11)	820 (14)	820 (14)	1,640 (21)	1,640 (21)
	820 (14)	1,000 (17)	1,000 (17)	2,040 (26)	2,040 (26)
		1,240 (21)	1,240 (21)	2,520 (32)	2,520 (32)
	1,600 (27)	1,600 (27)	3,000 (38)	3,000 (38)	
Pitch (P)	60	60	60	80	80
Distance to End (E <sub>s</sub> )	20	20	20	20	20
Max. Standard Length	4,000(67)	4,000 (67)	4,000 (67)	3,960 (50)	3,960 (50)
Max. Length	4,000	4,000	4,000	4,000	4,000

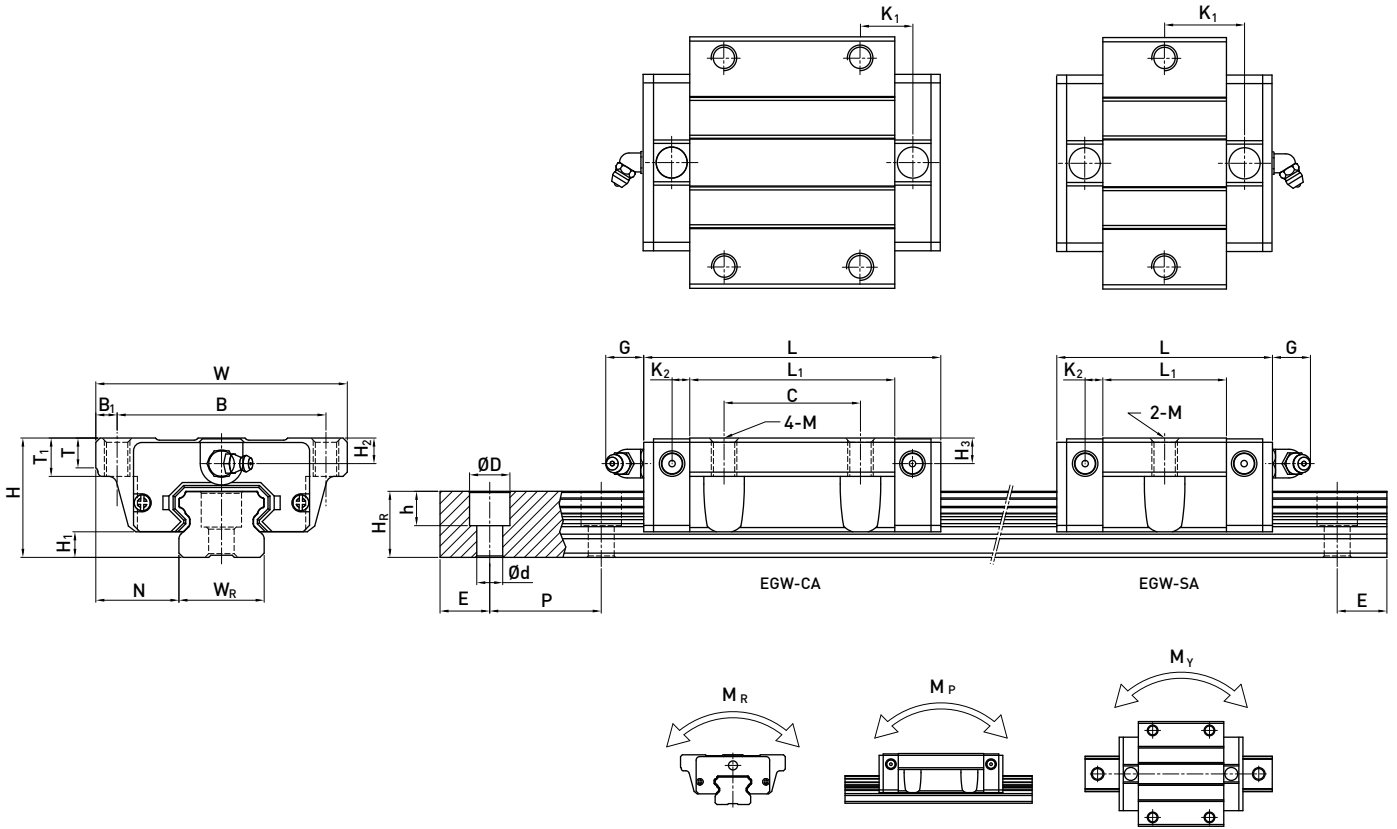
- Note :
1. Tolerance of E value for standard rail is 0.5~-0.5 mm. Tolerance of E value for jointed rail is 0~-0.3 mm.
  2. Maximum standard length means the max. rail length with standard E value on both sides.
  3. If different E value is needed, please contact HIWIN.



# EG Series

## Low Profile Ball Type

### (2) EGW-SA / EGW-CA



Model No.	Dimensions of Assembly (mm)							Dimensions of Block (mm)										Mounting Bolt for Rail (mm)	Basic Dynamic Load Rating C (kN)	Basic Static Load Rating C <sub>0</sub> (kN)	Static Rated Moment			Weight								
	H	H <sub>1</sub>	N	W	B	B <sub>1</sub>	C	L <sub>1</sub>	L	K <sub>1</sub>	K <sub>2</sub>	G	M	T	T <sub>1</sub>	H <sub>2</sub>	H <sub>3</sub>				W <sub>R</sub>	H <sub>R</sub>	D	h	d	P	E	M <sub>R</sub>	M <sub>P</sub>	M <sub>Y</sub>	Block kg	Rail kg/m
EGW15SA	24	4.5	18.5	52	41	5.5	-	23.1	40.1	14.8	3.5	5.7	M5	5	7	5.5	6	15	12.5	6	4.5	3.5	60	20	M3x16	5.35	9.40	0.08	0.04	0.04	0.12	1.25
EGW15CA							26	39.8	56.8	10.15																						
EGW20SA	28	6	19.5	59	49	5	-	29	50	18.75	4.15	12	M6	7	9	6	6	20	15.5	9.5	8.5	6	60	20	M5x16	7.23	12.74	0.13	0.06	0.06	0.19	2.08
EGW20CA							32	48.1	69.1	12.3																						
EGW25SA	33	7	25	73	60	6.5	-	35.5	59.1	21.9	4.55	12	M8	7.5	10	8	8	23	18	11	9	7	60	20	M6x20	11.40	19.50	0.23	0.12	0.12	0.35	2.67
EGW25CA							35	59	82.6	16.15																						
EGW30SA	42	10	31	90	72	9	-	41.5	69.5	26.75	6	12	M10	7	10	8	9	28	23	11	9	7	80	20	M6x25	16.42	28.10	0.40	0.21	0.21	0.62	4.35
EGW30CA							40	70.1	98.1	21.05																						
EGW35SA	48	11	33	100	82	9	-	45	75	28.5	7	12	M10	10	13	8.5	8.5	34	27.5	14	12	9	80	20	M8x25	22.66	37.38	0.56	0.31	0.31	0.84	6.14
EGW35CA							50	78	108	20																						

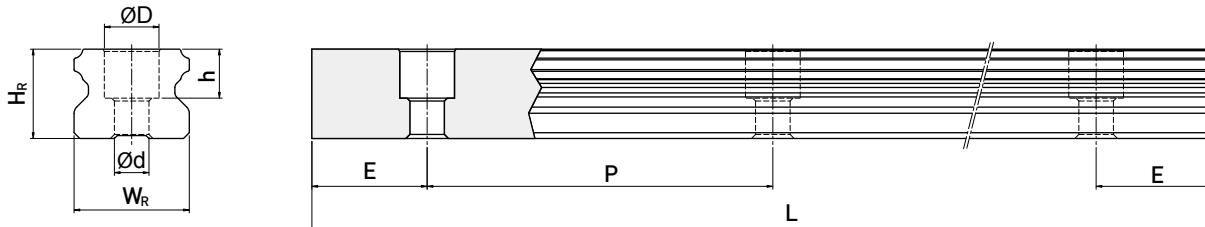
Note : 1 kgf = 9.81 N



## EG Series

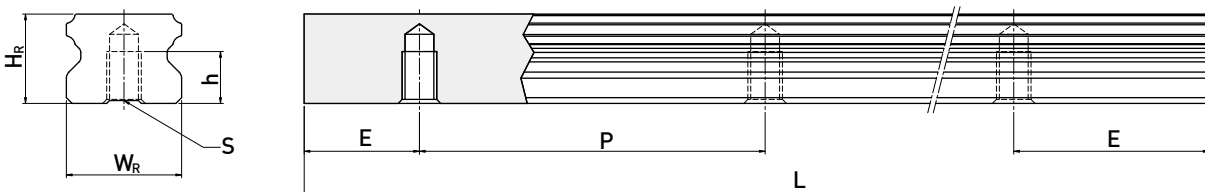
### Low Profile Ball Type

#### (4) Dimensions for EGR-U (large mounting hole, rail mounting from top)



Model No.	Mounting Bolt for Rail(mm)	Dimensions of Rail (mm)							Weight (kg/m)
		W <sub>R</sub>	H <sub>R</sub>	D	h	d	P	E	
EGR15U	M4x16	15	12.5	7.5	5.3	4.5	60	20	1.23
EGR30U	M8x25	28	23	14	12	9	80	20	4.23

#### (5) Dimensions for EGR-T (rail mounting from bottom)



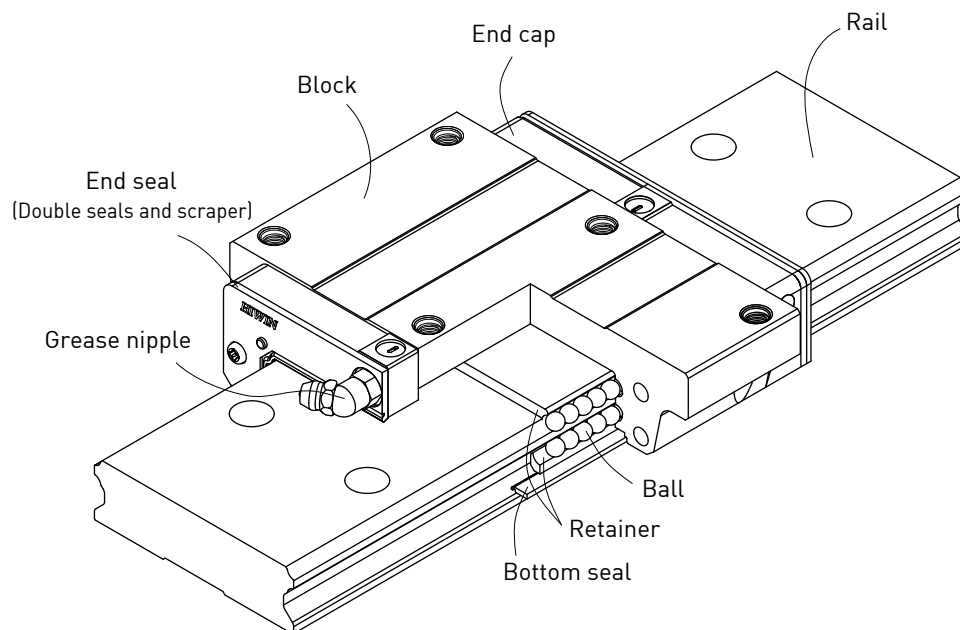
Model No.	Dimensions of Rail (mm)						Weight (kg/m)
	W <sub>R</sub>	H <sub>R</sub>	S	h	P	E	
EGR15T	15	12.5	M5 x 0.8P	7	60	20	1.26
EGR20T	20	15.5	M6 x 1P	9	60	20	2.15
EGR25T	23	18	M6 x 1P	10	60	20	2.79
EGR30T	28	23	M8 x 1.25P	14	80	20	4.42
EGR35T	34	27.5	M8 x 1.25P	17	80	20	6.34

## 2-3 WE Type – Four-Row Wide Rail Linear Guideway

### 2-3-1 Construction

The WE series features equal load ratings in the radial, reverse radial and the lateral direction with contact points at 45 degrees. This along with the wide rail, allows the guide way to be rated for high loads, moments and rigidity. By design, it has a self-aligning capacity that can absorb most installation errors and can meet high accuracy standards. The ability to use a single rail and to have the low profile with a low center of gravity is ideal where space is limited and/or high moments are required.

### 2-3-2 Construction of WE Series



- Rolling circulation system: Block, rail, end cap and retainer
- Lubrication system: Grease nipple and piping Joint
- Dust protection system: End seal, bottom seal, cap and scraper

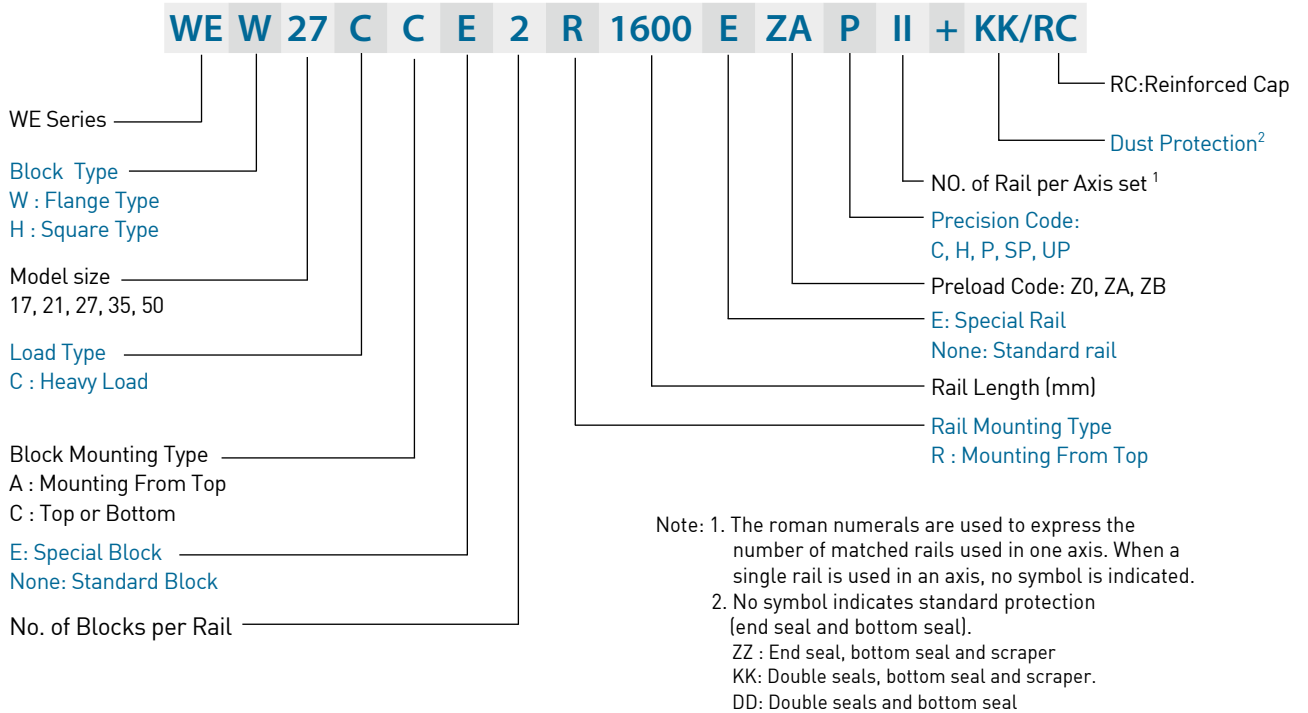
### 2-3-3 Model Number of WE Series

WE series linear guideways are classified into non-interchangeable and interchangeable types. The sizes of these two types are the same as one another. The main difference is that the interchangeable type of blocks and rails can be freely exchanged and they can maintain P-class accuracy. Because of strict dimensional control, the interchangeable type linear guideways are a wise choice for customers when rails do not need to be matched for an axis. The model number of the WE series identifies the size, type, accuracy class, preload class, etc.

# WE Series

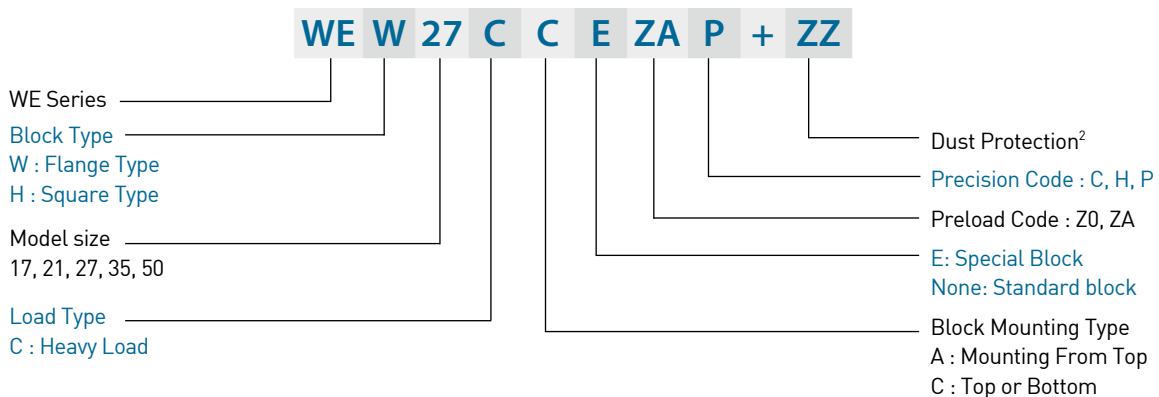
## Four-Row Wide Rail

### (1) Non-interchangeable type

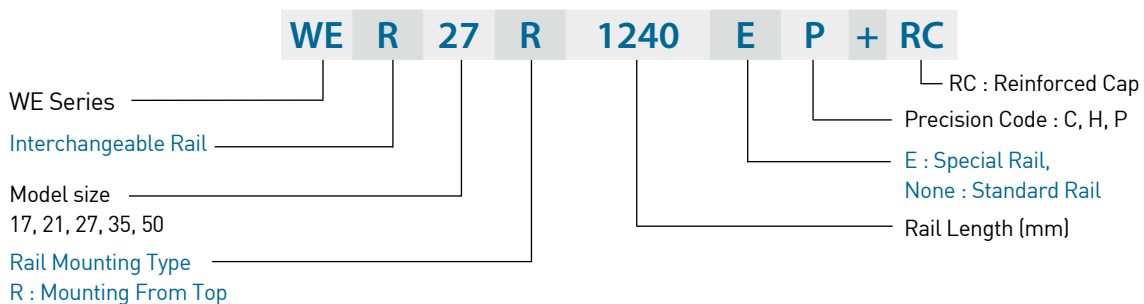


### (2) Interchangeable type

#### Model Number of WE Block



#### Model Number of WE Rail

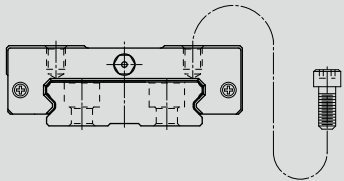
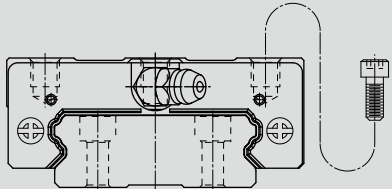
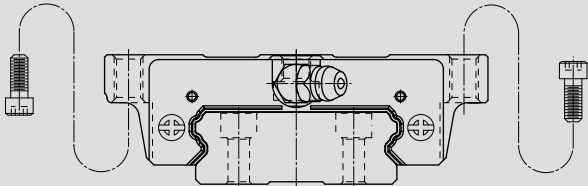


## 2-3-4 Types

### (1) Block types

HIWIN offers two types of linear guideways, flange and square types.

Table 2-3-1 Block Types

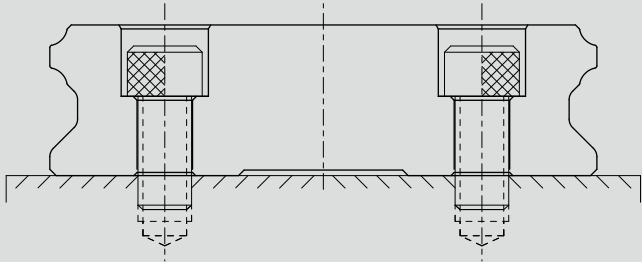
Type	Model	Shape	Height (mm)	Rail Length (mm)	Main Applications
Square	WEH-CA 17, 21		17	100	<ul style="list-style-type: none"> <li>○ Automation devices</li> <li>○ High-speed transportation equipment</li> <li>○ Precision measuring equipment</li> </ul>
			↓	↓	
Square	WEH-CA 27, 35, 50		27	100	<ul style="list-style-type: none"> <li>○ Semiconductor manufacturing equipment</li> <li>○ Blow Moulding machines</li> <li>○ Single Axis Robot-Robotics</li> </ul>
			↓	↓	
Flange	WEW-CC		17	100	<ul style="list-style-type: none"> <li>○ Single Axis Equipment with High Anti-rolling Requirement</li> </ul>
			↓	↓	
			50	4000	

\*Please refer to the chapter 2-3-13 for the dimensional detail.

### (2) Rail types

HIWIN offers standard top mounting type.

Table 2-3-2 Rail Types

Mounting from Top


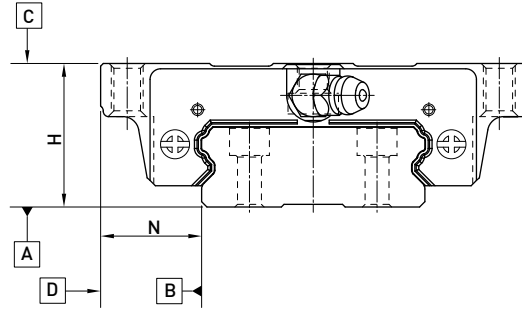


## WE Series

### Four-Row Wide Rail

### 2-3-5 Accuracy

The accuracy of the WE series can be classified into 5 classes: normal(C), high(H), precision(P), super precision(SP), and ultra precision(UP). Choose the class by referencing the accuracy of selected equipment.



### (1) Accuracy of non-interchangeable guideways

Table 2-3-3 Accuracy Standards

Unit: mm

Type	WE - 17, 21					WE - 27, 35				
	Normal (C)	High (H)	Precision (P)	Super Precision (SP)	Ultra Precision (UP)	Normal (C)	High (H)	Precision (P)	Super Precision (SP)	Ultra Precision (UP)
Dimensional tolerance of height H	±0.1	±0.03	0 -0.03	0 -0.015	0 -0.008	±0.1	±0.04	0 -0.04	0 -0.02	0 -0.01
Dimensional tolerance of width N	±0.1	±0.03	0 -0.03	0 -0.015	0 -0.008	±0.1	±0.04	0 -0.04	0 -0.02	0 -0.01
Variation of height H	0.02	0.01	0.006	0.004	0.003	0.02	0.015	0.007	0.005	0.003
Variation of width N	0.02	0.01	0.006	0.004	0.003	0.03	0.015	0.007	0.005	0.003
Running parallelism of block surface C to surface A	See Table 2-3-5									
Running parallelism of block surface D to surface B	See Table 2-3-5									

Type	WE - 50				
Accuracy Classes	Normal (C)	High (H)	Precision (P)	Super Precision (SP)	Ultra Precision (UP)
Dimensional tolerance of height H	±0.1	±0.05	0 -0.05	0 -0.03	0 -0.02
Dimensional tolerance of width N	±0.1	±0.05	0 -0.05	0 -0.03	0 -0.02
Variation of height H	0.03	0.02	0.01	0.01	0.00
Variation of width N	0.03	0.02	0.01	0.01	0.01
Running parallelism of block surface C to surface A	See Table 2-3-5				
Running parallelism of block surface D to surface B	See Table 2-3-5				

## (2) Accuracy of interchangeable guideways

Table 2-3-4 Accuracy Standards

Unit: mm

Item	WE - 17, 21			WE - 27, 35			WE - 50		
	Normal (C)	High (H)	Precision (P)	Normal (C)	High (H)	Precision (P)	Normal (C)	High (H)	Precision (P)
Dimensional tolerance of height H	± 0.1	± 0.03	± 0.015	± 0.1	± 0.04	± 0.02	± 0.1	± 0.05	± 0.025
Dimensional tolerance of width N	± 0.1	± 0.03	± 0.015	± 0.1	± 0.04	± 0.02	± 0.1	± 0.05	± 0.025
Variation of height H	0.02	0.01	0.006	0.02	0.015	0.007	0.03	0.015	0.007
Variation of width N	0.02	0.01	0.006	0.03	0.015	0.007	0.03	0.02	0.01
Running parallelism of block surface C to surface A	See Table 2-3-5								
Running parallelism of block surface D to surface B	See Table 2-3-5								

## (3) Accuracy of running parallelism

Table 2-3-5 Accuracy of Running Parallelism

Rail Length (mm)	Accuracy (µm)				
	C	H	P	SP	UP
~ 100	12	7	3	2	2
100 ~ 200	14	9	4	2	2
200 ~ 300	15	10	5	3	2
300 ~ 500	17	12	6	3	2
500 ~ 700	20	13	7	4	2
700 ~ 900	22	15	8	5	3
900 ~ 1,100	24	16	9	6	3
1,100 ~ 1,500	26	18	11	7	4
1,500 ~ 1,900	28	20	13	8	4
1,900 ~ 2,500	31	22	15	10	5
2,500 ~ 3,100	33	25	18	11	6
3,100 ~ 3,600	36	27	20	14	7
3,600 ~ 4,000	37	28	21	15	7

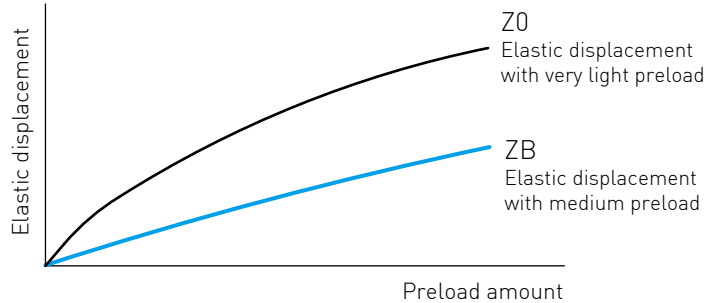
## WE Series

### Four-Row Wide Rail

#### 2-3-6 Preload

##### (1) Definition

A preload can be applied to each guideway. Generally, a linear motion guideway has a negative clearance between the groove and balls in order to improve stiffness and maintain high precision. The figure shows that adding a preload can improve stiffness of the linear guideway.



##### (2) Preload classes

HIWIN offers three standard preloads for various applications and conditions.

Table 2-3-6 Preload Classes

Class	Code	Preload	Condition
Very Light Preload	Z0	0~ 0.02C	Certain load direction, low impact, low precision requirement
Light Preload	ZA	0.03C~0.05C	low load and high precision requirement
Medium Preload	ZB	0.06C~ 0.08C	High rigidity requirement, with vibration and impact

Class	Interchangeable Guideway	Non-Interchangeable Guideway
Preload classes	Z0, ZA	Z0, ZA, ZB

Note: The "C" in the preload column denotes basic dynamic load rating.

#### 2-3-7 Lubrication

##### (1) Grease

**Grease nipple**

<p>M3x0.5P WE17 NO.34310010</p>	<p>M6x0.75P WE21 NO.3432000E</p>	<p>M6x0.75P WE27 WE35 NO.34320001</p>	<p>PT1/8 WE50 NO.34320003</p>
<p>M4x0.7P WE21 (For side lubrication hole) WE27 (For side lubrication hole) NO.34310002</p>	<p>M6x0.75P WE21 NO.34310008(OPTION)</p>	<p>M6x0.75P WE27 WE35 NO.34310003(OPTION)</p>	<p>PT1/8 WE50 NO.3431000B(OPTION)</p>

○ Mounting location

The standard location of the grease fitting is at both ends of the block, the nipple may be mounted in the side or top of the block. For lateral installation, we recommend that the nipple be mounted to the non-reference side, otherwise please contact us. When lubricating from above, in the recess for the O-ring, a smaller, preformed recess can be found. Preheat the 0.8 mm diameter metal tip. Carefully open the small recess with the metal tip and pierce through it. Insert a round sealing ring into the recess. (The round sealing ring is not supplied with the block) Do not open the small recess with a drill bit this may introduce the danger of contamination. It is possible to carry out the lubrication by using the oil-piping joint.

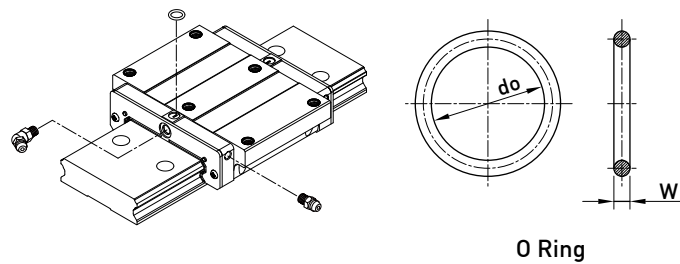
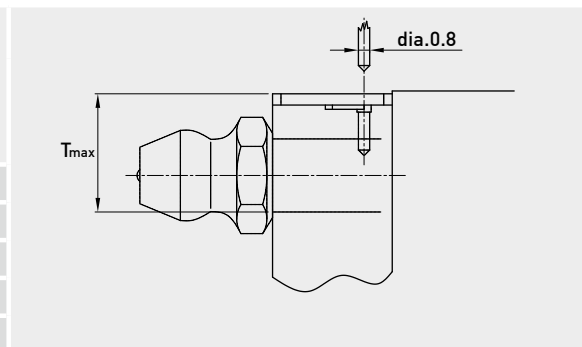


Table 2-3-7 O-Ring size and max. permissible depth for piercing

Size	O-Ring		Lube hole at top: max. permissible depth for piercing $T_{max}$
	do	W	
	(mm)	(mm)	(mm)
WE 21	2.5 ± 0.15	1.5 ± 0.15	4.2
WE 27	4.5 ± 0.15	1.5 ± 0.15	5.8
WE 35	4.5 ± 0.15	1.5 ± 0.15	7.6
WE 50	4.5 ± 0.15	1.5 ± 0.15	11.8



○ The oil amount for a block filled with grease

Table 2-3-8 The oil amount for a block filled with grease

Size	Heavy Load (cm <sup>3</sup> )	Size	Heavy Load (cm <sup>3</sup> )
WE17	1.4	WE27	3.6
WE21	2.4	WE35	9.5

○ Frequency of replenishment

Check the grease every 100 km, or every 3-6 months.

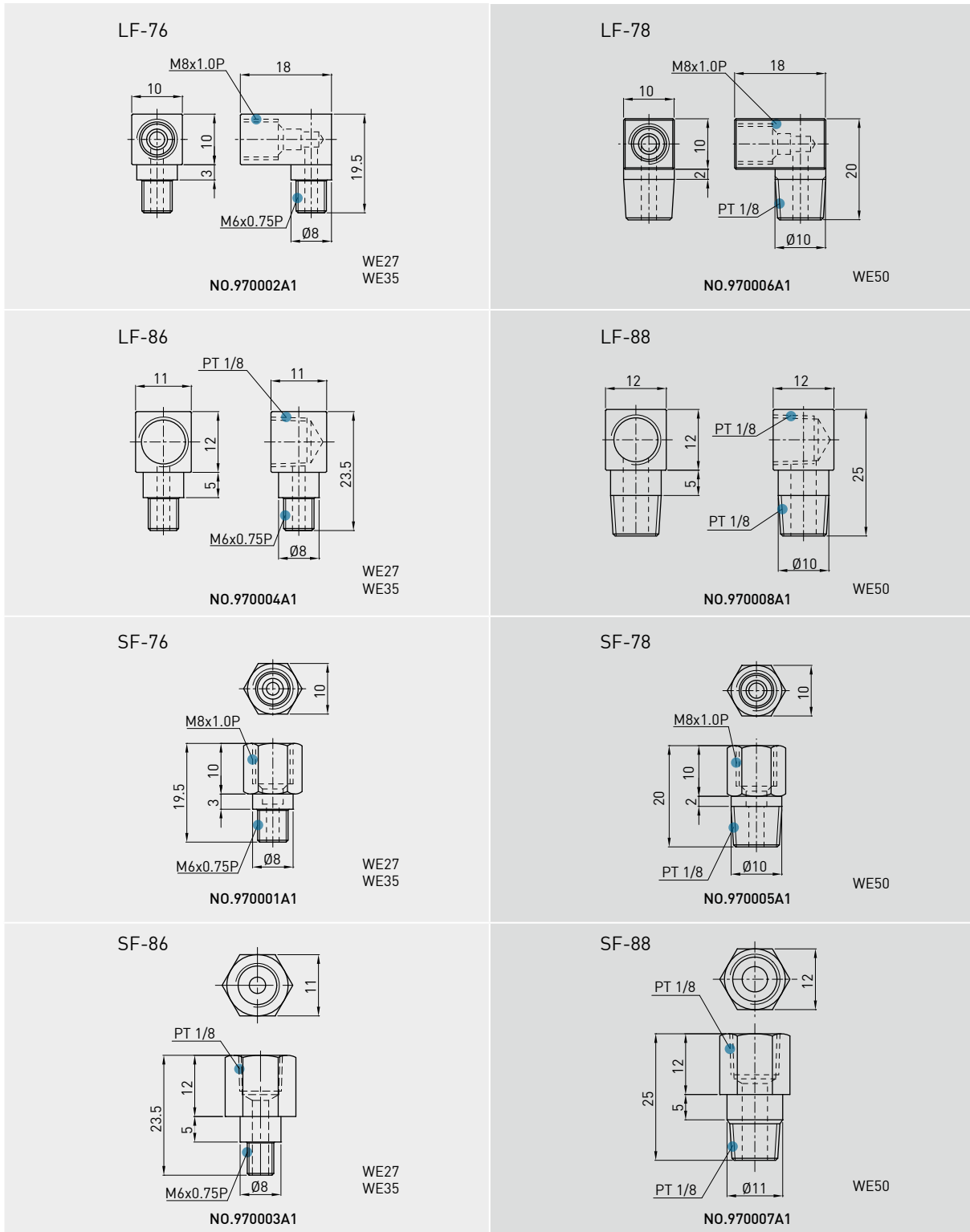
## WE Series

### Four-Row Wide Rail

#### (2) Oil

The recommended viscosity of oil is about 30-150cSt. If you need to use oil-type lubrication, please inform us.

#### Types of oil piping joint



Oil feeding rate

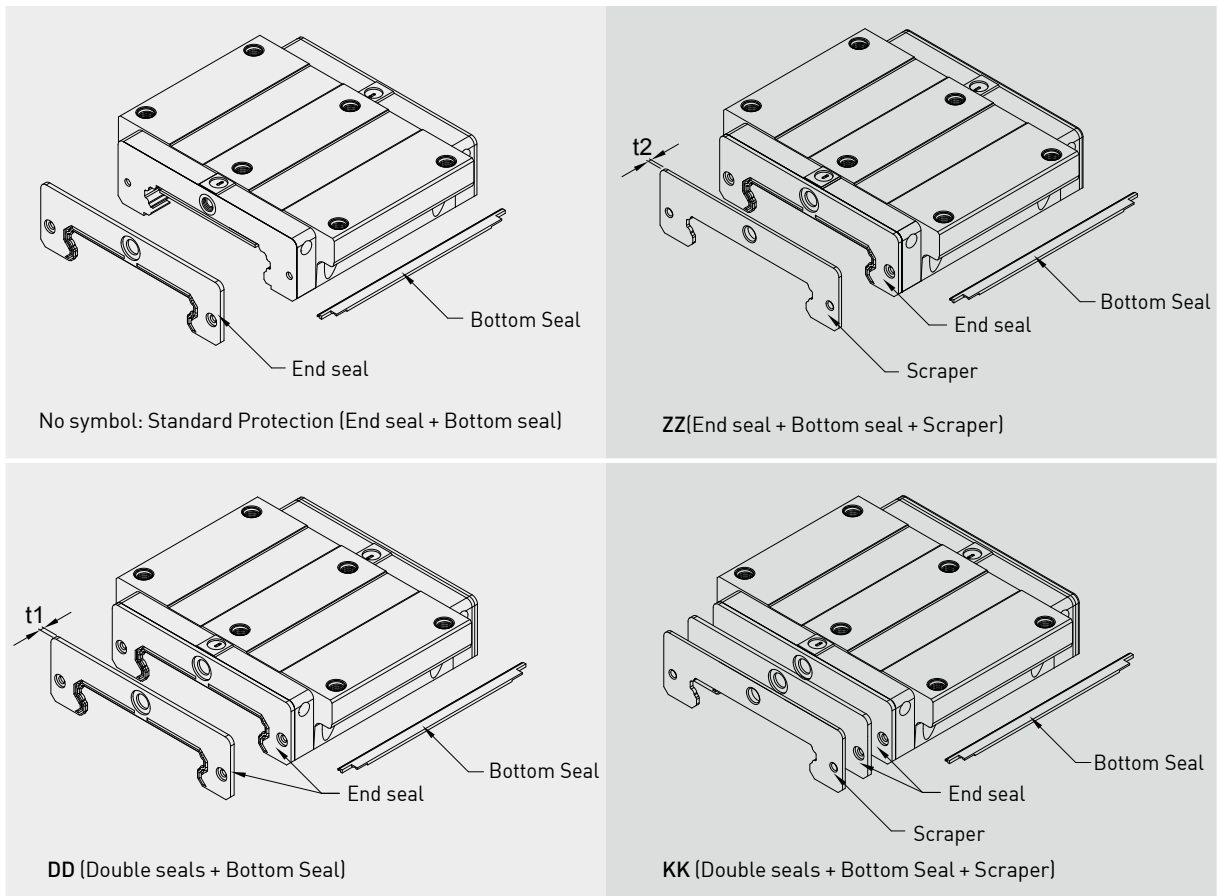
Table 2-3-9 oil feed rate

Size	feed rate (cm <sup>3</sup> /hr)
WE 17	0.15
WE 21	0.2
WE 27	0.2
WE 35	0.3
WE 50	0.4

## 2-3-8 Dust Protection Equipment

### (1) Codes of equipment

If the following equipment is needed, please indicate the code followed by the model number.



## WE Series

### Four-Row Wide Rail

#### (2) End seal and bottom seal

Protects against contaminants entering the block. Reduces potential for groove damage resulting in a reduction of life ratings.

#### (3) Double seals

Removes foreign matter from the rail preventing contaminants from entering the block.

Table 2-3-10 Dimensions of end seal

Size	Thickness (t1) (mm)	Size	Thickness (t1) (mm)
WE 17 ES	1.6	WE 35 ES	2
WE 21 ES	2	WE 50 ES	2.5
WE 27 ES	2		

#### (4) Scraper

Clears larger contaminants, such as weld spatter and metal cuttings, from the rail. Metal scraper protects end seals from excessive damage.

Table 2-3-11 Dimensions of Scraper

Size	Thickness (t2) (mm)	Size	Thickness (t2) (mm)
WE 17 SC	1	WE 35 SC	1.5
WE 21 SC	1	WE 50 SC	1
WE 27 SC	1		

#### (5) Bolt caps for rail mounting holes

Rail mounting hole caps prevent foreign matter from accumulating in the mounting holes. Caps are included with the rail package.

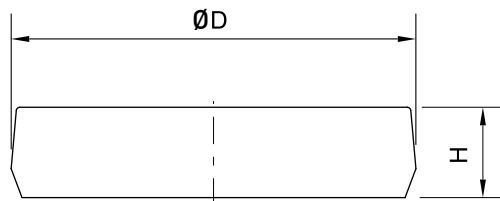


Table 2-3-12 Dimensions of Bolt Caps for Rail Mounting Holes

Rail size	Bolt size	Diameter(D) (mm)	Thickness(H) (mm)
WER17R	M4	7.65	1.1
WER21R	M4	7.65	1.1
WER27R	M4	7.65	1.1
WER35R	M6	11.20	2.5
WER50R	M8	14.25	3.3

(6) Dimensions of block equipped with the dustproof parts

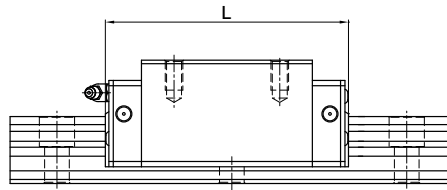


Table 2-3-13 Overall block length

unit: mm

Size	Overall block length (L)			
	Standard	ZZ	DD	KK
WE17C	50.6	52.6	53.8	55.8
WE21C	59	61	63	65
WE27C	72.8	74.8	76.8	78.8
WE35C	102.6	105.6	106.6	109.6
WE50C	140	142	145	147

2-3-9 Friction

The maximum value of resistance per end seal are as shown in the table.

Table 2-3-14 Seal Resistance

Size	Resistance N (kgf)	Size	Resistance N (kgf)
WE 17	1.18 [0.12]	WE 35	3.92 [0.4]
WE 21	1.96 [0.2]	WE 50	3.92 [0.4]
WE 27	2.94 [0.3]		

Note: 1kgf=9.81N

2-3-10 Mounting Surface Accuracy Tolerance

Because of the circular-arc contact design, the WE linear guideway can withstand surface-error installation and deliver smooth linear motion. When the mounting surface meets the accuracy requirements of the installation, the high accuracy and rigidity of the guideway will be obtained without any difficulty. For faster installation and smoother movement, HIWIN offers a preload with normal clearance because of its ability to absorb higher deviations in mounting surface inaccuracies.

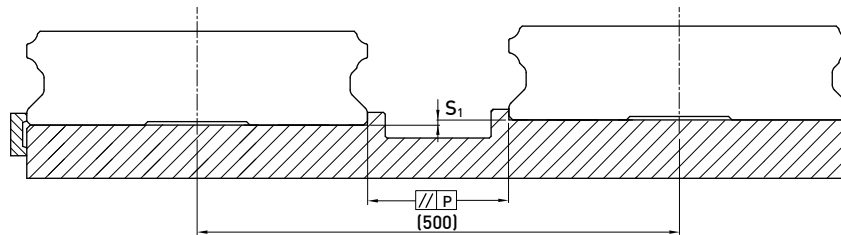


Table 2-3-15 Max. Parallelism Tolerance (P)

unit: μm

Size	Preload classes			Size	Preload classes		
	Z0	ZA	ZB		Z0	ZA	ZB
WE 17	20	15	9	WE 35	30	22	20
WE 21	25	18	9	WE 50	40	30	27
WE 27	25	20	13				

Table 2-3-16 Max. Tolerance of Reference Surface Height (S<sub>1</sub>)

unit: μm

Size	Preload classes			Size	Preload classes		
	Z0	ZA	ZB		Z0	ZA	ZB
WE 17	65	20	-	WE 35	130	85	70
WE 21	130	85	45	WE 50	170	110	90
WE 27	130	85	45				

Note : Permissible value is proportional to the axial distance.



## WE Series

### Four-Row Wide Rail

#### 2-3-11 Cautions for Installation

##### (1) Shoulder heights and chamfers

Improper shoulder heights and chamfers of mounting surfaces will cause deviations in accuracy and rail or block interference with the chamfered part.

When recommended shoulder heights and chamfers are used, problems with installation accuracy should be eliminated.

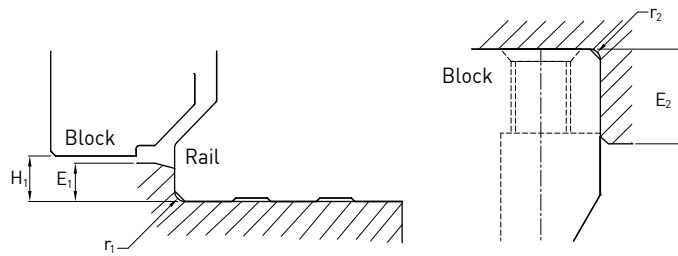


Table 2-3-17 Shoulder Heights and Chamfers

unit: mm

Size	Max. radius of fillets $r_1$ (mm)	Max. radius of fillets $r_2$ (mm)	Shoulder height of the rail $E_1$ (mm)	Shoulder height of the block $E_2$ (mm)	Clearance under block $H_1$ (mm)
WE 17	0.4	0.4	2.0	4.0	2.5
WE 21	0.4	0.4	2.5	5.0	3.0
WE 27	0.5	0.4	3.0	7.0	4.0
WE 35	0.5	0.5	3.5	10.0	4.0
WE 50	0.8	0.8	6.0	10.0	7.5

##### (2) Tightening Torque of Bolts for Installation

Improperly tightened mounting bolts will seriously affect the accuracy of linear guide installations. The following tightening torques for different sizes of bolts are recommended.

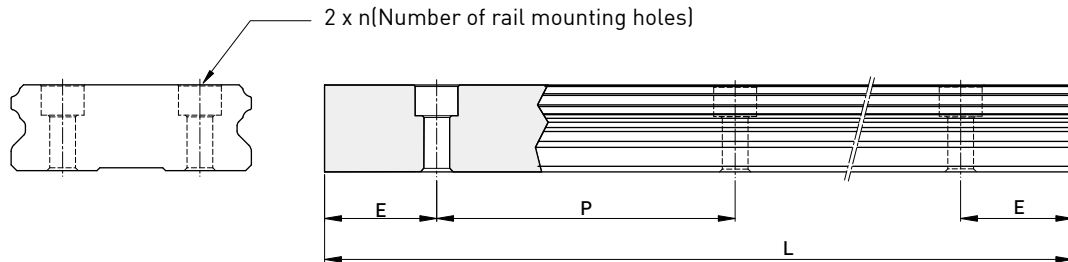
Table 2-3-18 Tightening Torque

Size	Bolt size	Torque N-cm(kgf-cm)		
		Iron	Casting	Aluminum
WE 17	M4×0.7P×12L	392(40)	274(28)	206(21)
WE 21	M4×0.7P×12L	392(40)	274(28)	206(21)
WE 27	M4×0.7P×16L	392(40)	274(28)	206(21)
WE 35	M6×1P×20L	1373(140)	921(94)	686(70)
WE 50	M8×1.25P×25L	3041(310)	2010(205)	1470(150)

Note: 1 kgf = 9.81 N

## 2-3-12 Standard and Maximum Lengths of Rail

HIWIN offers a number of standard rail lengths. Standard rail lengths feature end mounting hole placements set to predetermined values (E). For non-standard rail lengths, be sure to specify the E-value to be no greater than 1/2 the pitch (P) dimension. An E-value greater than this will result in unstable rail ends.



$$L = (n - 1) \times P + 2 \times E \quad \text{Eq.2.3}$$

L : Total length of rail (mm)

n : Number of mounting holes

P : Distance between any two holes (mm)

E : Distance from the center of the last hole to the edge (mm)

Table 2-3-19 Rail Standard Length and Max. Length

unit: mm

Item	WER17	WER21	WER27	WER35	WER50
Standard Length L(n)	110 (3)	130 (3)	220 (4)	280 (4)	280 (4)
	190 (5)	230 (5)	280 (5)	440 (6)	440 (6)
	310 (8)	380 (8)	340 (6)	600 (8)	600 (8)
	390 (10)	480 (10)	460 (8)	760 (10)	760 (10)
	470 (12)	580 (12)	640 (11)	1000 (13)	1,000 (13)
	550 (14)	780 (16)	820 (14)	1,640 (21)	1,640 (21)
	-	-	1,000 (17)	2,040 (26)	2,040 (26)
	-	-	1,240 (21)	2,520 (32)	2,520 (32)
	-	-	1,600 (27)	3,000 (38)	3,000 (38)
Pitch (P)	40	50	60	80	80
Distance to End (E <sub>s</sub> )	15	15	20	20	20
Max. Standard Length	4,000 (100)	4,000 (80)	4,000 (67)	3,960 (50)	3,960 (50)
Max. Length	4,000	4,000	4,000	4,000	4,000

- Note :
1. Tolerance of E value for standard rail is 0.5--0.5 mm. Tolerance of E value for jointed rail is 0--0.3 mm.
  2. Maximum standard length means the max. rail length with standard E value on both sides.
  3. If different E value is needed, please contact HIWIN.

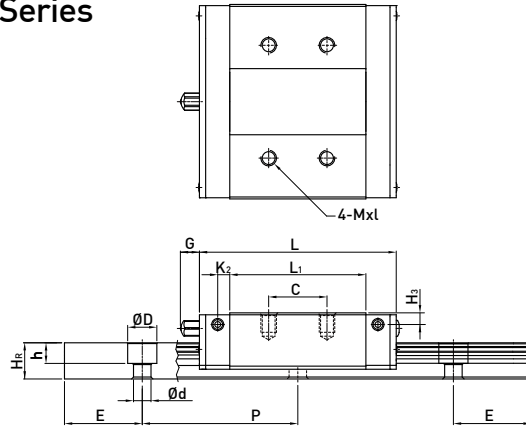
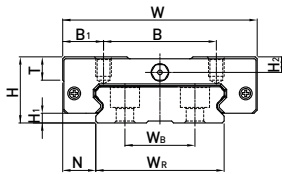
# WE Series

## Four-Row Wide Rail

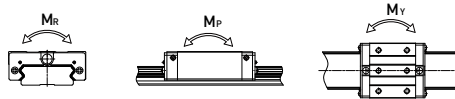
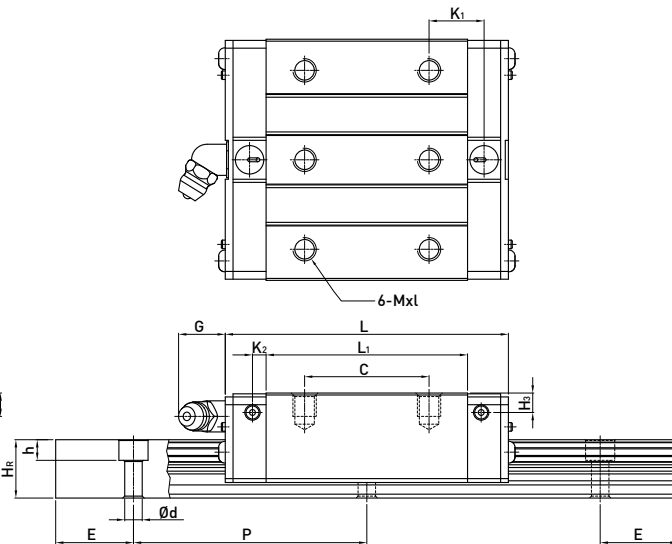
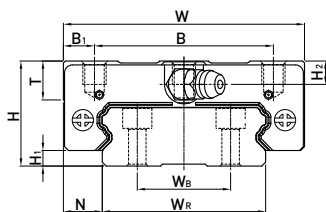
### 2-3-13 Dimensions for HIWIN WE Series

#### (1) WEH-CA

WEH17CA  
WEH21CA



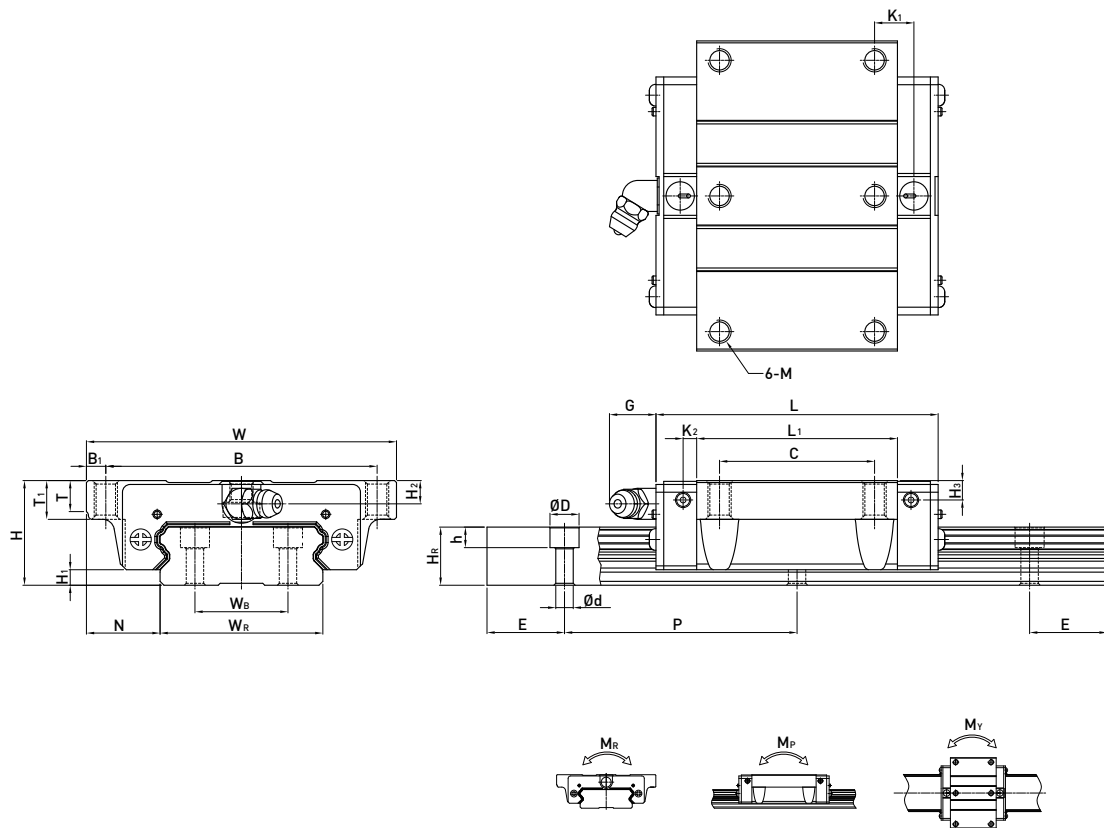
WEH27CA  
WEH35CA  
WEH50CA



Model No.	Dimensions of Assembly (mm)		Dimensions of Block (mm)											Dimensions of Rail (mm)					Mounting Bolt for Rail (mm)	Basic Dynamic Load Rating C (kN)	Basic Static Load Rating C <sub>0</sub> (kN)	Static Rated Moment			Weight							
	H	H <sub>1</sub>	N	W	B	B <sub>1</sub>	C	L <sub>1</sub>	L	K <sub>1</sub>	K <sub>2</sub>	G	Mxl	T	H <sub>2</sub>	H <sub>3</sub>	W <sub>R</sub>	W <sub>B</sub>				H <sub>R</sub>	D	h	d	P	E	M <sub>R</sub>	M <sub>P</sub>	M <sub>Y</sub>	Block	Rail
	mm	mm	mm	mm	mm	mm	mm	mm	mm	mm	mm	mm	mm	mm	mm	mm	mm	mm	mm	mm	mm	mm	mm	mm	mm	kN-m	kN-m	kN-m	kg	kg/m		
WEH17CA	17	2.5	8.5	50	29	10.5	15	35	50.6	-	3.1	4.9	M4x5	6	4	3	33	18	9.3	7.5	5.3	4.5	40	15	M4x12	5.23	9.64	0.15	0.062	0.062	0.12	2.2
WEH21CA	21	3	8.5	54	31	11.5	19	41.7	59	14.68	3.65	12	M5x6	8	4.5	4.2	37	22	11	7.5	5.3	4.5	50	15	M4x12	7.21	13.7	0.23	0.10	0.10	0.20	3.0
WEH27CA	27	4	10	62	46	8	32	51.8	72.8	14.15	3.5	12	M6x6	10	6	5	42	24	15	7.5	5.3	4.5	60	20	M4x16	12.4	21.6	0.42	0.17	0.17	0.35	4.7
WEH35CA	35	4	15.5	100	76	12	50	77.6	102.6	18.35	5.25	12	M8x8	13	8	6.5	69	40	19	11	9	7	80	20	M6x20	29.8	49.4	1.48	0.67	0.67	1.1	9.7
WEH50CA	50	7.5	20	130	100	15	65	112	140	28.05	6	12.9	M10x15	19.5	12	10.5	90	60	24	14	12	9	80	20	M8x25	61.52	97.1	4.03	1.96	1.96	3.16	14.6

Note : 1 kgf = 9.81 N

(2) WEW-CC



Model No.	Dimensions of Assembly (mm)			Dimensions of Block (mm)													Dimensions of Rail (mm)					Mounting Bolt for Rail (mm)	Basic Dynamic Load Rating C (kN)	Basic Static Load Rating C <sub>0</sub> (kN)	Static Rated Moment			Weight					
	H	H <sub>1</sub>	N	W	B	B <sub>1</sub>	C	L <sub>1</sub>	L	K <sub>1</sub>	K <sub>2</sub>	G	M	T	T <sub>1</sub>	H <sub>2</sub>	H <sub>3</sub>	W <sub>R</sub>	W <sub>B</sub>	H <sub>R</sub>	D				h	d	P	E	M <sub>R</sub>	M <sub>P</sub>	M <sub>Y</sub>	Block	Rail
	mm	mm	mm	mm	mm	mm	mm	mm	mm	mm	mm	mm	mm	mm	mm	mm	mm	mm	mm	mm	mm				mm	mm	mm	mm	mm	kN-m	kN-m	kN-m	kg
WEW17CC	17	2.5	13.5	60	53	3.5	26	35	50.6	-	3.1	4.9	M4	5.3	6	4	3	33	18	9.3	7.5	5.3	4.5	40	15	M4x12	5.23	9.64	0.15	0.062	0.062	0.13	2.2
WEW21CC	21	3	15.5	68	60	4	29	41.7	59	9.68	3.65	12	M5	7.3	8	4.5	4.2	37	22	11	7.5	5.3	4.5	50	15	M4x12	7.21	13.7	0.23	0.10	0.10	0.23	3.0
WEW27CC	27	4	19	80	70	5	40	51.8	72.8	10.15	3.5	12	M6	8	10	6	5	42	24	15	7.5	5.3	4.5	60	20	M4x16	12.4	21.6	0.42	0.17	0.17	0.43	4.7
WEW35CC	35	4	25.5	120	107	6.5	60	77.6	102.6	13.35	5.25	12	M8	11.2	14	8	6.5	69	40	19	11	9	7	80	20	M6x20	29.8	49.4	1.48	0.67	0.67	1.26	9.7
WEW50CC	50	7.5	36	162	144	9	80	112	140	20.55	6	12.9	M10	14	18	12	10.5	90	60	24	14	12	9	80	20	M8x25	61.52	97.1	4.03	1.96	1.96	3.71	14.6

Note : 1 kgf = 9.81 N

## MG Series

### Miniature

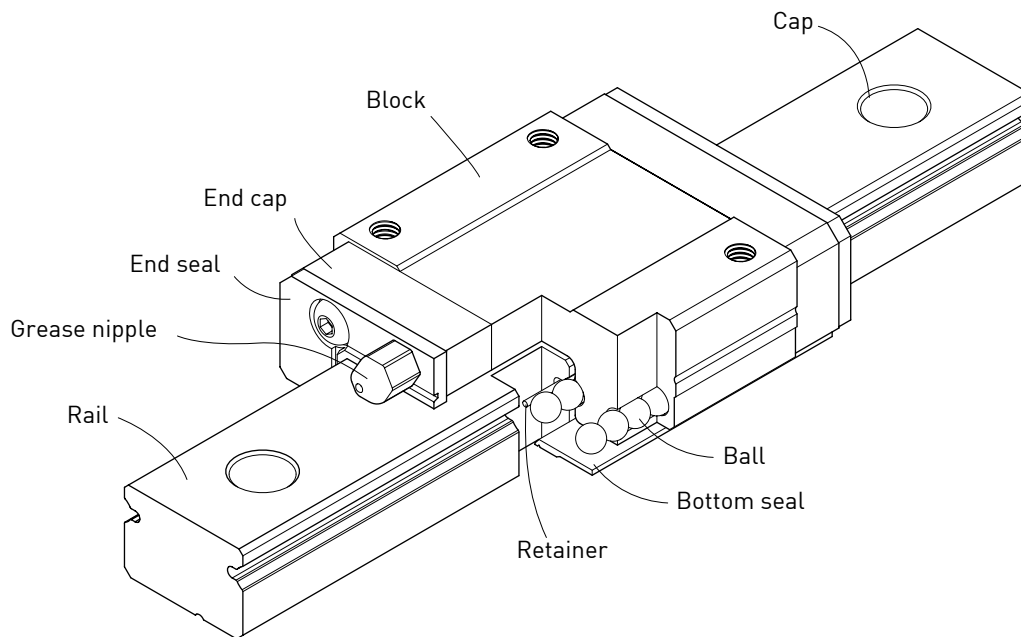
## 2-4 MG Series - Miniature Linear Guideway

### 2-4-1 Features of MGN Series

Design features of narrow type miniature guideways- MGN:

1. Tiny and light weight, suitable for miniature equipment.
2. All materials for block and rail, including ball retainers, are made in a special grade of stainless steel for anti-corrosion purpose.
3. Gothic arch contact design can sustain loads from all directions and offer high rigidity and high accuracy.
4. Steel balls are held by a miniature retainer to avoid balls from falling out, even when the blocks are removed from the rail.
5. Interchangeable types are available in certain precision grades.

### 2-4-2 Construction of MGN Series



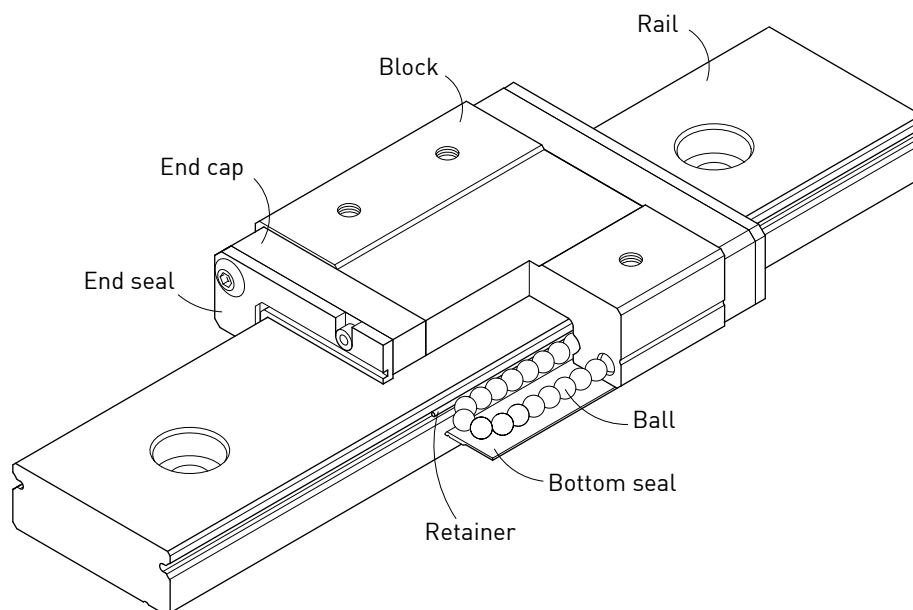
- Rolling circulation system: Block, rail, end cap and retainer
- Lubrication system: Grease nipple is available for MGN15, lubricated by grease gun.
- Dust protection system: End seal, bottom seal (optional size 9,12,15), cap (size12,15)

### 2-4-3 Features of MGW Series

Design features of wide type miniature guideways- MGW:

1. The enlarged width design increases the capacity of moment loading.
2. Gothic arch contact design has high rigidity characteristic in all directions.
3. Steel balls are held by a miniature retainer to avoid balls from falling out, even when the blocks are removed from the rail.
4. All metallic components are made of stainless steel for anti-corrosion purpose.

### 2-4-4 Construction of MGW Series



- Rolling circulation system: Block, rail, end cap and retainer
- Lubrication system: Grease nipple is available for MGN15, lubricated by grease gun.
- Dust protection system: End seal, bottom seal (optional size 9,12,15), cap (size12,15)

### 2-4-5 Application

MGN/MGW series can be used in various applications, such as semiconductor equipment, PCB /IC equipment, medication, robotics, measuring equipment, automation equipment, and other miniature sliding machinery.

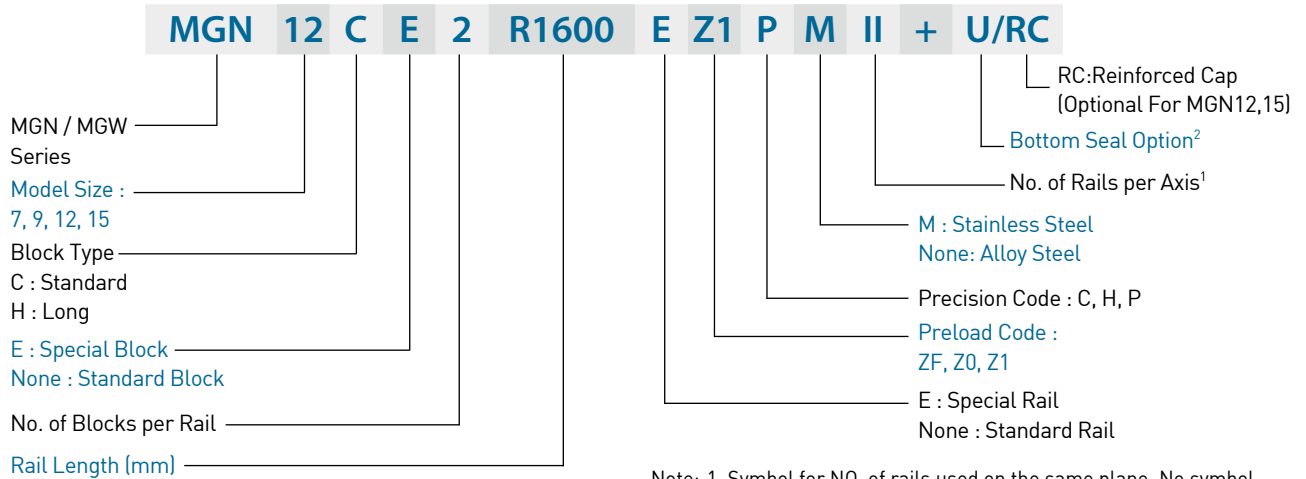
### 2-4-6 Model Number of MGN/MGW Series

MGN and MGW series linear guideway can be classified into non-interchangeable and interchangeable types, which are the same size. The interchangeable type is more convenient due to replaceable rails; however, the precision is less than non-interchangeable type. With strict dimension and quality control, the interchangeable type linear guideways are a suitable choice for customers when rails don't need to be paired. The model number contains information of the size, type, accuracy, preload, and so on.

# MG Series

## Miniature

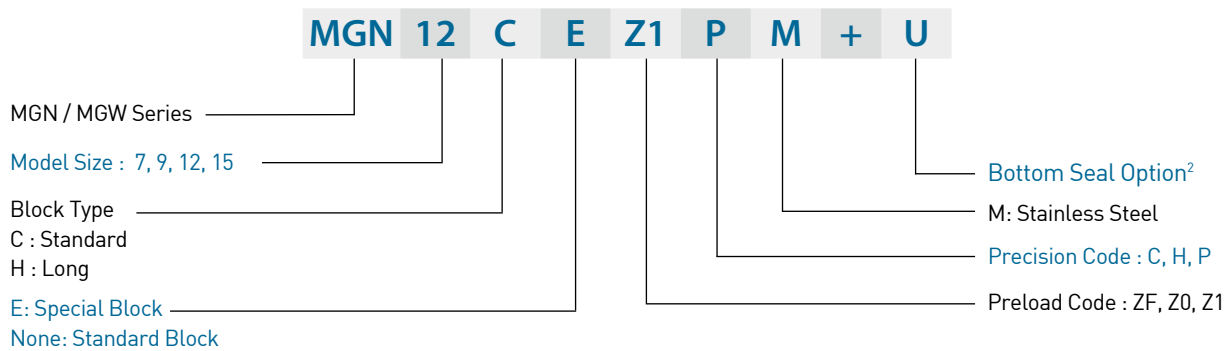
### (1) Non-interchangeable type



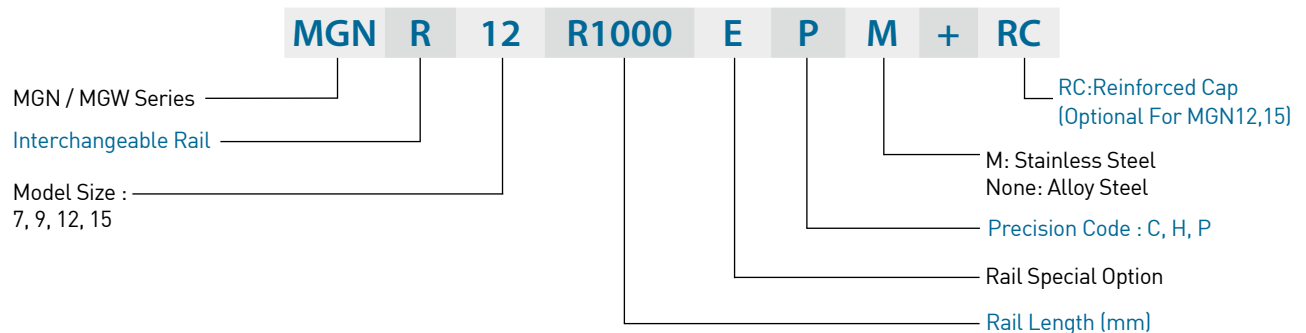
Note: 1. Symbol for NO. of rails used on the same plane. No symbol indicates single rail in an axis.  
2. The bottom seal is available for MGN & MGW 9, 12, 15.

### (2) Interchangeable type

#### ○ Interchangeable Block



#### ○ Interchangeable Rail

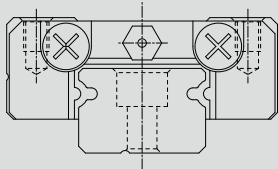
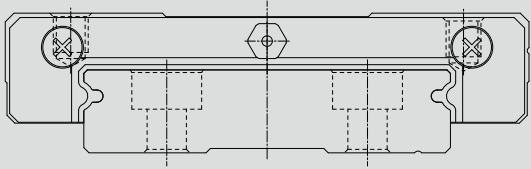


## 2-4-7 Types

### (1) Block types

HIWIN offers two types of linear guideways, flange and square types.

Table 2-4-1 Block Types

Type	Model	Shape	Height (mm)	Rail Length (mm)	Main Applications
Square	MGN-C MGN-H		8	100	<ul style="list-style-type: none"> <li>○ Printer</li> <li>○ Robotics</li> <li>○ Precision measure equipment</li> <li>○ Semiconductor equipment</li> </ul>
			↓	↓	
16	2000				
Flange	MGW-C MGW-H		9	100	
			↓	↓	
16	2000				

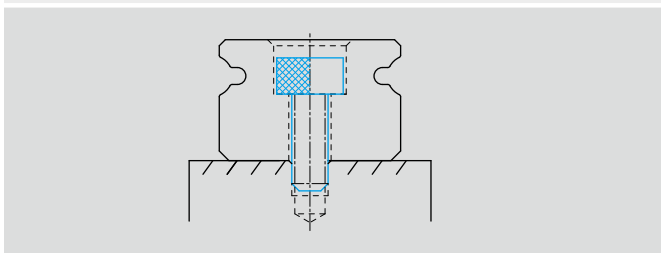
\*Please refer to the chapter 2-4-14 for the dimensional detail.

### (2) Rail types

HIWIN offers standard top mounting type.

Table 2-4-2 Rail Types

#### Mounting from Top



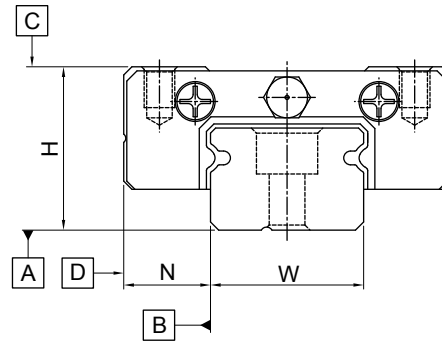


## MG Series

### Miniature

### 2-4-8 Accuracy Classes

The accuracy of MGN/MGW series can be classified into three classes: normal (C), high (H), precision (P). Choices for different accuracy classes are available according to various requirements.



#### (1) Accuracy of non-interchangeable guideways

Table 2-4-3 Accuracy Standard of Non-interchangeable Type

Unit: mm

Accuracy Classes	Normal (C)	High (H)	Precision (P)
Dimensional tolerance of height H	± 0.04	± 0.02	± 0.01
Dimensional tolerance of width N	± 0.04	± 0.025	± 0.015
Pair Variation of height H	0.03	0.015	0.007
Pair Variation of width N (Master Rail)	0.03	0.02	0.01
Running parallelism of block surface C to surface A	See Table 2-4-5		
Running parallelism of block surface D to surface B	See Table 2-4-5		

#### (2) Accuracy of interchangeable guideways

Table 2-4-4 Accuracy Standard of Interchangeable Type

Unit: mm

Accuracy Classes	Normal (C)	High (H)	Precision (P)
Dimensional tolerance of height H	± 0.04	± 0.02	± 0.01
Dimensional tolerance of width N	± 0.04	± 0.025	± 0.015
One Set	Pair Variation of height H	0.03	0.015
	Pair Variation of width N	0.03	0.02
Pair Variation of width N (Master Rail)	0.07	0.04	0.02
Running parallelism of block surface C to surface A	See Table 2-4-5		
Running parallelism of block surface D to surface B	See Table 2-4-5		

### (3) Accuracy of running parallelism

The running parallelism C to A and D to B are related to the rail length.

Table 2-4-5 Accuracy of Running Parallelism

Rail Length (mm)	Accuracy ( $\mu\text{m}$ )			Rail Length (mm)	Accuracy ( $\mu\text{m}$ )		
	(C)	(H)	(P)		(C)	(H)	(P)
~ 50	12	6	2	1,000 ~ 1,200	25	18	11
50 ~ 80	13	7	3	1,200 ~ 1,300	25	18	11
80 ~ 125	14	8	3.5	1,300 ~ 1,400	26	19	12
125 ~ 200	15	9	4	1,400 ~ 1,500	27	19	12
200 ~ 250	16	10	5	1,500 ~ 1,600	28	20	13
250 ~ 315	17	11	5	1,600 ~ 1,700	29	20	14
315 ~ 400	18	11	6	1,700 ~ 1,800	30	21	14
400 ~ 500	19	12	6	1,800 ~ 1,900	30	21	15
500 ~ 630	20	13	7	1,900 ~ 2,000	31	22	15
630 ~ 800	22	14	8	2,000 ~	31	22	16
800 ~ 1,000	23	16	9				

### 2-4-9 Preload

MGN/MGW series provides three different preload levels for various applications.

Table 2-4-6 Preload Classes

Class	Code	Preload	Accuracy
Light Clearance	ZF	Clearance 4~10 $\mu\text{m}$	C
Very Light Preload	Z0	0	C~P
Light Preload	Z1	0.02C	C~P

Note: "C" in column preload means basic dynamic load rating.

### 2-4-10 Dust Proof Accessories

End seals and standard accessories fixed on both sides of the block can prevent dust from entering the block, so the accuracy and service life of a linear guideway can be maintained. Bottom seals are fixed under the skirt portion of the block to prevent dust from entering. Customers can order bottom seals by adding the mark "+U" followed by the model number. Sizes 9, 12 and 15 provide bottom seals as an option, but size 7 does not offer the option due to the space limit of  $H_1$ . Note that " $H_1$ " would be reduced if bottom seals are attached, be aware of possible interference between block and mounting surface.

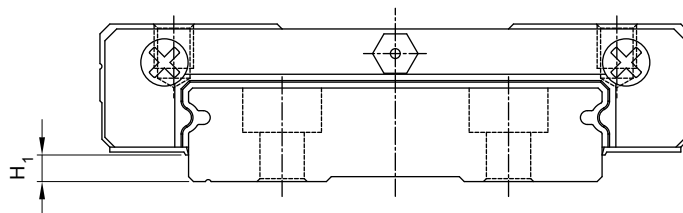


Table 2-4-7

Size	Bottom seal	$H_1$ mm	Size	Bottom seal	$H_1$ mm
MGN7	-	-	MGW7	-	-
MGN9	●	1	MGW9	●	1.9
MGN12	●	2	MGW12	●	2.4
MGN15	●	3	MGW15	●	2.4

## MG Series

### Miniature

#### 2-4-11 Mounting Surface Accuracy Tolerance

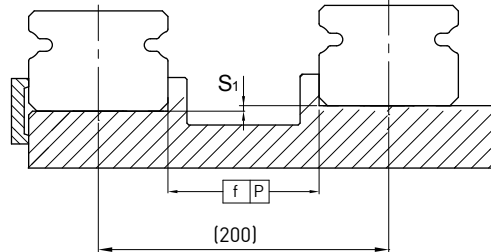


Table 2-4-8 Max. Parallelism Tolerance (P)

unit:  $\mu\text{m}$

Size	Preload classes		
	ZF	Z0	Z1
MG7	3	3	3
MG9	4	4	3
MG12	9	9	5
MG15	10	10	6

Table 2-4-9 Max. Tolerance of Reference Surface Height ( $S_1$ )

unit:  $\mu\text{m}$

Size	Preload classes		
	ZF	Z0	Z1
MG7	25	25	3
MG9	35	35	6
MG12	50	50	12
MG15	60	60	20

Table 2-4-10 Permissible Error of Mounting Surface

unit: mm

Size	Flatness of the Mounting Surface
MG7	0.025/200
MG9	0.035/200
MG12	0.050/200
MG15	0.060/200

Note: The values above are suitable for preload of ZF/Z0. For preload of Z1 or using two(or more) rails on the same plane, 50% or less of the values above are recommended.

## 2-4-12 Cautions for Installation

- Shoulder heights and fillets

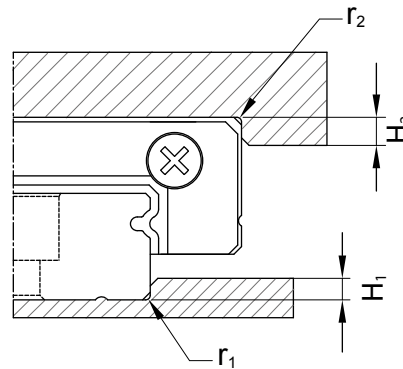


Table 2-4-11 Shoulder Heights and Fillets

Size	Max. radius of fillets $r_1$ (mm)	Max. radius of fillets $r_2$ (mm)	Shoulder height $H_1$ (mm)	Shoulder height $H_2$ (mm)
MGN7	0.2	0.2	1.2	3
MGN9	0.2	0.3	1.7	3
MGN12	0.3	0.4	1.7	4
MGN15	0.5	0.5	2.5	5
MGW7	0.2	0.2	1.7	3
MGW9	0.3	0.3	2.5	3
MGW12	0.4	0.4	3	4
MGW15	0.4	0.8	3	5

- Tightening torque of bolts for installation

Improper tightening of rail mounting bolts will seriously affect the accuracy of the linear guideway. The following table lists the recommended tightening torque for the specific bolt sizes.

Table 2-4-12 Tightening Torque

Size	Bolt size	Torque, N-cm (kgf-cm)		
		Iron	Casting	Aluminum
MGN7	M2×0.4P×6L	57 (5.9)	39.2 (4)	29.4 (3)
MGN9	M3×0.5P×8L	186 (19)	127 (13)	98 (10)
MGN12	M3×0.5P×8L	186 (19)	127 (13)	98 (10)
MGN15	M3×0.5P×10L	186 (19)	127 (13)	98 (10)
MGW7	M3×0.5P×6L	186 (19)	127 (13)	98 (10)
MGW9	M3×0.5P×8L	186 (19)	127 (13)	98 (10)
MGW12	M4×0.7P×8L	392 (40)	274 (28)	206 (21)
MGW15	M4×0.7P×10L	392 (40)	274 (28)	206 (21)

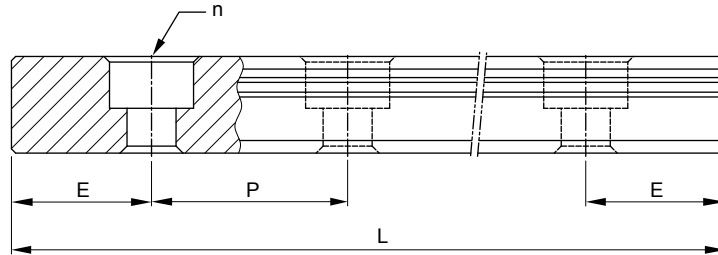
Note : 1 kgf = 9.81 N

## MG Series

### Miniature

#### 2-4-13 Standard and Maximum Lengths of Rail

Hiwin offers standard lengths of rail for instant requirements. For non-standard rail lengths, it's recommended that the E value is no greater than 1/2 of the pitch(P) to prevent instability at the end of the rail, and the E value should be no less than Emin to avoid a broken mounting hole.



$$L = (n - 1) \times P + 2 \times E \quad \text{Eq.2.4}$$

L : Total length of rail (mm)

n : Number of mounting holes

P : Distance between any two holes (mm)

E : Distance from the center of the last hole to the edge (mm)

Table 2-4-13

unit: mm

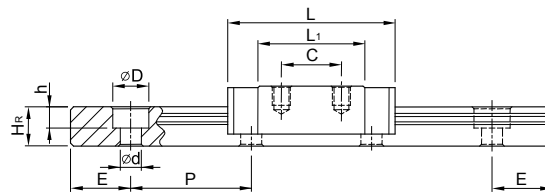
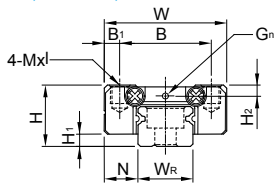
Item	MGNR	MGNR	MGNR	MGNR	MGWR	MGWR	MGWR	MGWR
	7M	9M	12M	15M	7M	9M	12M	15M
Standard Length L (n)	40 (3)	55 (3)	70 (3)	70 (2)	80 (3)	80 (3)	110 (3)	110 (3)
	55 (4)	75 (4)	95 (4)	110 (3)	110 (4)	110 (4)	150 (4)	150 (4)
	70 (5)	95 (5)	120 (5)	150 (4)	140 (5)	140 (5)	190 (5)	190 (5)
	85 (6)	115 (6)	145 (6)	190 (5)	170 (6)	170 (6)	230 (6)	230 (6)
	100 (7)	135 (7)	170 (7)	230 (6)	200 (7)	200 (7)	270 (7)	270 (7)
	130 (9)	155 (8)	195 (8)	270 (7)	260 (9)	230 (8)	310 (8)	310 (8)
		175 (9)	220 (9)	310 (8)		260 (9)	350 (9)	350 (9)
		195 (10)	245 (10)	350 (9)		290 (10)	390 (10)	390 (10)
		275 (14)	270 (11)	390 (10)		350 (14)	430 (11)	430 (11)
		375 (19)	320 (13)	430 (11)		500 (19)	510 (13)	510 (13)
			370 (15)	470 (12)		710 (24)	590 (15)	590 (15)
			470 (19)	550 (14)		860 (29)	750 (19)	750 (19)
			570 (23)	670 (17)			910 (23)	910 (23)
		695 (28)	870 (22)			1070 (27)	1070 (27)	
Pitch (P)	15	20	25	40	30	30	40	40
Distance to End (E <sub>s</sub> )	5	7.5	10	15	10	10	15	15
Max. Standard Length	595 (40)	1195 (60)	1995 (80)	1990 (50)	590 (20)	1970 (60)	1990 (50)	1990 (50)
Max. Length	600	1200	2000	2000	600	2000	2000	2000

- Note:
1. Tolerance of E value for standard rail is 0.5--0.5 mm. Tolerance of E value for jointed rail is 0--0.3 mm.
  2. Maximum standard length indicates the max. rail length with standard E value on both sides.
  3. The specification with "M" mark stands for stainless steel.
  4. If smaller E value is needed, please contact HIWIN.

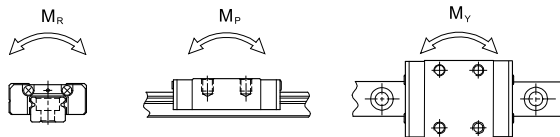
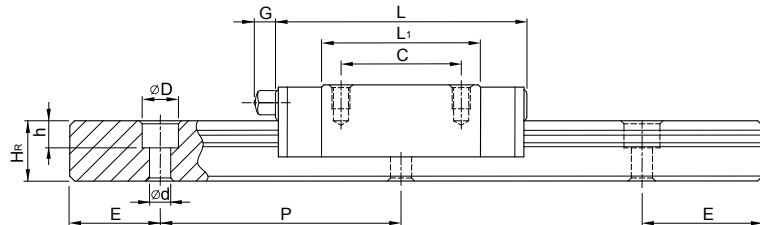
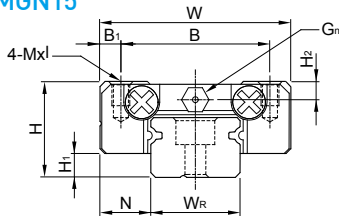
## 2-4-14 Dimensions for MGN/MGW Series

### (1) MGN-C / MGN-H

#### MGN7, MGN9, MGN12



#### MGN15



Model No.	Dimensions of Assembly (mm)		Dimensions of Block (mm)										Dimensions of Rail (mm)					Mounting Bolt for Rail (mm)	Basic Dynamic Load Rating C (kN)	Basic Static Load Rating C <sub>0</sub> (kN)	Static Rated Moment			Weight					
	H	H <sub>1</sub>	N	W	B	B <sub>1</sub>	C	L <sub>1</sub>	L	G	G <sub>0</sub>	Mxl	H <sub>2</sub>	W <sub>R</sub>	H <sub>R</sub>	D	h				d	P	E	M <sub>R</sub>	M <sub>P</sub>	M <sub>V</sub>	Block	Rail	
																								C (kN)	C <sub>0</sub> (kN)	N-m	N-m	N-m	kg
MGN7C	8	1.5	5	17	12	2.5	8	13.5	22.5	-	Ø1.2	M2x2.5	1.5	7	4.8	4.2	2.3	2.4	15	5	M2x6	0.98	1.24	4.70	2.84	2.84	0.010	0.22	
MGN7H							13	21.8	30.8													1.37	1.96	7.64	4.80	4.80	0.015		
MGN9C	10	2	5.5	20	15	2.5	10	18.9	28.9	-	Ø1.4	M3x3	1.8	9	6.5	6	3.5	3.5	20	7.5	M3x8	1.86	2.55	11.76	7.35	7.35	0.016	0.38	
MGN9H							16	29.9	39.9													2.55	4.02	19.60	18.62	18.62	0.026		
MGN12C	13	3	7.5	27	20	3.5	15	21.7	34.7	-	Ø2	M3x3.5	2.5	12	8	6	4.5	3.5	25	10	M3x8	2.84	3.92	25.48	13.72	13.72	0.034	0.65	
MGN12H							20	32.4	45.4													3.72	5.88	38.22	36.26	36.26	0.054		
MGN15C	16	4	8.5	32	25	3.5	20	26.7	42.1	4.5	M3	M3x4	3	15	10	6	4.5	3.5	40	15	M3x10	4.61	5.59	45.08	21.56	21.56	0.059	1.06	
MGN15H							25	43.4	58.8													6.37	9.11	73.50	57.82	57.82	0.092		

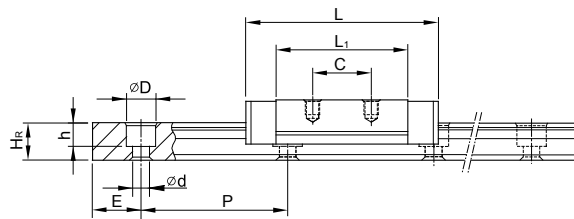
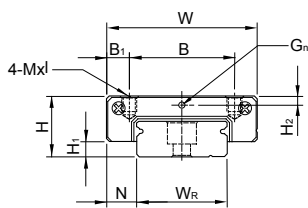
Note : 1 kgf = 9.81 N

# MG Series

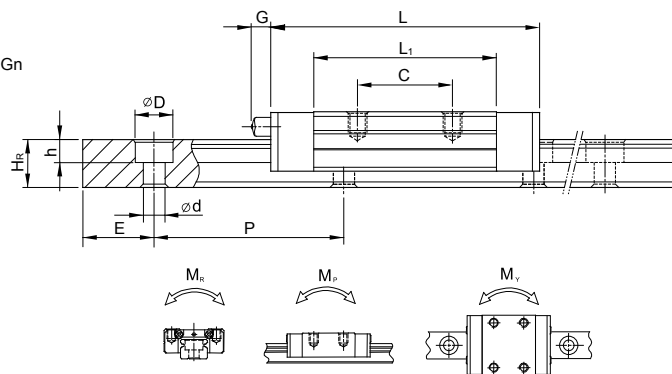
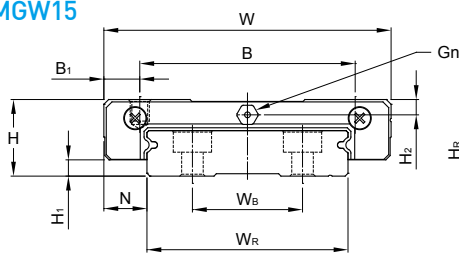
## Miniature

### (2) MGW-C / MGW-H

#### MGW7, MGW9, MGW12



#### MGW15



Model No.	Dimensions of Assembly (mm)			Dimensions of Block (mm)										Dimensions of Rail (mm)						Mounting Bolt for Rail (mm)	Basic Dynamic Load Rating C (kN)	Basic Static Load Rating C <sub>0</sub> (kN)	Static Rated Moment			Weight			
	H	H <sub>1</sub>	N	W	B	B <sub>1</sub>	C	L <sub>1</sub>	L	G	G <sub>n</sub>	Mxl	H <sub>2</sub>	W <sub>R</sub>	W <sub>B</sub>	H <sub>R</sub>	D	h	d				P	E	M <sub>R</sub>	M <sub>P</sub>	M <sub>V</sub>	Block	Rail
	mm	mm	mm	mm	mm	mm	mm	mm	mm	mm	mm	mm	mm	mm	mm	mm	mm	mm	mm				mm	mm	N-m	N-m	N-m	kg	kg/m
MGW7C	9	1.9	5.5	25	19	3	10	21	31.2	-	Ø1.2	M3x3	1.85	14	-	5.2	6	3.2	3.5	30	10	M3x6	1.37	2.06	15.70	7.14	7.14	0.020	0.51
19							30.8	41	23.45																15.53	15.53	0.029		
MGW9C	12	2.9	6	30	21	4.5	12	27.5	39.3	-	Ø1.2	M3x3	2.4	18	-	7	6	4.5	3.5	30	10	M3x8	2.75	4.12	40.12	18.96	18.96	0.040	0.91
23							3.5	24	38.5																50.7	54.54	34.00	34.00	
MGW12C	14	3.4	8	40	28	6	15	31.3	46.1	-	Ø1.2	M3x3.6	2.8	24	-	8.5	8	4.5	4.5	40	15	M4x8	3.92	5.59	70.34	27.80	27.80	0.071	1.49
28							45.6	60.4	102.70																57.37	57.37	0.103		
MGW15C	16	3.4	9	60	45	7.5	20	38	54.8	5.2	M3	M4x4.2	3.2	42	23	9.5	8	4.5	4.5	40	15	M4x10	6.77	9.22	199.34	56.66	56.66	0.143	2.86
35							57	73.8	299.01																122.60	122.60	0.215		

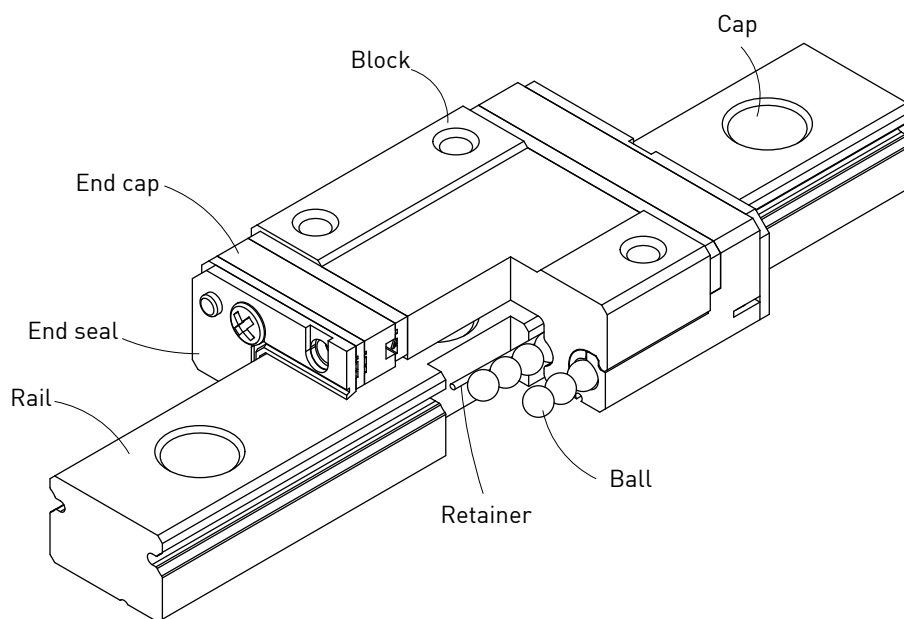
Note : 1 kgf = 9.81 N

## 2-5 PM Series - Miniature Linear Guideway

### 2-5-1 Features of PMN Series

1. Reduce 20% weight of block by using resin in the recirculation unit. The compact size and light weight is suitable for miniturized machinery.
2. Stainless linear guideway. Block, rail and stainless components such as ball retainers provide excellent corrosion resistance.
3. Gothic arch contact design can sustain loads from all directions and offer high rigidity and high accuracy.
4. Interchangeable types are available in certain precision grades.
5. The design of low noise resin recirculation unit which is able to eliminate the collision with the metal block.
6. Integrated design in recirculation system.

### 2-5-2 Construction of PMN Series



- Rolling circulation system: Block, rail, end cap and retainer
- Dust protection system: End seal, bottom seal (optional size 9,12), cap (size12)

### 2-5-3 Application

PMN series is suitable for limited space installations and available for use in various applications, such as semiconductor equipment, PCB assembly equipment, medical equipment, robotics, measuring equipment, office automation equipment, and other miniature sliding machinery.

### 2-5-4 Model Number of PMN Series

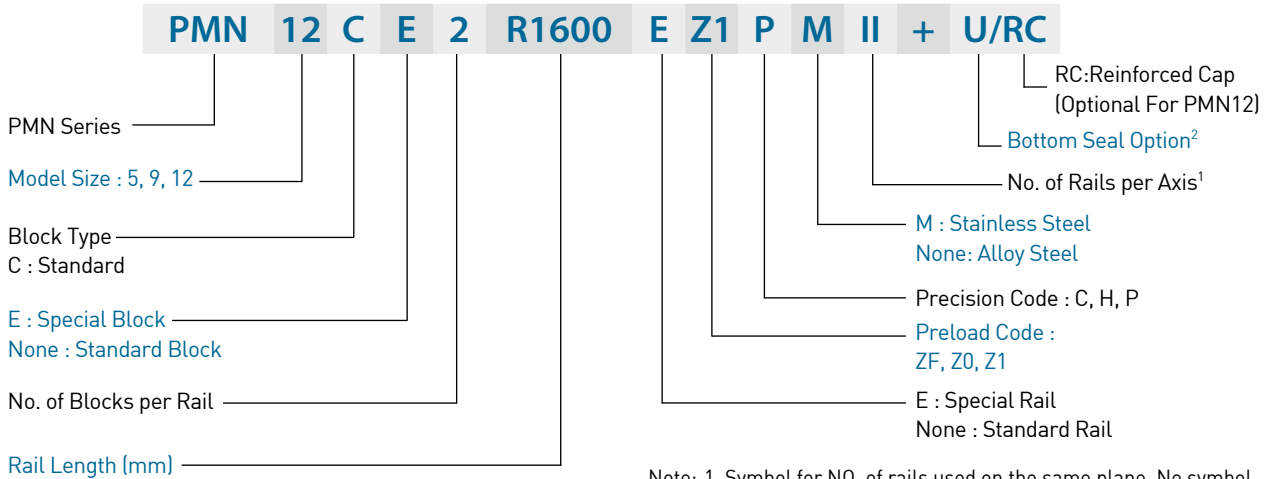
PMN series linear guideway can be classified into non-interchangeable and interchangeable types, which are the same size. The interchangeable type is more convenient due to replaceable rails; however, the precision is less than non-interchangeable type. With strict dimension and quality control, the interchangeable type linear guideways are a suitable choice for customers when rails don't need to be paired. The model number contains information of the size, type, accuracy, preload, and so on.



# PM Series

## Miniature

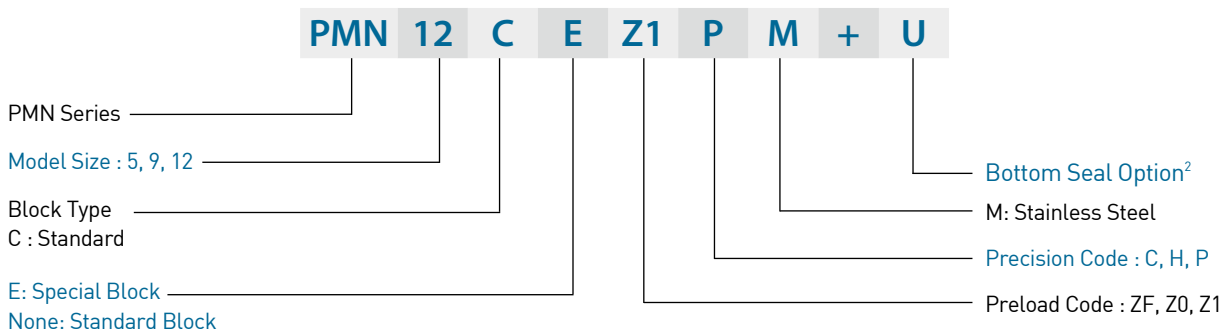
### (1) Non-interchangeable type



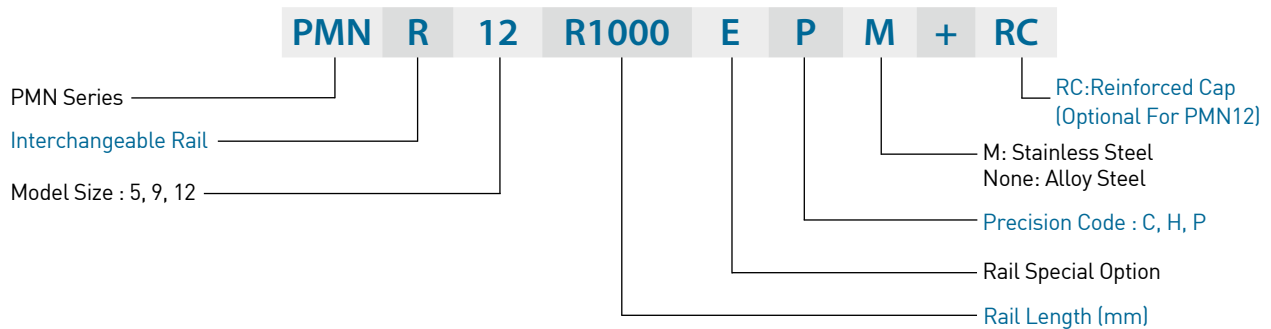
Note: 1. Symbol for NO. of rails used on the same plane. No symbol indicates single rail in an axis.  
2. The bottom seal is available for PMN 9, 12.

### (2) Interchangeable type

#### ○ Interchangeable Block



#### ○ Interchangeable Rail

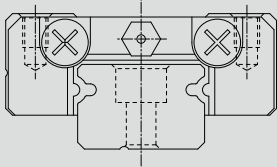
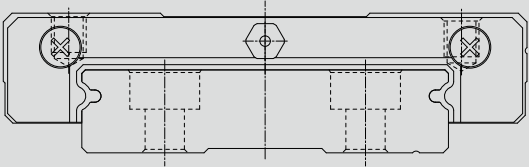


## 2-5-5 Types

### (1) Block types

HIWIN offers two types of linear guideways, flange and square types.

Table 2-5-1 Block Types

Type	Model	Shape	Height (mm)	Rail Length (mm)	Main Applications
Square	PMN-C PMN-H		8	100	<ul style="list-style-type: none"> <li>○ Printer</li> <li>○ Robotics</li> <li>○ Precision measure equipment</li> <li>○ Semiconductor equipment</li> </ul>
			↓	↓	
16	2000				
Flange	PMW-C PMW-H		9	100	
			↓	↓	
16	2000				

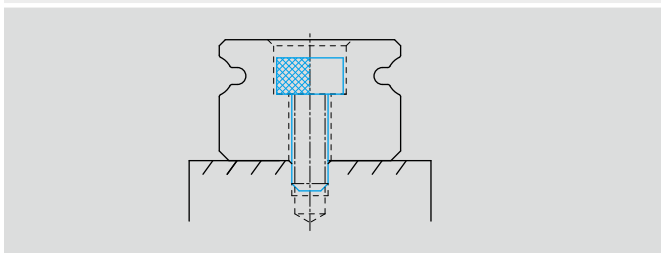
\*Please refer to the chapter 2-5-12 for the dimensional detail.

### (2) Rail types

HIWIN offers standard top mounting type.

Table 2-5-2 Rail Types

#### Mounting from Top

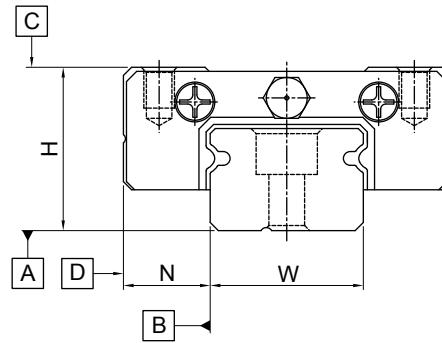


## PM Series

### Miniature

### 2-5-6 Accuracy Classes

The accuracy of PMN series can be classified into three classes: normal (C), high (H), precision (P). Choices for different accuracy classes are available according to various requirements.



#### (1) Accuracy of non-interchangeable guideways

Table 2-5-3 Accuracy Standard of Non-interchangeable Type

Unit: mm

Accuracy Classes	Normal (C)	High (H)	Precision (P)
Dimensional tolerance of height H	± 0.04	± 0.02	± 0.01
Dimensional tolerance of width N	± 0.04	± 0.025	± 0.015
Pair Variation of height H	0.03	0.015	0.007
Pair Variation of width N (Master Rail)	0.03	0.02	0.01
Running parallelism of block surface C to surface A	See Table 2-5-5		
Running parallelism of block surface D to surface B	See Table 2-5-5		

#### (2) Accuracy of interchangeable guideways

Table 2-5-4 Accuracy Standard of Interchangeable Type

Unit: mm

Accuracy Classes	Normal (C)	High (H)	Precision (P)
Dimensional tolerance of height H	± 0.04	± 0.02	± 0.01
Dimensional tolerance of width N	± 0.04	± 0.025	± 0.015
One Set	Pair Variation of height H	0.03	0.015
	Pair Variation of width N	0.03	0.02
Pair Variation of width N (Master Rail)	0.07	0.04	0.02
Running parallelism of block surface C to surface A	See Table 2-5-5		
Running parallelism of block surface D to surface B	See Table 2-5-5		

### (3) Accuracy of running parallelism

The running parallelism C to A and D to B are related to the rail length.

Table 2-5-5 Accuracy of Running Parallelism

Rail Length			Accuracy (μm)			Rail Length			Accuracy (μm)		
(mm)	(C)	(H)	(P)	(mm)	(C)	(H)	(P)				
~ 50	12	6	2	1,000 ~ 1,200	25	18	11				
50 ~ 80	13	7	3	1,200 ~ 1,300	25	18	11				
80 ~ 125	14	8	3.5	1,300 ~ 1,400	26	19	12				
125 ~ 200	15	9	4	1,400 ~ 1,500	27	19	12				
200 ~ 250	16	10	5	1,500 ~ 1,600	28	20	13				
250 ~ 315	17	11	5	1,600 ~ 1,700	29	20	14				
315 ~ 400	18	11	6	1,700 ~ 1,800	30	21	14				
400 ~ 500	19	12	6	1,800 ~ 1,900	30	21	15				
500 ~ 630	20	13	7	1,900 ~ 2,000	31	22	15				
630 ~ 800	22	14	8	2,000 ~	31	22	16				
800 ~ 1,000	23	16	9								

### 2-5-7 Preload

PMN series provides three different preload levels for various applications.

Table 2-5-6 Preload Classes

Class	Code	Preload	Accuracy
Light Clearance	ZF	Clearance 4~10μm	C
Very Light Preload	Z0	0	C~P
Light Preload	Z1	0.02C	C~P

Note: "C" in column preload means basic dynamic load rating.

### 2-5-8 Dust Proof Accessories

End seals and standard accessories fixed on both sides of the block can prevent dust from entering the block, so the accuracy and service life of a linear guideway can be maintained. Bottom seals are fixed under the skirt portion of the block to prevent dust from entering. Customers can order bottom seals by adding the mark "+U" followed by the model number. Sizes 9, 12 provide bottom seals as an option. Note that "H1" would reduced if bottom seals are attached, be aware of possible interference between block and mounting surface.

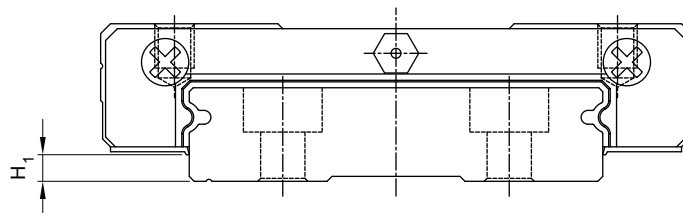


Table 2-5-7

Size	Bottom seal	H <sub>1</sub> mm
PMN9	●	1
PMN12	●	2

## PM Series

### Miniature

#### 2-5-9 Mounting Surface Accuracy Tolerance

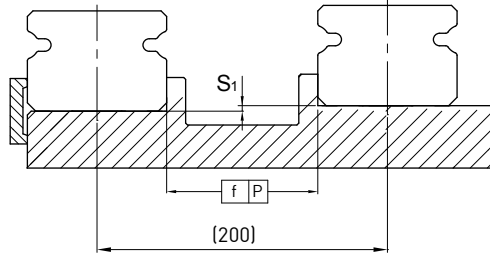


Table 2-5-8 Max. Parallelism Tolerance (P)

unit:  $\mu\text{m}$

Size	Preload classes		
	ZF	Z0	Z1
PM5	2	2	2
PM9	4	4	3
PM12	9	9	5

Table 2-5-9 Max. Tolerance of Reference Surface Height ( $S_1$ )

unit:  $\mu\text{m}$

Size	Preload classes		
	ZF	Z0	Z1
PM5	20	20	2
PM9	35	35	6
PM12	50	50	12

Table 2-5-10 Permissible Error of Mounting Surface

unit: mm

Size	Flatness of the Mounting Surface
PM5	0.015/200
PM9	0.035/200
PM12	0.050/200

Note: The values above are suitable for preload of ZF/Z0. For preload of Z1 or using two(or more) rails on the same plane, 50% or less of the values above are recommended.

## 2-5-10 Cautions for Installation

- Shoulder heights and fillets

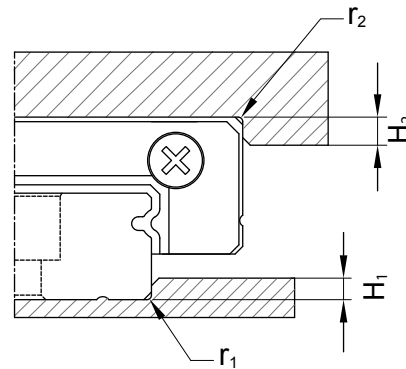


Table 2-5-11 Shoulder Heights and Fillets

Size	Max. radius of fillets $r_1$ (mm)	Max. radius of fillets $r_2$ (mm)	Shoulder height $H_1$ (mm)	Shoulder height $H_2$ (mm)
PMN 5	0.1	0.2	1.2	2
PMN 9	0.2	0.3	1.7	3
PMN 12	0.3	0.4	1.7	4
PMW 5	0.1	0.2	1.2	2

- Tightening torque of bolts for installation

Improper tightening of rail mounting bolts will seriously affect the accuracy of the linear guideway. The following table lists the recommended tightening torque for the specific sizes of bolts.

Table 2-5-12 Tightening Torque

Size	Bolt size	Torque, N-cm (kgf-cm)		
		Iron	Casting	Aluminum
PMN 5	M2×0.4P×6L	57(5.9)	39.2(4)	29.4(3)
PMN 9	M3×0.5P×8L	186 (19)	127 (13)	98 (10)
PMN 12	M3×0.5P×8L	186 (19)	127 (13)	98 (10)
PMW 5	M2.5×0.45P×7L	118(12)	78.4(8)	58.8(6)

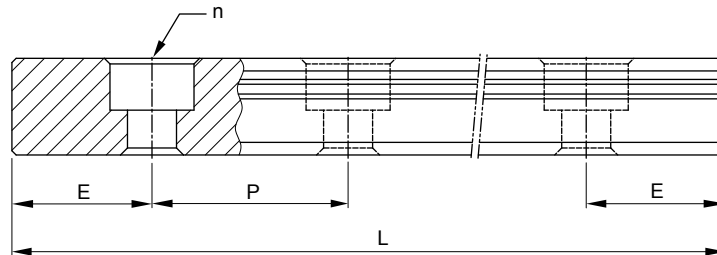
Note : 1 kgf = 9.81 N

## PM Series

### Miniature

#### 2-5-11 Standard and Maximum Lengths of Rail

Hiwin offers standard lengths of rail for instant requirements. For non-standard rail lengths, it's recommended that the E value is no greater than 1/2 of the pitch(P) to prevent instability at the end of the rail, and the E value should be no less than Emin to avoid a broken mounting hole.



$$L = (n - 1) \times P + 2 \times E \quad \text{Eq.2.4}$$

L : Total length of rail (mm)

n : Number of mounting holes

P : Distance between any two holes (mm)

E : Distance from the center of the last hole to the edge (mm)

Table 2-5-13

unit: mm

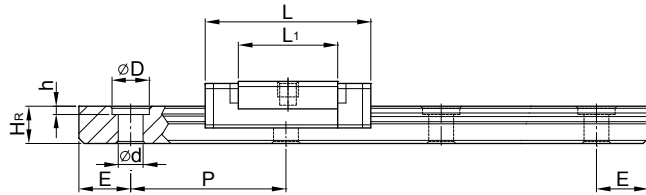
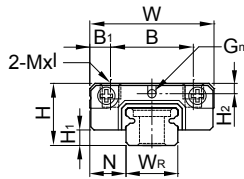
Item	PMNR	PMNR	PMNR	PMWR
	5M	9M	12M	5M
Standard Length L (n)	40 (3)	55 (3)	70 (3)	50 (3)
	55 (4)	75 (4)	95 (4)	70 (4)
	70 (5)	95 (5)	120 (5)	90 (5)
	100 (7)	115 (6)	145 (6)	110 (6)
	130 (9)	135 (7)	170 (7)	130 (7)
	160 (11)	155 (8)	195 (8)	150 (8)
		175 (9)	220 (9)	170 (9)
		195 (10)	245 (10)	
		275 (14)	270 (11)	
		375 (19)	320 (13)	
			370 (15)	
			470 (19)	
			570 (23)	
			695 (28)	
Pitch (P)	15	20	25	20
Distance to End (E <sub>s</sub> )	5	7.5	10	5
Max. Standard Length	250 (17)	1195 (60)	1995 (80)	250 (13)
Max. Length	250	1200	2000	250

- Note:
1. Tolerance of E value for standard rail is 0.5~-0.5 mm. Tolerance of E value for jointed rail is 0~-0.3 mm.
  2. Maximum standard length indicates the max. rail length with standard E value on both sides.
  3. The specification with "M" mark stands for stainless steel.
  4. If smaller E value is needed, please contact HIWIN.

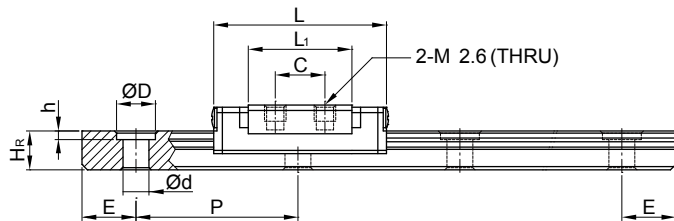
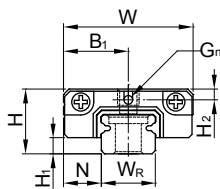
## 2-5-12 Dimensions for PMN Series

### (1)PMN-C/PMN-H

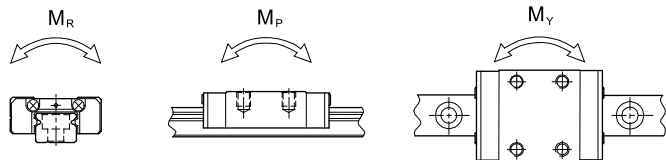
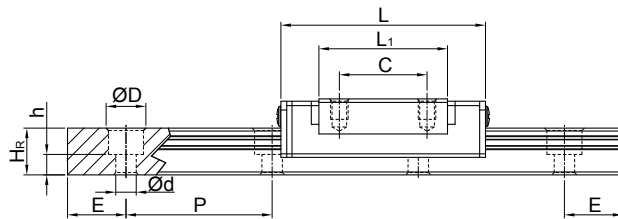
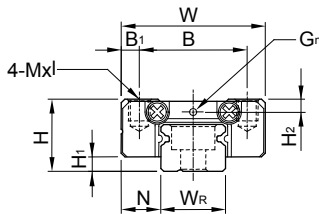
#### PMN5C, PMN5H



#### PMN5HL



#### PMN9, PMN12



Model No.	Dimensions of Assembly (mm)			Dimensions of Block (mm)										Dimensions of Rail (mm)					Mounting Bolt for Rail (mm)	Basic Dynamic Load Rating C (kN)	Basic Static Load Rating C <sub>0</sub> (kN)	Static Rated Moment			Weight				
	H	H <sub>1</sub>	N	W	B	B <sub>1</sub>	C	L <sub>1</sub>	L	G	G <sub>n</sub>	Mxl	H <sub>2</sub>	W <sub>R</sub>	H <sub>R</sub>	D	h	d				P	E	M <sub>R</sub>	M <sub>P</sub>	M <sub>Y</sub>	Block	Rail	
	N-m	N-m	N-m	kg	kg/m																								
PMN 5C					8	2	-	9.6	16			M2x1.5											0.54	0.84	2	1.3	1.3	0.008	
PMN 5H	6	1.5	3.5	12	8	2	-	12.6	19	-	0.8	M2x1.5	1	5	3.6	3.6	0.8	2.4	15	5	M2x6	0.67	1.08	2.6	2.3	2.3	0.01	0.15	
PMN 5HL					-	6	7	12.6	19			M2.6-THRU										0.67	1.08	2.6	2.3	2.3	0.01		
PMN9C	10	2.2	5.5	20	15	2.5	10	19.4	30	-	Ø1.4	M3x3	1.8	9	6.5	6	3.5	3.5	20	7.5	M3x8	2.01	2.84	13.05	8.97	8.97	0.012	0.38	
PMN12C	13	3	7.5	27	20	3.5	15	22	35	-	Ø2	M3x3.5	2.5	12	8	6	4.5	3.5	25	10	M3x8	2.84	3.92	25.48	13.72	13.72	0.025	0.65	

Note : 1 kgf = 9.81 N

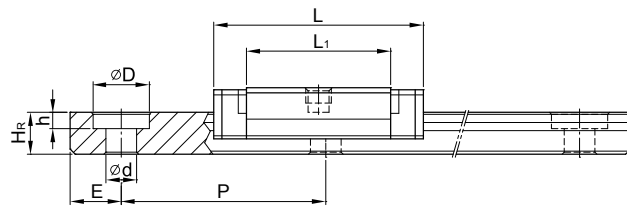
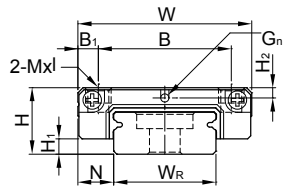


# PM Series

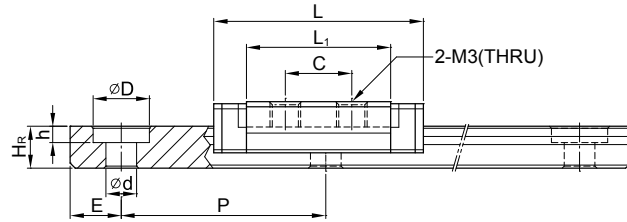
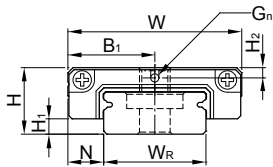
## Miniature

### (2)PMW-C

#### PMW5C



#### PMW5CL



Model No.	Dimensions of Assembly (mm)			Dimensions of Block (mm)										Dimensions of Rail (mm)						Mounting Bolt for Rail (mm)	Basic Dynamic Load Rating C(kN)	Basic Static Load Rating C <sub>0</sub> (kN)	Static Rated Moment			Weight		
	H	H <sub>1</sub>	N	W	B	B <sub>1</sub>	C	L <sub>1</sub>	L	G	G <sub>n</sub>	Mxl	H <sub>2</sub>	W <sub>R</sub>	H <sub>R</sub>	D	h	d	P				E	M <sub>R</sub>	M <sub>p</sub>	M <sub>v</sub>	Block	Rail
	N-m	N-m	N-m	kg	kg/m																							
PMW5C	6.5	1.5	3.5	17	13	2	-	14.1	20.5	-	∅0.8	M2.5x1.5	1	10	4	5.5	1.6	3	20	5	M2.5X7	0.68	1.18	5.5	2.7	2.7	0.016	0.34
PMW5CL					-	8.5	6.5					M3-THRU																

Note : 1 kgf = 9.81 N

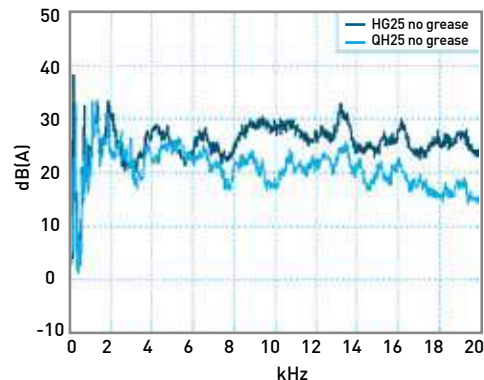
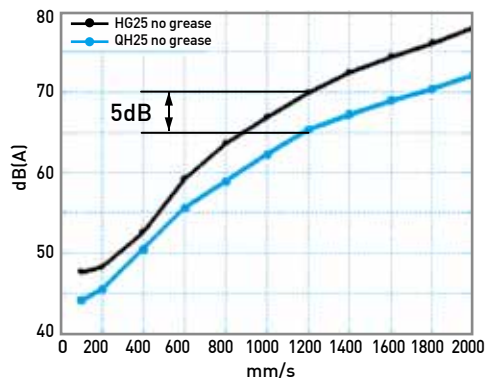
## 2-6 QH Series – Quiet Linear Guideway, with SynchMotion™ Technology

The development of HIWIN-QH linear guideway is based on a four-row circular-arc contact. The HIWIN-QH series linear guideway with SynchMotion™ Technology offers smooth movement, superior lubrication, quieter operation and longer running life. Therefore the HIWIN-QH linear guideway has broad industrial applicability. In the high-tech industry where high speed, low noise, and reduced dust generation is required, the HIWIN-QH series is interchangeable with the HIWIN-HG series.

### 2-6-1 Features

#### (1) Low Noise Design

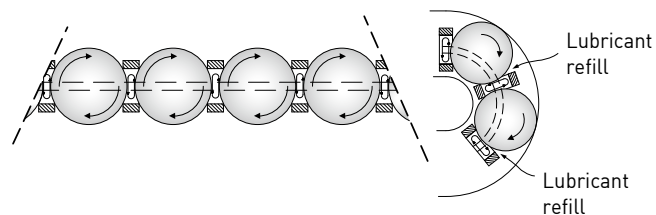
With SynchMotion™ technology, rolling elements are interposed between the partitions of SynchMotion™ to provide improved circulation. Due to the elimination of contact between the rolling elements, collision noise and sound levels are drastically reduced.



#### (2) Self-Lubricant Design

The partition is a grouping of hollow ring-like structures formed with a through hole to facilitate circulation of the lubricant. Because of the special lubrication path design, the lubricant of the partition storage space can be refilled. Therefore, the frequency of lubricant refilling can be decreased.


The QH-series linear guideway is pre-lubricated. Performance testing at a 0.2C (basic dynamic load) shows that after running 4,000km no damage was apparent to either the rolling elements or the raceway.



## QH Series

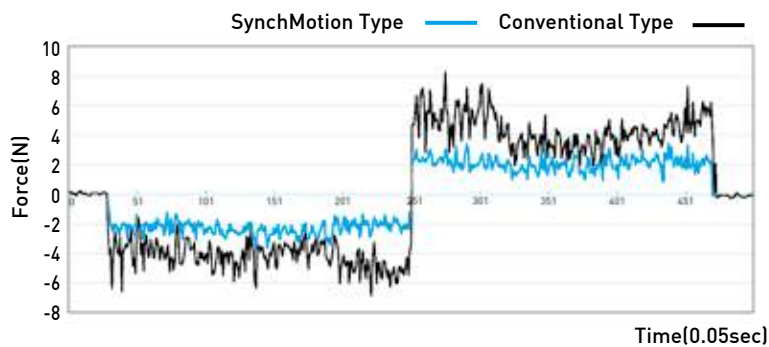
### Heavy Load Type

Table 2-6-1 Load Test

Test Sample	QHH25CAZAH	Load Test
Speed	24m/min	 <p>Load=5kN After 4,000km</p>
Lubricant	lithium soap base grease (initial lubrication only)	
Load	5kN	
Distance travel	4,000km	

### (3) Smooth Movement

In standard linear guideways, rolling elements on the load side of the guide block begin rolling and push their way through the raceway. When they contact other rolling elements they create counter-rotational friction. This results in a great variation of rolling resistance. The QH linear guideway, with SynchMotion™ technology prevents this condition. As the block starts to move, the rolling elements begin rolling consecutively and remain separated to prevent contact with one another thus keeping the element's kinetic energy extremely stable in order to effectively reduce fluctuations in rolling resistance.



### (4) High Speed Performance

The Hiwin-QH series offers excellent high-speed performance due to the partitions of the SynchMotion™ structure. They are employed to separate the adjacent balls thereby resulting in low rolling traction and the metallic friction between adjacent balls is eliminated.

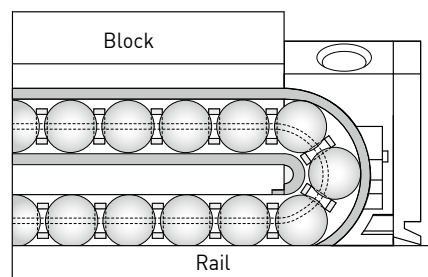
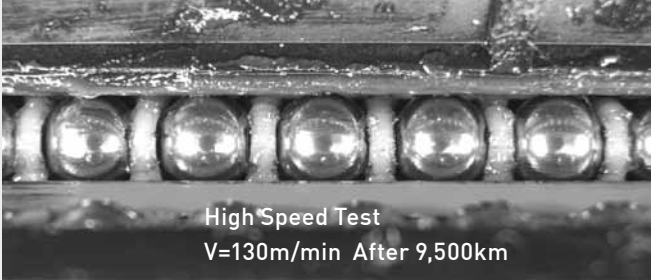
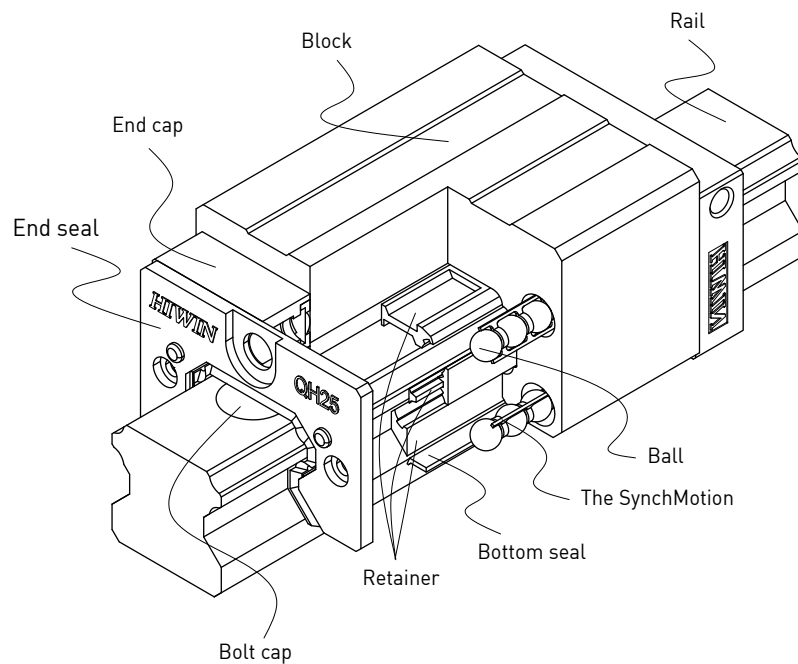


Table 2-6-2

Test Sample QHW25CAZAH		High Speed Test
Speed	130m/min	
Lubricant	lithium soap base grease (initial lubrication only)	
Distance travel	9,500km	

## 2-6-2 Construction



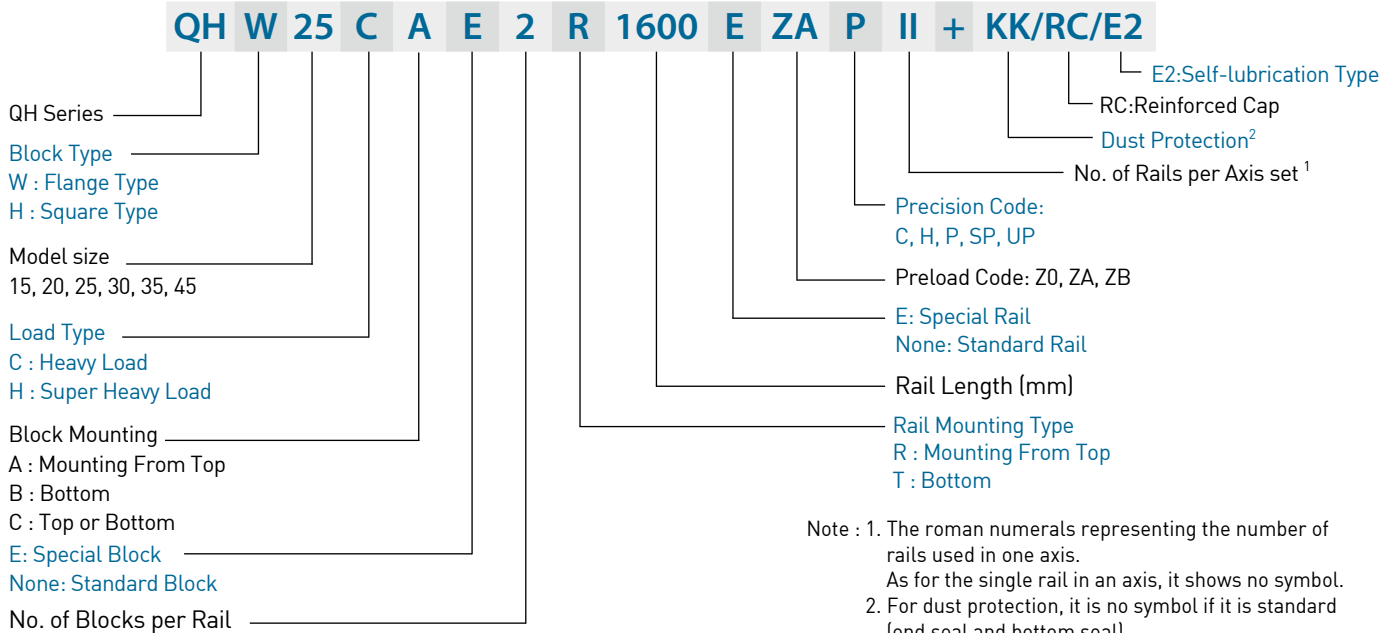
## 2-6-3 Model Number of QH Series

HIWIN-QH series guideway can be classified into non-interchangeable and interchangeable types. The sizes are identical. The main difference is that the interchangeable blocks and rails can be freely exchanged. Because of dimensional control, the interchangeable type linear guideway is a perfect choice for the client when rails do not need to be paired for an axis. And since the QH and HG share the identical rails, the customer does not need to redesign when choosing the QH series. Therefore the HIWIN-QH linear guideway has increased applicability.

# QH Series

## Heavy Load Type

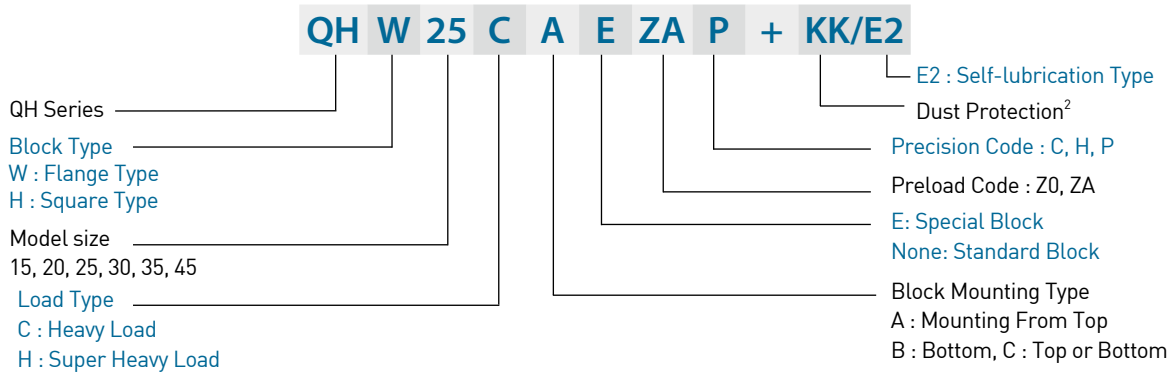
### (1) Non-interchangeable type



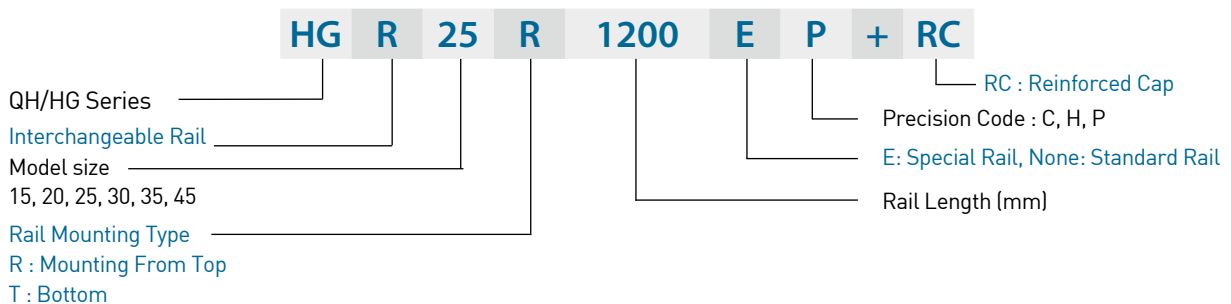
Note : 1. The roman numerals representing the number of rails used in one axis.  
As for the single rail in an axis, it shows no symbol.  
2. For dust protection, it is no symbol if it is standard (end seal and bottom seal).  
ZZ : End seal, bottom seal and scraper.  
KK : Double seals, bottom seal and scraper.  
DD : Double seals and bottom seal.

### (2) Interchangeable type

#### ○ Model Number of QH Block



#### ○ Model Number of QH Rail (QH and HG share the identical rails)

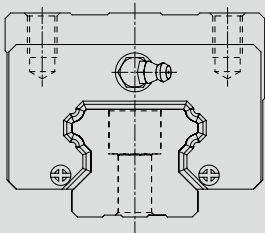
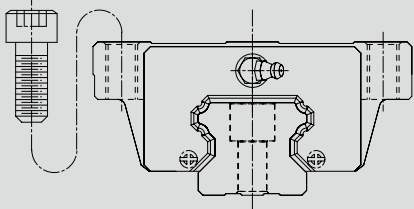
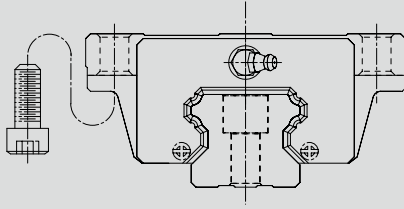
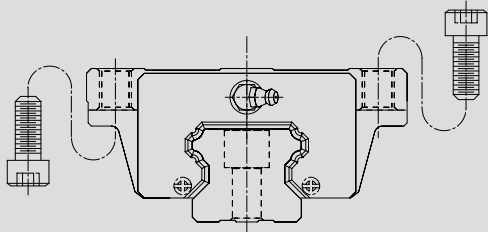


## 2-6-4 Types

### (1) Block types

HIWIN offers two types of linear guideways, flange and square types.

Table 2-6-3 Block Types

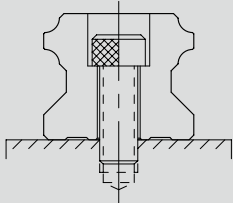
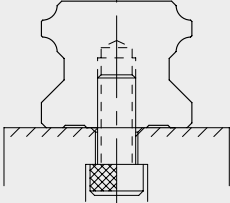
Type	Model	Shape	Height (mm)	Rail Length (mm)	Main Applications
Square	QHH-CA QHH-HA		28	100	<ul style="list-style-type: none"> <li>○ Automation devices</li> <li>○ High-speed transportation equipment</li> <li>○ Precision measuring equipment</li> <li>○ Semiconductor manufacturing equipment</li> </ul>
			↓	↓	
Flange	QHW-CA QHW-HA		24	100	
			↓	↓	
	QHW-CB QHW-HB		24	100	
			↓	↓	
	QHW-CC QHW-HC		60	4000	
			↓	↓	

\*Please refer to the chapter 2-6-11 for the dimensional detail.

### (2) Rail types

Besides the standard top mounting type, the bottom mounting type is also available.

Table 2-6-4 Rail Types

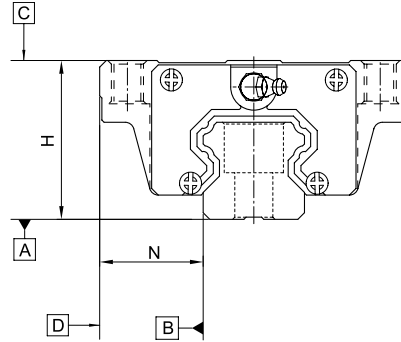
Mounting from Top	Mounting from bottom
	

## QH Series

### Heavy Load Type

#### 2-6-5 Accuracy Classes

The accuracy of QH series can be classified into normal (C), high (H), precision (P), super precision (SP), ultra precision (UP), five classes. Please choose the class by referring the accuracy of applied equipment.



#### (1) Accuracy of non-interchangeable

Table 2-6-5 Accuracy Standards

Unit: mm

Item	QH - 15, 20				
	Normal (C)	High (H)	Precision (P)	Super Precision (SP)	Ultra Precision (UP)
Dimensional tolerance of height H	± 0.1	± 0.03	0 - 0.03	0 - 0.015	0 - 0.008
Dimensional tolerance of width N	± 0.1	± 0.03	0 - 0.03	0 - 0.015	0 - 0.008
Variation of height H	0.02	0.01	0.006	0.004	0.003
Variation of width N	0.02	0.01	0.006	0.004	0.003
Running parallelism of block surface C to surface A	See Table 2-6-11				
Running parallelism of block surface D to surface B	See Table 2-6-11				

Table 2-6-6 Accuracy Standards

Unit: mm

Item	QH - 25, 30, 35				
	Normal (C)	High (H)	Precision (P)	Super Precision (SP)	Ultra Precision (UP)
Dimensional tolerance of height H	± 0.1	± 0.04	0 - 0.04	0 - 0.02	0 - 0.01
Dimensional tolerance of width N	± 0.1	± 0.04	0 - 0.04	0 - 0.02	0 - 0.01
Variation of height H	0.02	0.015	0.007	0.005	0.003
Variation of width N	0.03	0.015	0.007	0.005	0.003
Running parallelism of block surface C to surface A	See Table 2-6-11				
Running parallelism of block surface D to surface B	See Table 2-6-11				

Table 2-6-7 Accuracy Standards

Unit: mm

Item	QH - 45				
	Normal (C)	High (H)	Precision (P)	Super Precision (SP)	Ultra Precision (UP)
Dimensional tolerance of height H	± 0.1	± 0.05	0 - 0.05	0 - 0.03	0 - 0.02
Dimensional tolerance of width N	± 0.1	± 0.05	0 - 0.05	0 - 0.03	0 - 0.02
Variation of height H	0.03	0.015	0.007	0.005	0.003
Variation of width N	0.03	0.02	0.01	0.007	0.005
Running parallelism of block surface C to surface A	See Table 2-6-11				
Running parallelism of block surface D to surface B	See Table 2-6-11				

(2) Accuracy of interchangeable

Table 2-6-8 Accuracy Standards

Unit: mm

Item	QH - 15, 20		
Accuracy Classes	Normal (C)	High (H)	Precision (P)
Dimensional tolerance of height H	± 0.1	± 0.03	± 0.015
Dimensional tolerance of width N	± 0.1	± 0.03	± 0.015
Variation of height H	0.02	0.01	0.006
Variation of width N	0.02	0.01	0.006
Running parallelism of block surface C to surface A	See Table 2-6-11		
Running parallelism of block surface D to surface B	See Table 2-6-11		

Table 2-6-9 Accuracy Standards

Unit: mm

Item	QH - 25, 30, 35		
Accuracy Classes	Normal (C)	High (H)	Precision (P)
Dimensional tolerance of height H	± 0.1	± 0.04	± 0.02
Dimensional tolerance of width N	± 0.1	± 0.04	± 0.02
Variation of height H	0.02	0.015	0.007
Variation of width N	0.03	0.015	0.007
Running parallelism of block surface C to surface A	See Table 2-6-11		
Running parallelism of block surface D to surface B	See Table 2-6-11		

Table 2-6-10 Accuracy Standards

Unit: mm

Item	QH - 45		
Accuracy Classes	Normal (C)	High (H)	Precision (P)
Dimensional tolerance of height H	± 0.1	± 0.05	± 0.025
Dimensional tolerance of width N	± 0.1	± 0.05	± 0.025
Variation of height H	0.03	0.015	0.007
Variation of width N	0.03	0.02	0.01
Running parallelism of block surface C to surface A	See Table 2-6-11		
Running parallelism of block surface D to surface B	See Table 2-6-11		



## QH Series

### Heavy Load Type

#### (3) Accuracy of running parallelism

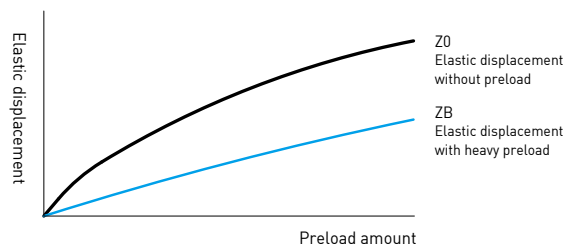
Table 2-6-11 Accuracy of Running Parallelism

Rail Length (mm)	Accuracy (μm)				
	C	H	P	SP	UP
~ 100	12	7	3	2	2
100 ~ 200	14	9	4	2	2
200 ~ 300	15	10	5	3	2
300 ~ 500	17	12	6	3	2
500 ~ 700	20	13	7	4	2
700 ~ 900	22	15	8	5	3
900 ~ 1,100	24	16	9	6	3
1,100 ~ 1,500	26	18	11	7	4
1,500 ~ 1,900	28	20	13	8	4
1,900 ~ 2,500	31	22	15	10	5
2,500 ~ 3,100	33	25	18	11	6
3,100 ~ 3,600	36	27	20	14	7
3,600 ~ 4,000	37	28	21	15	7

#### 2-6-6 Preload

##### (1) Definition

A preload can be applied to each guideway. Oversized balls are used. Generally, a linear motion guideway has a negative clearance between groove and balls in order to improve stiffness and maintain high precision. The figure shows the load is multiplied by the preload, the rigidity is doubled and the deflection is reduced by one half. The preload no larger than ZA would be recommended for the model size under QH20 to avoid an over-preload affecting the guideway's life.



##### (2) Preload classes

HIWIN offers three classes of standard preload for various applications and conditions.

Table 2-6-12 Preload Classes

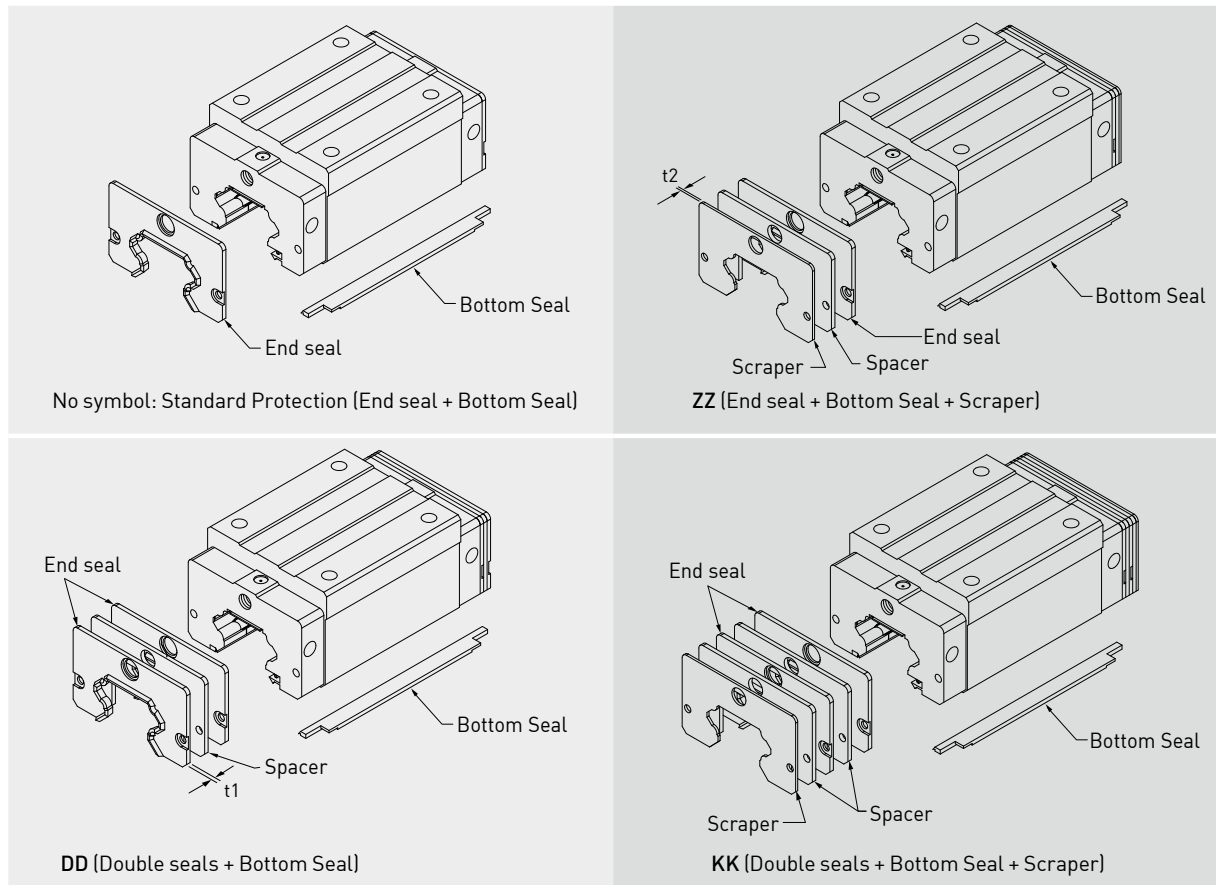
Class	Code	Preload	Condition	Examples of Application
Light Preload	Z0	0~ 0.02C	Certain load direction, low impact, low precision required	Transportation devices, auto-packing machines, X-Y axis for general industrial machines, welding machines, welders
Medium Preload	ZA	0.05C~0.07C	High precision required	Machining centers, Z axis for general industrial machines, EDM, NC lathes, Precision X-Y tables, measuring equipment
Heavy Preload	ZB	0.10C~ 0.12C	High rigidity required, with vibration and impact	Machining centers, grinding machines, NC lathes, horizontal and vertical milling machines, Z axis of machine tools, Heavy cutting machines
<b>Class</b>	<b>Interchangeable Guideway</b>		<b>Non-Interchangeable Guideway</b>	
Preload classes	Z0, ZA		Z0, ZA, ZB	

Note: The "C" in the preload column denotes basic dynamic load rating.

## 2-6-7 Dust Proof Accessories

### (1) Codes of accessories

If the following accessories are needed, please add the code followed by the model number.



### (2) End seal and bottom seal

To prevent life reduction caused by iron chips or dust entering the block.

### (3) Double seals

Enhances the wiping effect, foreign matter can be completely wiped off.

Table 2-6-13 Dimensions of end seal

Size	Thickness (t1) (mm)	Size	Thickness (t1) (mm)
QH15 ES	3	QH30 ES	3.2
QH20 ES	2.5	QH35 ES	2.5
QH25 ES	2.5	QH45 ES	3.6

### (4) Scraper

The scraper removes high-temperature iron chips and larger foreign objects.

Table 2-6-14 Dimensions of scraper

Size	Thickness (t2) (mm)	Size	Thickness (t2) (mm)
QH15 SC	1.5	QH30 SC	1.5
QH20 SC	1.5	QH35 SC	1.5
QH25 SC	1.5	QH45 SC	1.5

## QH Series

### Heavy Load Type

#### (5) Dimensions of block equipped with the dustproof parts

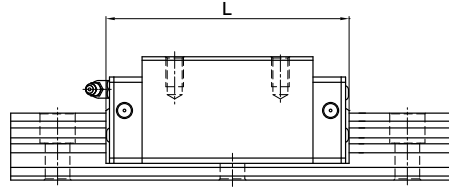


Table 2-6-15 Overall block length

unit: mm

Size	Overall block length (L)			
	Standard	ZZ	DD	KK
QH15C	61.4	68.4	68	75
QH20C	76.7	81.9	81.7	86.9
QH20H	91.4	96.6	96.4	101.6
QH25C	83.4	89.4	88.4	94.4
QH25H	104	110	109	115
QH30C	97.4	104.8	104.8	112.2
QH30H	120.4	127.8	127.8	135.2
QH35C	113.6	119	118.6	124
QH35H	139.4	144.8	144.4	149.8
QH45C	139.4	147.2	146.6	154.4
QH45H	171.2	179	178.4	186.2

## 2-6-8 Friction

The maximum value of seal resistance per block are shown in the table.

Table 2-6-16 Seal Resistance

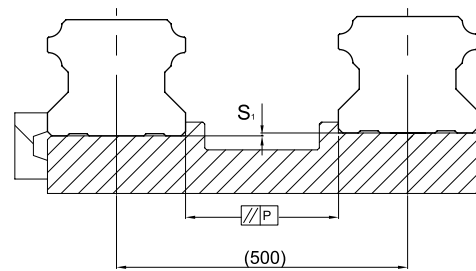
Size	Resistance N (kgf)
QH15	1.2 (0.12)
QH20	1.6 (0.16)
QH25	2.0 (0.2)
QH30	2.7 (0.27)
QH35	3.1 (0.31)
QH45	5.3 (0.53)

## 2-6-9 The Accuracy Tolerance of Mounting Surface

### (1) The accuracy tolerance of rail-mounting surface

Because of the Circular-arc contact design, the QH linear guideway can compensate for some surface-error on installation and still maintain smooth linear motion.

As long as the accuracy requirements for the mounting surface are followed, high accuracy and rigidity of linear motion of the guideway can be obtained without any difficulty. In order to satisfy the needs of fast installation and smooth movement, HIWIN offers the normal clearance type of preload to customers of its high absorption ability of the deviation in mounting surface accuracy.



### (2) The parallelism tolerance of reference surface

Table 2-6-17 Max. Parallelism Tolerance (P)

unit:  $\mu\text{m}$

Size	Preload classes		
	Z0	ZA	ZB
QH15	25	18	-
QH20	25	20	18
QH25	30	22	20
QH30	40	30	27
QH35	50	35	30
QH45	60	40	35

### (3) The accuracy tolerance of reference surface height

Table 2-6-18 Max. Tolerance of Reference Surface Height ( $S_1$ )

unit:  $\mu\text{m}$

Size	Preload classes		
	Z0	ZA	ZB
QH15	130	85	-
QH20	130	85	50
QH25	130	85	70
QH30	170	110	90
QH35	210	150	120
QH45	250	170	140

## QH Series

### Heavy Load Type

#### 2-6-10 Cautions for Installation

##### (1) Shoulder heights and fillets

Improper shoulder heights and fillets of mounting surfaces will cause a deviation in accuracy and the interference with the chamfered part of the rail or block. As long as the recommended shoulder heights and fillets are followed, installation inaccuracies should be eliminated.

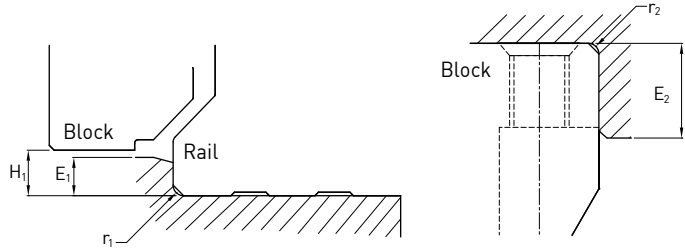


Table 2-6-19 Shoulder Heights and Fillets

Size	Max. radius of fillets $r_1$ (mm)	Max. radius of fillets $r_2$ (mm)	Shoulder height of the rail $E_1$ (mm)	Shoulder height of the block $E_2$ (mm)	Clearance under block $H_1$ (mm)
QH15	0.5	0.5	3.0	4.0	4.0
QH20	0.5	0.5	3.5	5.0	4.6
QH25	1.0	1.0	5.0	5.0	5.5
QH30	1.0	1.0	5.0	5.0	6.0
QH35	1.0	1.0	6.0	6.0	7.5
QH45	1.0	1.0	8.0	8.0	9.5

##### (2) Tightening Torque of Bolts for Installation

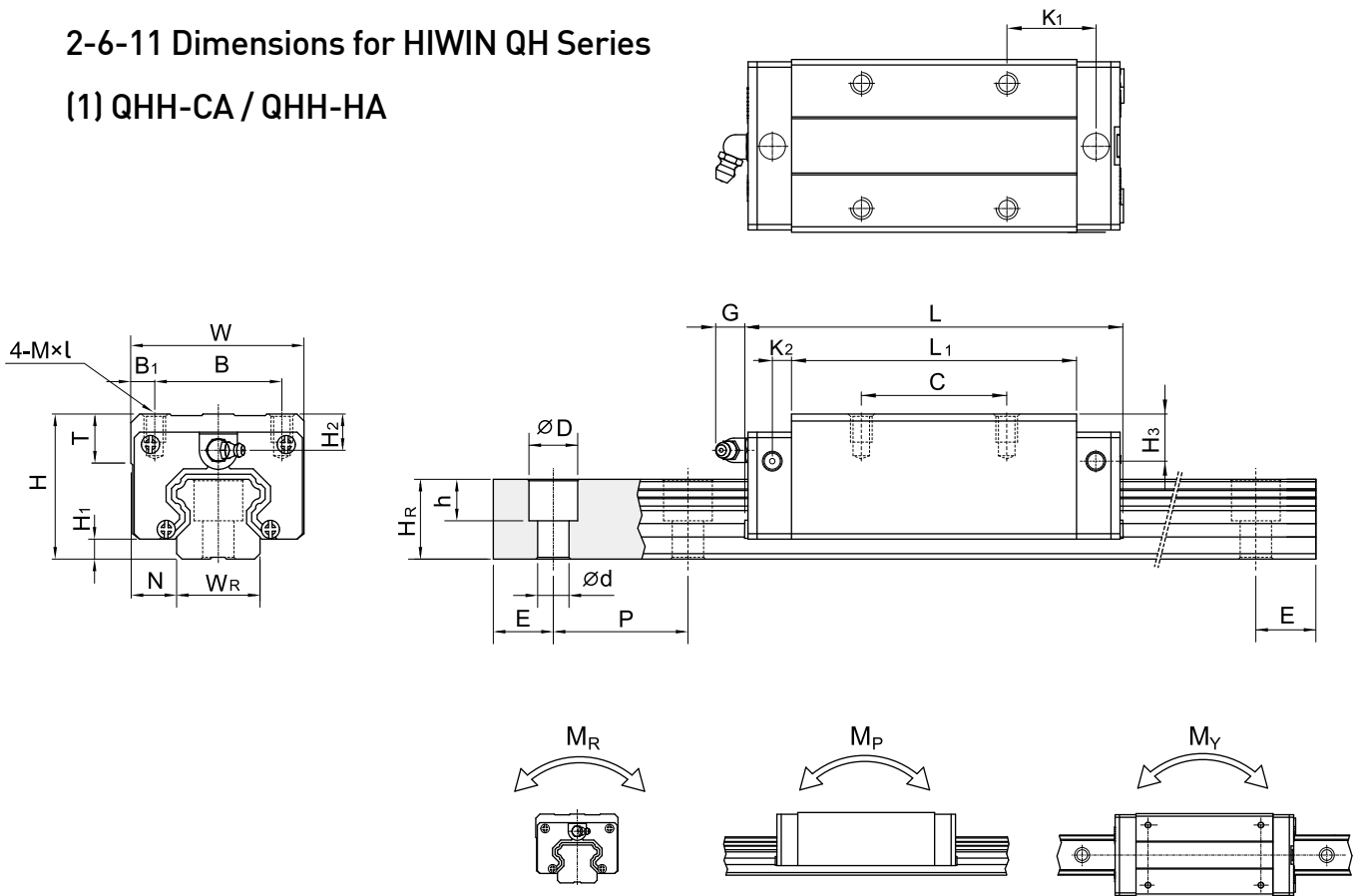
Improper tightening of bolts will seriously influence the accuracy of Linear Guideway installation. The following tightening torques for different sizes of bolts are recommended.

Table 2-6-20 Mounting Torque

Size	Bolt size	Torque N-cm(kgf-cm)		
		Iron	Casting	Aluminum
QH15	M4×0.7P×16L	392 (40)	274 (28)	206 (21)
QH20	M5×0.8P×16L	883 (90)	588 (60)	441 (45)
QH25	M6×1P×20L	1373 (140)	921 (94)	686 (70)
QH30	M8×1.25P×25L	3041 (310)	2010 (205)	1470 (150)
QH35	M8×1.25P×25L	3041 (310)	2010 (205)	1470 (150)
QH45	M12×1.75P×35L	11772 (1200)	7840 (800)	5880 (600)

2-6-11 Dimensions for HIWIN QH Series

(1) QHH-CA / QHH-HA



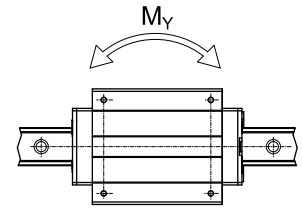
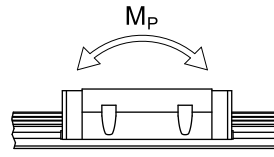
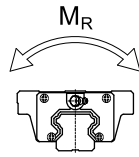
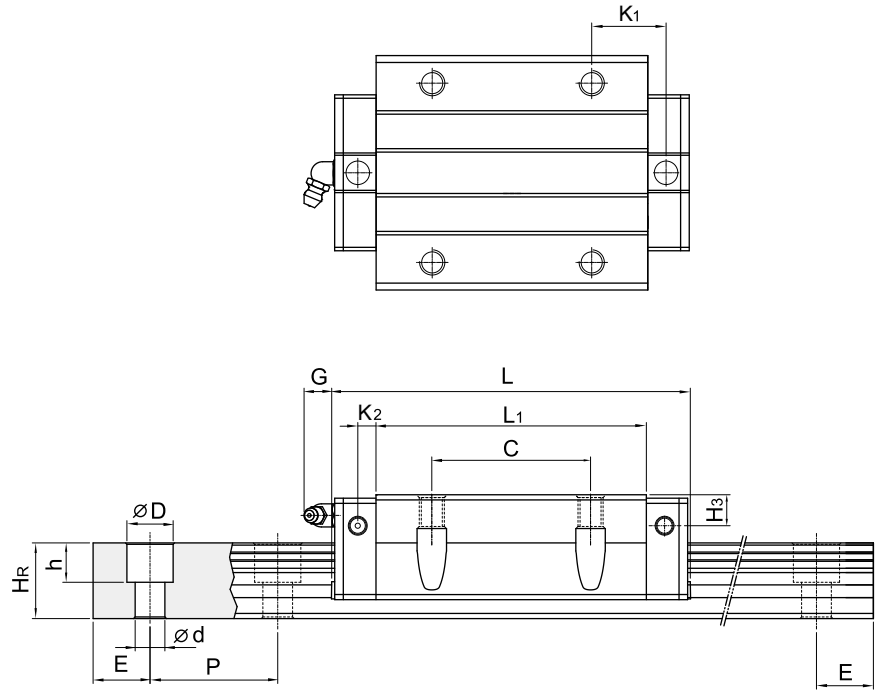
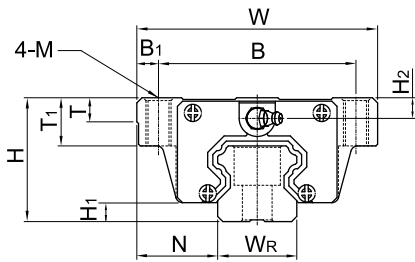
Model No.	Dimensions of Assembly (mm)		Dimensions of Block (mm)													Dimensions of Rail (mm)					Mounting Bolt for Rail (mm)	Basic Dynamic Load Rating C(kN)	Basic Static Load Rating C <sub>0</sub> (kN)	Static Rated Moment			Weight				
	H	H <sub>1</sub>	N	W	B	B <sub>1</sub>	C	L <sub>1</sub>	L	K <sub>1</sub>	K <sub>2</sub>	G	Mxl	T	H <sub>2</sub>	H <sub>3</sub>	W <sub>R</sub>	H <sub>R</sub>	D	h				d	P	E	M <sub>R</sub>	M <sub>P</sub>	M <sub>Y</sub>	Block	Rail
	kg	mm	mm	mm	mm	mm	mm	mm	mm	mm	mm	mm	mm	mm	mm	mm	mm	mm	mm	mm				mm	mm	mm	mm	kN-m	kN-m	kN-m	kg
QHH15CA	28	4	9.5	34	26	4	26	39.4	61.4	10	5	5.3	M4 x 5	6	7.95	8.2	15	15	7.5	5.3	4.5	60	20	M4x16	13.88	14.36	0.10	0.08	0.08	0.18	1.45
QHH20CA	30	4.6	12	44	32	6	36	50.5	76.7	11.75	6	12	M5 x 6	8	6	6	20	17.5	9.5	8.5	6	60	20	M5x16	23.08	25.63	0.26	0.19	0.19	0.29	2.21
QHH20HA							50	65.2	91.4	12.1															27.53	31.67	0.31	0.27	0.27	0.38	
QHH25CA	40	5.5	12.5	48	35	6.5	35	58	83.4	15.7	6	12	M6 x 8	8	10	9	23	22	11	9	7	60	20	M6x20	31.78	33.68	0.39	0.31	0.31	0.50	3.21
QHH25HA							50	78.6	104	18.5															39.30	43.62	0.50	0.45	0.45	0.68	
QHH30CA	45	6	16	60	40	10	40	70	97.4	19.5	6.25	12	M8x10	8.5	9.5	9	28	26	14	12	9	80	20	M8x25	46.49	48.17	0.60	0.5	0.50	0.87	4.47
QHH30HA							60	93	120.4	21.75															56.72	65.09	0.83	0.89	0.89	1.15	
QHH35CA	55	7.5	18	70	50	10	50	80	113.6	19	7.5	12	M8x12	10.2	15.5	13.5	34	29	14	12	9	80	20	M8x25	60.52	63.84	1.07	0.76	0.76	1.44	6.30
QHH35HA							72	105.8	139.4	20.9															73.59	86.24	1.45	1.33	1.33	1.90	
QHH45CA	70	9.2	20.5	86	60	13	60	97	139.4	23	10	12.9	M10x17	16	18.5	20	45	38	20	17	14	105	22.5	M12x35	89.21	94.81	1.83	1.38	1.38	2.72	10.41
QHH45HA							80	128.8	171.2	29.09															108.72	128.43	2.47	2.41	2.41	3.59	

Note : 1 kgf = 9.81 N

# QH Series

## Heavy Load Type

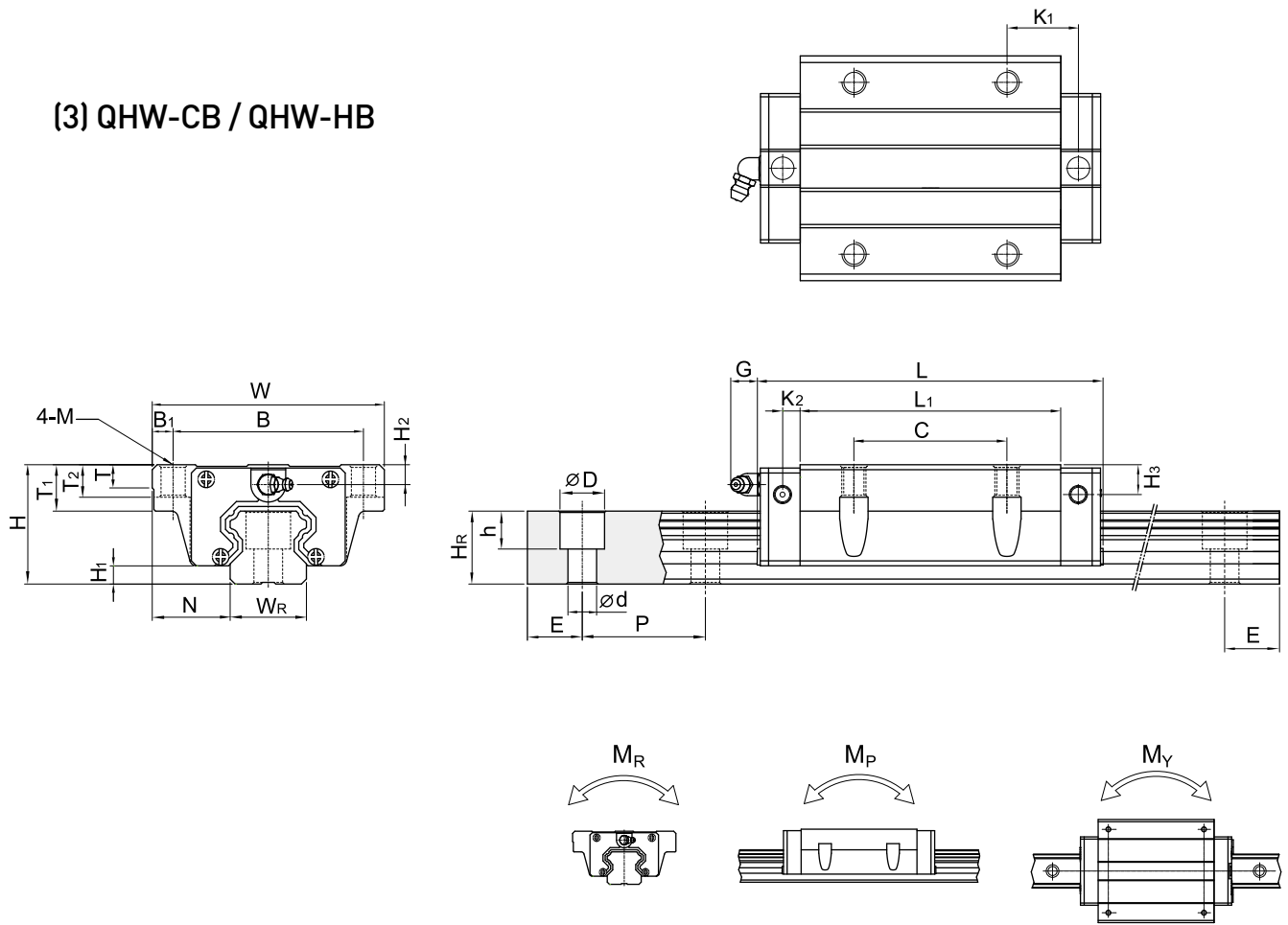
### (2) QHW-CA / QHW-HA



Model No.	Dimensions of Assembly (mm)		Dimensions of Block (mm)															Dimensions of Rail (mm)										Mounting Bolt for Rail (mm)	Basic Dynamic Load Rating C <sub>0</sub> (kN)	Basic Static Load Rating C <sub>0</sub> (kN)	Static Rated Moment			Weight	
	H	H <sub>1</sub>	N	W	B	B <sub>1</sub>	C	L <sub>1</sub>	L	K <sub>1</sub>	K <sub>2</sub>	G	M	T	T <sub>1</sub>	T <sub>2</sub>	H <sub>2</sub>	H <sub>3</sub>	W <sub>R</sub>	H <sub>R</sub>	D	h	d	P	E	M <sub>R</sub>	M <sub>P</sub>				M <sub>Y</sub>	Block	Rail		
	mm	mm	mm	mm	mm	mm	mm	mm	mm	mm	mm	mm	mm	mm	mm	mm	mm	mm	mm	mm	mm	mm	mm	mm	mm	mm	kN-m				kN-m	kN-m	kg	kg/m	
QHW15CA	24	4	16	47	38	4.5	30	39.4	61.4	8	5	5.3	M5	6	8.9	6.95	3.95	4.2	15	15	7.5	5.3	4.5	60	20	M4x16	13.88	14.36	0.1	0.08	0.08	0.17	1.45		
QHW20CA	30	4.6	21.5	63	53	5	40	50.5	76.7	9.75	6	12	M6	8	10	9.5	6	6	20	17.5	9.5	8.5	6	60	20	M5x16	23.08	25.63	0.26	0.19	0.19	0.40	2.21		
QHW20HA								65.2	91.4	17.1																									
QHW25CA	36	5.5	23.5	70	57	6.5	45	58	83.4	10.7	6	12	M8	8	14	10	6	5	23	22	11	9	7	60	20	M6x20	31.78	33.68	0.39	0.31	0.31	0.59	3.21		
QHW25HA								78.6	104	21																									
QHW30CA	42	6	31	90	72	9	52	70	97.4	13.5	6.25	12	M10	8.5	16	10	6.5	6	28	26	14	12	9	80	20	M8x25	46.49	48.17	0.6	0.5	0.5	1.09	4.47		
QHW30HA								93	120.4	25.75																									
QHW35CA	48	7.5	33	100	82	9	62	80	113.6	13	7.5	12	M10	10.1	18	13	8.5	6.5	34	29	14	12	9	80	30	M8x25	60.52	63.84	1.07	0.76	0.76	1.56	6.30		
QHW35HA								105.8	139.4	25.9																									
QHW45CA	60	9.2	37.5	120	100	10	80	97	139.4	13	10	12.9	M12	15.1	22	15	8.5	10	45	38	20	17	14	105	22.5	M12x35	89.21	94.81	1.83	1.38	1.38	2.79	10.41		
QHW45HA								128.8	171.2	28.9																									

Note : 1 kgf = 9.81 N

(3) QHW-CB / QHW-HB



Model No.	Dimensions of Assembly (mm)		Dimensions of Block (mm)															Dimensions of Rail (mm)					Mounting Bolt for Rail (mm)	Basic Dynamic Load Rating C (kN)	Basic Static Load Rating C <sub>0</sub> (kN)	Static Rated Moment			Weight				
	H	H <sub>1</sub>	N	W	B	B <sub>1</sub>	C	L <sub>1</sub>	L	K <sub>1</sub>	K <sub>2</sub>	G	M	T	T <sub>1</sub>	T <sub>2</sub>	H <sub>2</sub>	H <sub>3</sub>	W <sub>R</sub>	H <sub>R</sub>	D	h				d	P	E	M <sub>R</sub>	M <sub>P</sub>	M <sub>Y</sub>	Block	Rail
	kg	mm	mm	mm	mm	mm	mm	mm	mm	mm	mm	mm	mm	mm	mm	mm	mm	mm	mm	mm	mm	mm				mm	mm	mm	mm	kg	kg		
QHW15CB	24	4	16	47	38	4.5	30	39.4	61.4	8	5	5.3	04.5	6	8.9	6.95	3.95	4.2	15	15	7.5	5.3	4.5	60	20	M4x16	13.88	14.36	0.1	0.08	0.08	0.17	1.45
QHW20CB	30	4.6	21.5	63	53	5	40	50.5	76.7	9.75	6	12	06	8	10	9.5	6	6	20	17.5	9.5	8.5	6	60	20	M5x16	23.08	25.63	0.26	0.19	0.19	0.40	2.21
QHW20HB								65.2	91.4	17.1																							
QHW25CB	36	5.5	23.5	70	57	6.5	45	58	83.4	10.7	6	12	07	8	14	10	6	5	23	22	11	9	7	60	20	M6x20	31.78	33.68	0.39	0.31	0.31	0.59	3.21
QHW25HB								78.6	104	21																							
QHW30CB	42	6	31	90	72	9	52	70	97.4	13.5	6.25	12	09	8.5	16	10	6.5	6	28	26	14	12	9	80	20	M8x25	46.49	48.17	0.6	0.5	0.5	1.09	4.47
QHW30HB								93	120.4	25.75																							
QHW35CB	48	7.5	33	100	82	9	62	80	113.6	13	7.5	12	09	10.1	18	13	8.5	6.5	34	29	14	12	9	80	30	M8x25	60.52	63.84	1.07	0.76	0.76	1.56	6.30
QHW35HB								105.8	139.4	25.9																							
QHW45CB	60	9.2	37.5	120	100	10	80	97	139.4	13	10	12.9	011	15.1	22	15	8.5	10	45	38	20	17	14	105	22.5	M12x35	89.21	94.81	1.83	1.38	1.38	2.79	10.41
QHW45HB								128.8	171.2	28.9																							

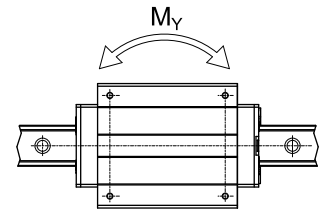
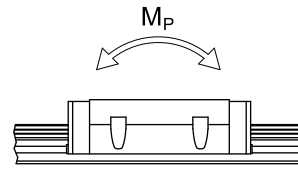
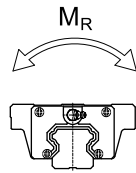
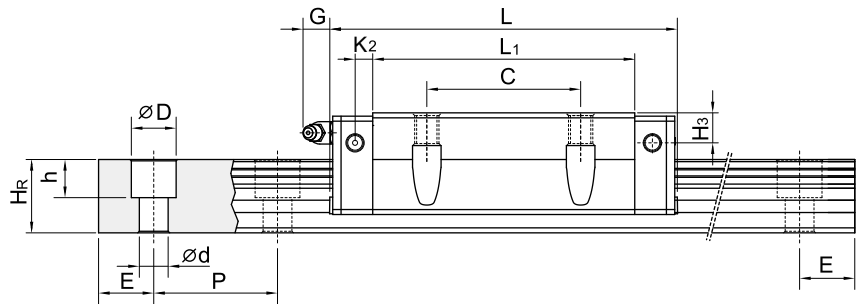
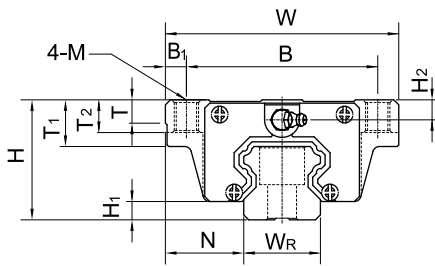
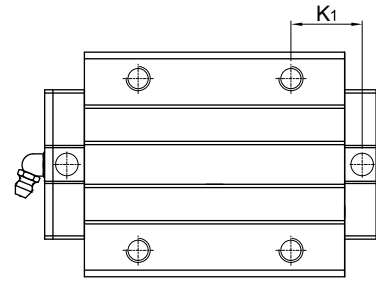
Note : 1 kgf = 9.81 N



# QH Series

## Heavy Load Type

### (4) QHW-CC / QHW-HC



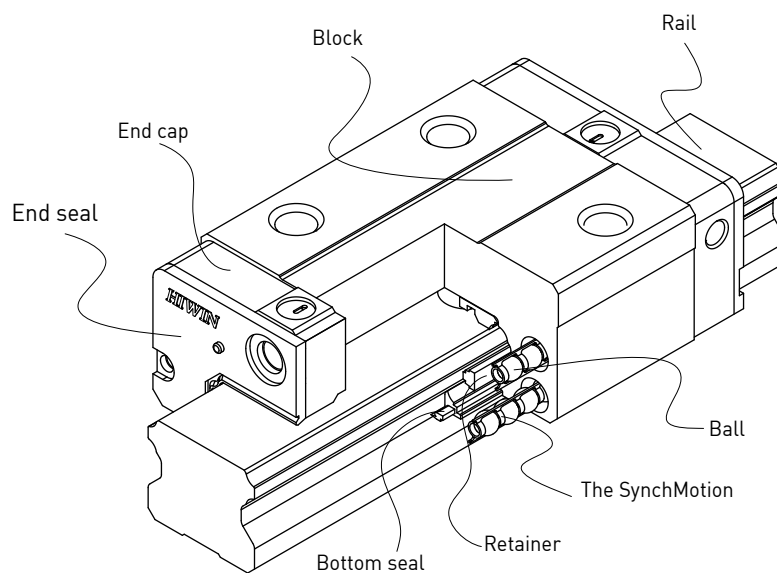
Model No.	Dimensions of Assembly (mm)		Dimensions of Block (mm)														Dimensions of Rail (mm)					Mounting Bolt for Rail (mm)	Basic Dynamic Load Rating C(kN)	Basic Static Load Rating C <sub>0</sub> (kN)	Static Rated Moment			Weight						
	H	H <sub>1</sub>	N	W	B	B <sub>1</sub>	C	L <sub>1</sub>	L	K <sub>1</sub>	K <sub>2</sub>	G	M	T	T <sub>1</sub>	T <sub>2</sub>	H <sub>2</sub>	H <sub>3</sub>	W <sub>R</sub>	H <sub>R</sub>	D				h	d	P	E	M <sub>R</sub>	M <sub>P</sub>	M <sub>Y</sub>	Block	Rail	
	kgf	mm	mm	mm	mm	mm	mm	mm	mm	mm	mm	mm	mm	mm	mm	mm	mm	mm	mm	mm	mm				mm	mm	mm	mm	mm	kN-m	kN-m	kN-m	kg	kg/m
QHW15CC	24	4	16	47	38	4.5	30	39.4	61.4	8	5	5.3	M5	6	8.9	6.95	3.95	4.2	15	15	7.5	5.3	4.5	60	20	M4x16	13.88	14.36	0.1	0.08	0.08	0.17	1.45	
QHW20CC	30	4.6	21.5	63	53	5	40	50.5	76.7	9.75	6	12	M6	8	10	9.5	6	6	20	17.5	9.5	8.5	6	60	20	M5x16	23.08	25.63	0.26	0.19	0.19	0.40	2.21	
QHW20HC								65.2	91.4	17.1																								
QHW25CC	36	5.5	23.5	70	57	6.5	45	58	83.4	10.7	6	12	M8	8	14	10	6	5	23	22	11	9	7	60	20	M6x20	31.78	33.68	0.39	0.31	0.31	0.59	3.21	
QHW25HC								78.6	104	21																								
QHW30CC	42	6	31	90	72	9	52	70	97.4	13.5	6.25	12	M10	8.5	16	10	6.5	6	28	26	14	12	9	80	20	M8x25	46.49	48.17	0.6	0.5	0.5	1.09	4.47	
QHW30HC								93	120.4	25.75																								
QHW35CC	48	7.5	33	100	82	9	62	80	113.6	13	7.5	12	M10	10.1	18	13	8.5	6.5	34	29	14	12	9	80	30	M8x25	60.52	63.84	1.07	0.76	0.76	1.56	6.30	
QHW35HC								105.8	139.4	25.9																								
QHW45CC	60	9.2	37.5	120	100	10	80	97	139.4	13	10	12.9	M12	15.1	22	15	8.5	10	45	38	20	17	14	105	22.5	M12x35	89.21	94.81	1.83	1.38	1.38	2.79	10.41	
QHW45HC								128.8	171.2	28.9																								

Note : 1 kgf = 9.81 N

## 2-7 QE Series – Quiet Linear Guideway, with SynchMotion™ Technology

The development of HIWIN-QE linear guideway is based on a four-row circular-arc contact. The HIWIN-QE series linear guideway with SynchMotion™ Technology offers smooth movement, superior lubrication, quieter operation and longer running life. Therefore the HIWIN-QE linear guideway has broad industrial applicability. In the high-tech industry where high speed, low noise, and reduced dust generation is required, the HIWIN-QE series is interchangeable with the HIWIN-EG series.

### 2-7-1 Construction



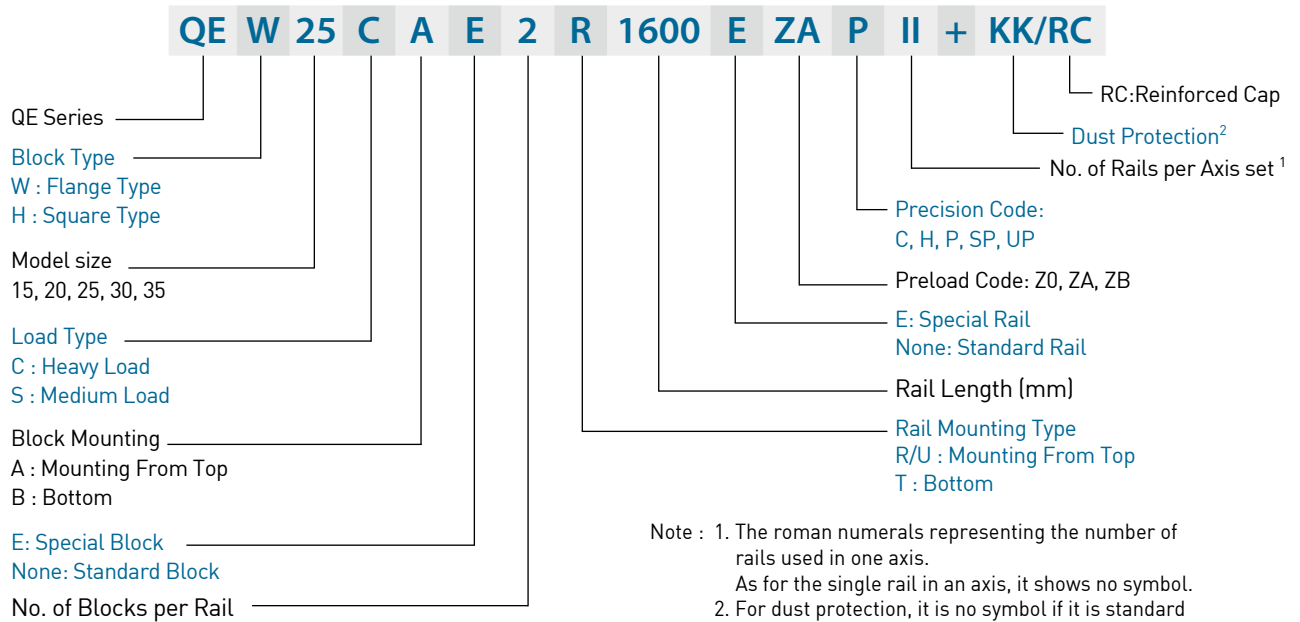
### 2-7-2 Model Number of QE Series

HIWIN-QE series guideway can be classified into non-interchangeable and interchangeable types. The sizes are identical. The main difference is that the interchangeable blocks and rails can be freely exchanged. Because of dimensional control, the interchangeable type linear guideway is a perfect choice for the client when rails do not need to be paired for an axis. And since the QE and EG share the identical rails, the customer does not need to redesign when choosing the QE series. Therefore the HIWIN-QE linear guideway has increased applicability.

# QE Series

## Low Profile

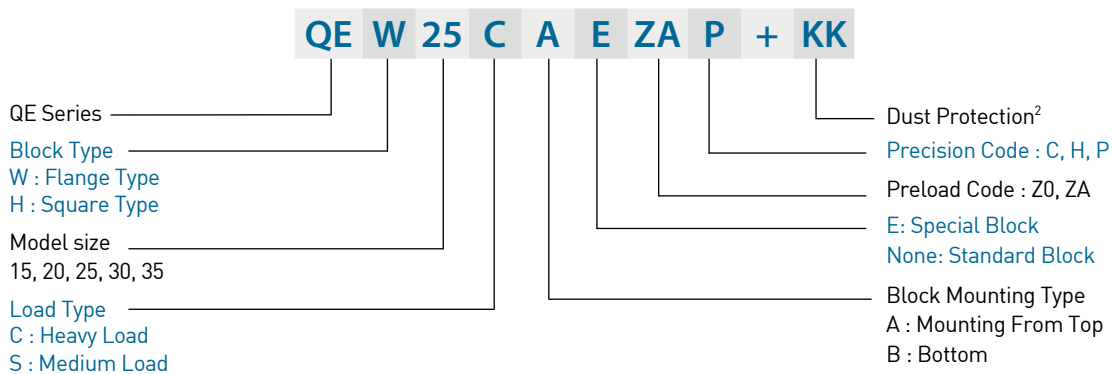
### (1) Non-interchangeable type



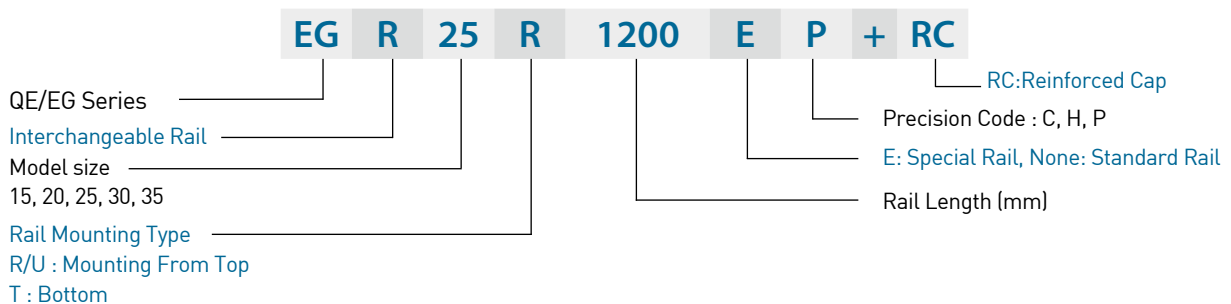
Note : 1. The roman numerals representing the number of rails used in one axis.  
As for the single rail in an axis, it shows no symbol.  
2. For dust protection, it is no symbol if it is standard (end seal and bottom seal).  
ZZ : End seal, bottom seal and scraper.  
KK : Double seals, bottom seal and scraper.  
DD : Double seals and bottom seal.

### (2) Interchangeable type

#### ○ Model Number of QE Block



#### ○ Model Number of QE Rail (QE and EG share the identical rails)

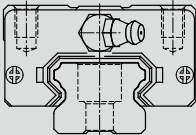
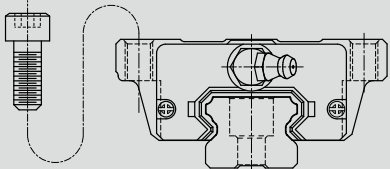
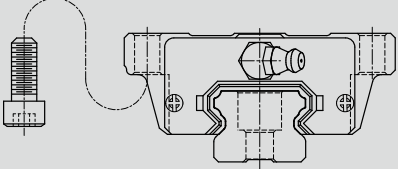


## 2-7-3 Types

### (1) Block types

HIWIN offers two types of linear guideways, flange and square types.

Table 2-7-1 Block Type

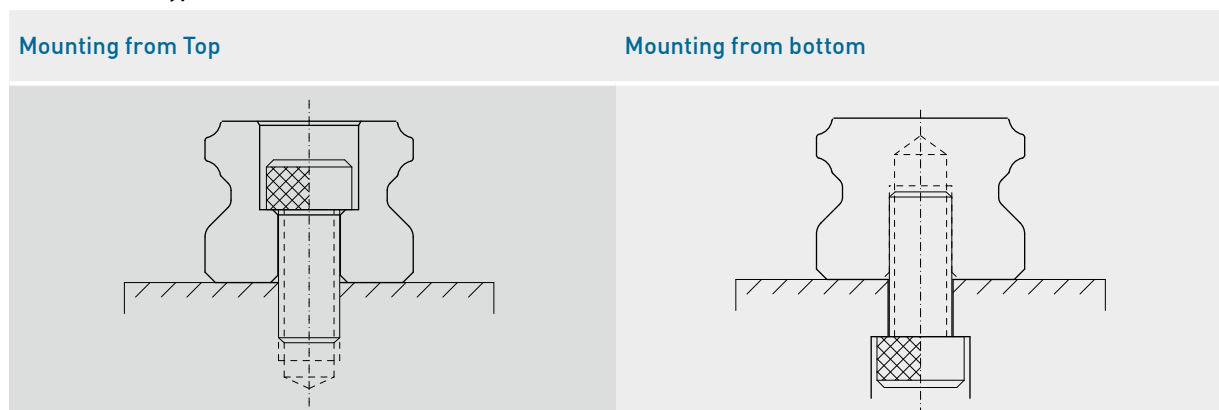
Type	Model	Shape	Height (mm)	Rail Length (mm)	Main Applications
Square	QEH-SA QEH-CA		24	100	<ul style="list-style-type: none"> <li>○ Automation devices</li> <li>○ High-speed transportation equipment</li> <li>○ Precision measuring equipment</li> <li>○ Semiconductor manufacturing equipment</li> </ul>
			↓	↓	
Flange	QEW-SA QEW-CA		48	4000	
			↓	↓	
			24	100	
			↓	↓	
Flange	QEW-SB QEW-CB		48	4000	
			↓	↓	

\*Please refer to the chapter 2-7-10 for the dimensional detail.

### (2) Rail types

Besides the standard top mounting type, the bottom mounting type is also available.

Table 2-7-2 Rail Types

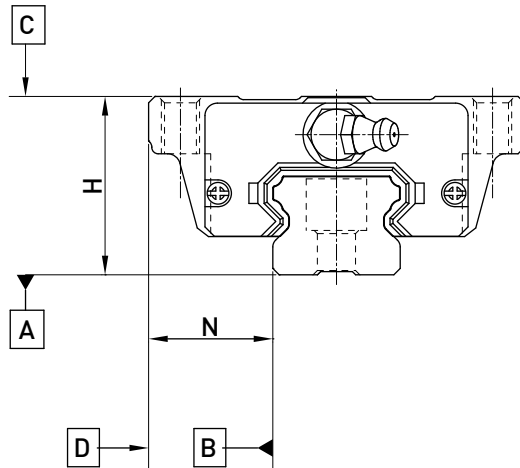


## QE Series

### Low Profile

#### 2-7-4 Accuracy

The accuracy of the QE series can be classified into 5 classes: normal(C), high(H), precision(P), super precision(SP), and ultra precision(UP). Choose the class by referencing the accuracy of selected equipment.



#### (1) Accuracy of non-interchangeable guideways

Table 2-7-3 Accuracy Standards

Unit: mm

Item	QE - 15, 20				
	Normal (C)	High (H)	Precision (P)	Super Precision (SP)	Ultra Precision (UP)
Dimensional tolerance of height H	± 0.1	± 0.03	0 - 0.03	0 - 0.015	0 - 0.008
Dimensional tolerance of width N	± 0.1	± 0.03	0 - 0.03	0 - 0.015	0 - 0.008
Variation of height H	0.02	0.01	0.006	0.004	0.003
Variation of width N	0.02	0.01	0.006	0.004	0.003
Running parallelism of block surface C to surface A	See Table 2-7-7				
Running parallelism of block surface D to surface B	See Table 2-7-7				

Table 2-7-4 Accuracy Standards

Unit: mm

Item	QE - 25, 30, 35				
	Normal (C)	High (H)	Precision (P)	Super Precision (SP)	Ultra Precision (UP)
Dimensional tolerance of height H	± 0.1	± 0.04	0 - 0.04	0 - 0.02	0 - 0.01
Dimensional tolerance of width N	± 0.1	± 0.04	0 - 0.04	0 - 0.02	0 - 0.01
Variation of height H	0.02	0.015	0.007	0.005	0.003
Variation of width N	0.03	0.015	0.007	0.005	0.003
Running parallelism of block surface C to surface A	See Table 2-7-7				
Running parallelism of block surface D to surface B	See Table 2-7-7				

## (2) Accuracy of interchangeable guideways

Table 2-7-5 Accuracy Standards

Unit: mm

Item	QE - 15, 20		
Accuracy Classes	Normal (C)	High (H)	Precision (P)
Dimensional tolerance of height H	± 0.1	± 0.03	± 0.015
Dimensional tolerance of width N	± 0.1	± 0.03	± 0.015
Variation of height H	0.02	0.01	0.006
Variation of width N	0.02	0.01	0.006
Running parallelism of block surface C to surface A	See Table 2-7-7		
Running parallelism of block surface D to surface B	See Table 2-7-7		

Table 2-7-6 Accuracy Standards

Unit: mm

Item	QE - 25, 30, 35		
Accuracy Classes	Normal (C)	High (H)	Precision (P)
Dimensional tolerance of height H	± 0.1	± 0.04	± 0.02
Dimensional tolerance of width N	± 0.1	± 0.04	± 0.02
Variation of height H	0.02	0.015	0.007
Variation of width N	0.03	0.015	0.007
Running parallelism of block surface C to surface A	See Table 2-7-7		
Running parallelism of block surface D to surface B	See Table 2-7-7		

## (3) Accuracy of running parallelism

Table 2-7-7 Accuracy of Running Parallelism

Rail Length (mm)	Accuracy (μm)				
	C	H	P	SP	UP
~ 100	12	7	3	2	2
100 ~ 200	14	9	4	2	2
200 ~ 300	15	10	5	3	2
300 ~ 500	17	12	6	3	2
500 ~ 700	20	13	7	4	2
700 ~ 900	22	15	8	5	3
900 ~ 1,100	24	16	9	6	3
1,100 ~ 1,500	26	18	11	7	4
1,500 ~ 1,900	28	20	13	8	4
1,900 ~ 2,500	31	22	15	10	5
2,500 ~ 3,100	33	25	18	11	6
3,100 ~ 3,600	36	27	20	14	7
3,600 ~ 4,000	37	28	21	15	7

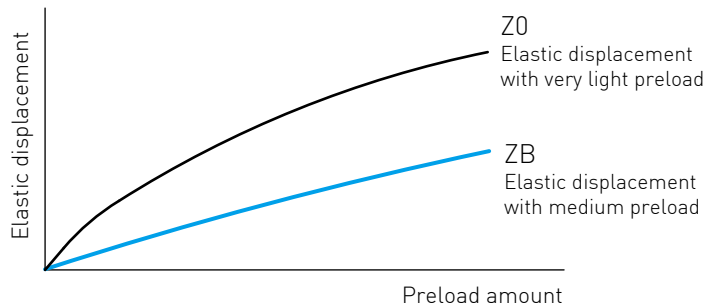
## QE Series

### Low Profile

#### 2-7-5 Preload

##### (1) Definition

A preload can be applied to each guideway. Generally, a linear motion guideway has a negative clearance between the groove and balls in order to improve stiffness and maintain high precision. The figure shows that adding a preload can improve stiffness of the linear guideway. A preload no greater than ZA would be recommended for model sizes smaller than EG20. This will avoid an over-loaded condition that would affect guideway life.



##### (2) Preload classes

HIWIN offers three standard preloads for various applications and conditions.

Table 2-7-8 Preload Classes

Class	Code	Preload	Condition
Very Light Preload	Z0	0~ 0.02C	Certain load direction, low impact, low precision required
Light Preload	ZA	0.03C~0.05C	low load and high precision required
Medium Preload	ZB	0.06C~ 0.08C	High rigidity required, with vibration and impact

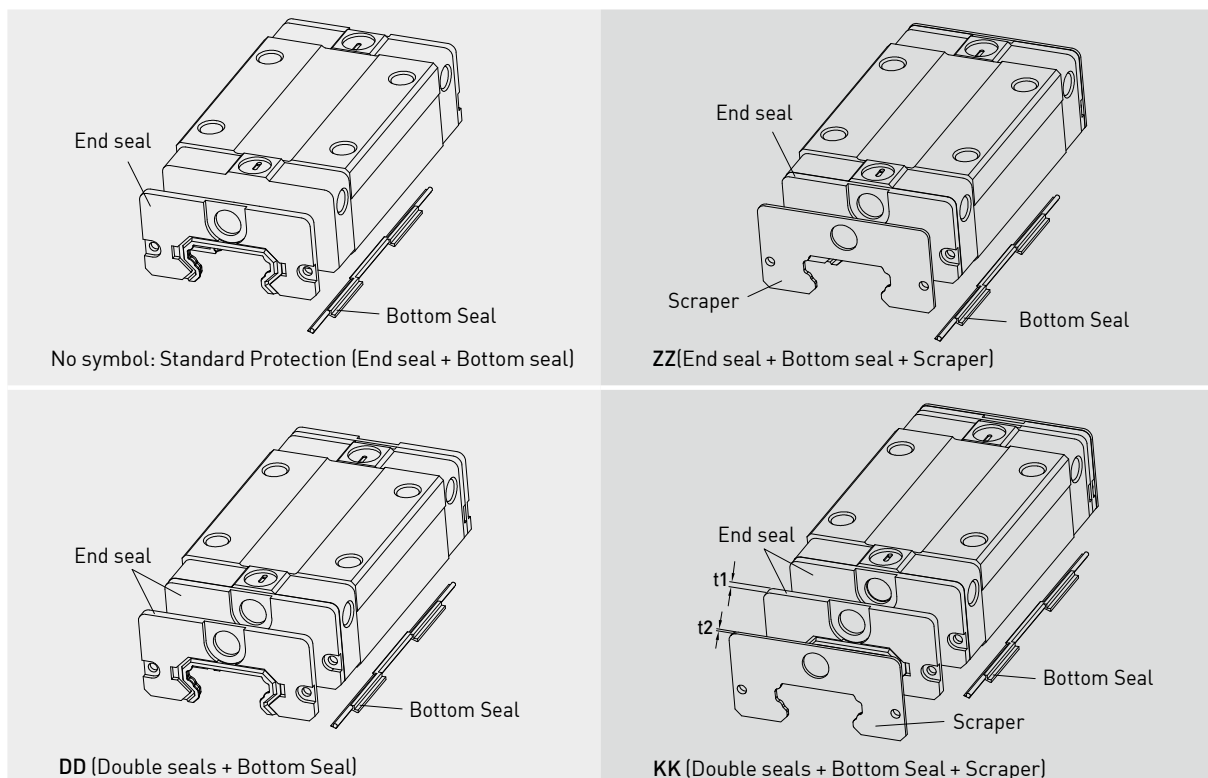
Class	Interchangeable Guideway	Non-Interchangeable Guideway
Preload classes	Z0, ZA	Z0, ZA, ZB

Note: The "C" in the preload column denotes basic dynamic load rating.

#### 2-7-6 Dust Protection Equipment

##### (1) Codes of equipment

If the following equipment is needed, please indicate the code followed by the model number.



**(2) End seal and bottom seal**

To prevent life reduction caused by iron chips or dust entering the block.

**(3) Double seals**

Removes foreign matter from the rail preventing contaminants from entering the block.

Table 2-7-9 Dimensions of end seal

Size	Thickness (t1) (mm)	Size	Thickness (t1) (mm)
QE15 ES	2	QE30 ES	2.5
QE20 ES	2	QE35 ES	2
QE25 ES	2.5		

**(4) Scraper**

Clears larger contaminants, such as weld spatter and metal cuttings, from the rail. Metal scraper protects end seals from excessive damage.

Table 2-7-10 Dimensions of Scraper

Size	Thickness (t2) (mm)
QE15 SC	1
QE20 SC	1
QE25 SC	1
QE30 SC	1
QE35 SC	1.5

**(5) Dimensions of block equipped with the dustproof parts**

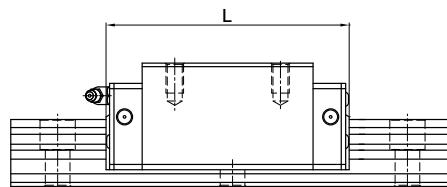


Table 2-7-11 Overall block length

unit: mm

Size	Overall block length (L)			
	Standard	ZZ	DD	KK
QE15S	40.1	42.1	44.1	46.1
QE15C	56.8	58.8	60.8	62.8
QE20S	50	52	54	56
QE20C	69.1	71.1	73.1	75.1
QE25S	60.1	62.1	65.1	67.1
QE25C	83.6	85.6	88.6	90.6
QE30S	67.5	69.5	72.5	74.5
QE30C	96.1	98.1	101.1	103.1
QE35S	76	79	80	83
QE35C	108	111	112	115



## QE Series

### Low Profile

#### 2-7-7 Friction

The maximum value of resistance per end seal are as shown in the table.

Table 2-7-12 Seal Resistance

Size	Resistance N (kgf)
QE15	1.08 [0.11]
QE20	1.37 [0.14]
QE25	1.67 [0.17]
QE30	2.06 [0.21]
QE35	2.26 [0.23]

Note: 1kgf=9.81N

#### 2-7-8 Mounting Surface Accuracy Tolerance

Because of the circular-arc contact design, the QE linear guideway can withstand surface-error installation and deliver smooth linear motion. When the mounting surface meets the accuracy requirements of the installation, the high accuracy and rigidity of the guideway will be obtained without any difficulty. For faster installation and smoother movement, HIWIN offers a preload with normal clearance because of its ability to absorb higher deviations in mounting surface inaccuracies.

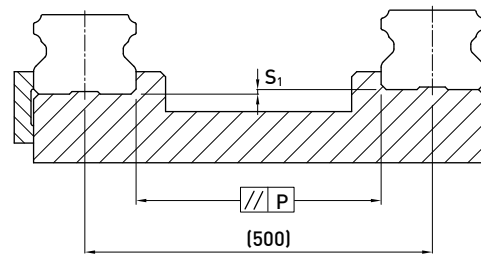


Table 2-7-13 Max. Parallelism Tolerance (P)

unit:  $\mu\text{m}$

Size	Preload classes		
	Z0	ZA	ZB
QE15	25	18	-
QE20	25	20	18
QE25	30	22	20
QE30	40	30	27
QE35	50	35	30

Table 2-7-14 Max. Tolerance of Reference Surface Height (S<sub>1</sub>)

unit:  $\mu\text{m}$

Size	Preload classes		
	Z0	ZA	ZB
QE15	130	85	-
QE20	130	85	50
QE25	130	85	70
QE30	170	110	90
QE35	210	150	120

## 2-7-9 Cautions for Installation

### (1) Shoulder heights and chamfers

Improper shoulder heights and chamfers of mounting surfaces will cause deviations in accuracy and rail or block interference with the chamfered part.

When recommended shoulder heights and chamfers are used, problems with installation accuracy should be eliminated.

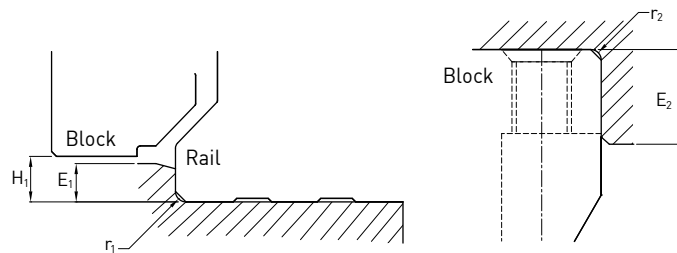


Table 2-7-15 Shoulder Heights and Chamfers

unit: mm

Size	Max. radius of fillets $r_1$ (mm)	Max. radius of fillets $r_2$ (mm)	Shoulder height of the rail $E_1$ (mm)	Shoulder height of the block $E_2$ (mm)	Clearance under block $H_1$ (mm)
QE15	0.5	0.5	2.7	5.0	4.5
QE20	0.5	0.5	5.0	7.0	6.0
QE25	1.0	1.0	5.0	7.5	6.2
QE30	1.0	1.0	7.0	7.0	10.0
Q 35	1.0	1.5	7.5	9.5	11.0

### (2) Tightening Torque of Bolts for Installation

Improperly tightened mounting bolts will seriously affect the accuracy of linear guide installations. The following tightening torques for different sizes of bolts are recommended.

Table 2-7-16 Tightening Torque

Size	Bolt size	Torque N-cm(kgf-cm)		
		Iron	Casting	Aluminum
QE15	M3×0.5P×16L	186 (19)	127 (13)	98(10)
QE20	M5×0.8P×16L	883 (90)	588 (60)	441 (45)
QE25	M6×1P×20L	1373 (140)	921 (94)	686 (70)
QE30	M6×1P×25L	1373 (140)	921 (94)	686 (70)
QE35	M8×1.25P×25L	3041 (310)	2010 (205)	1470 (150)

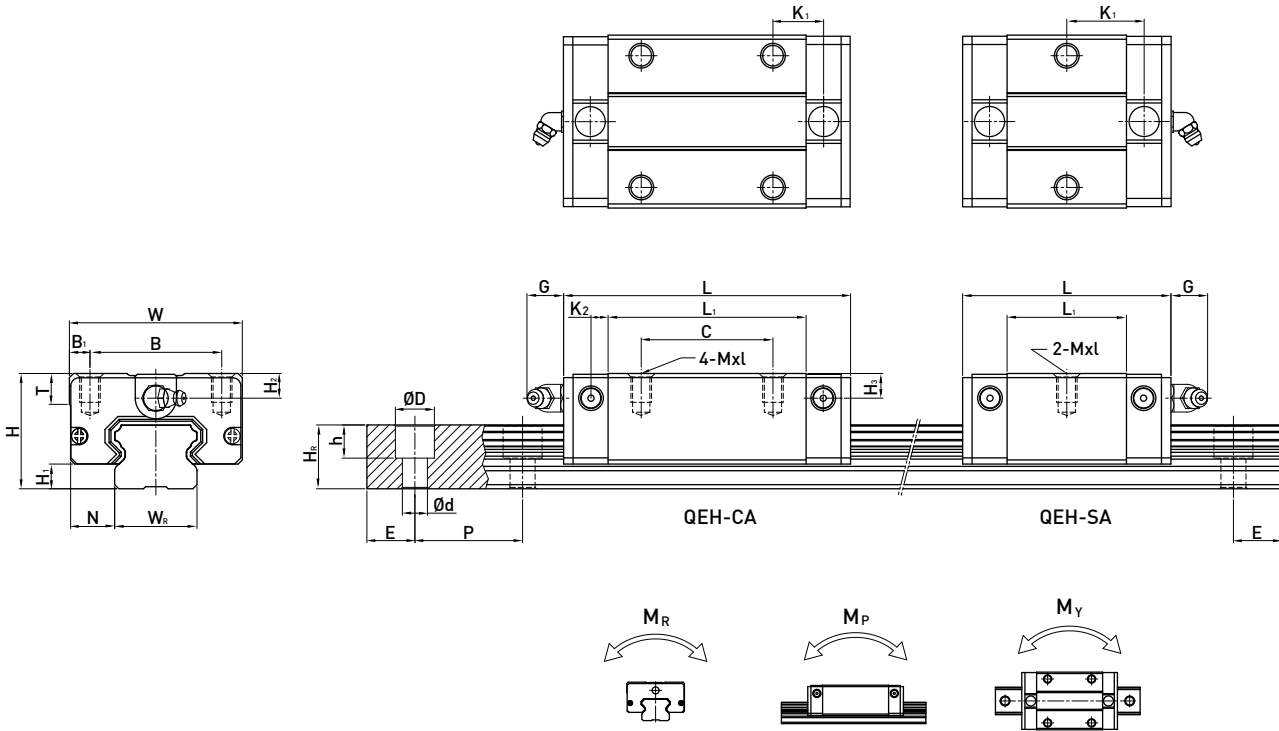
Note: 1 kgf = 9.81 N

# QE Series

Low Profile

## 2-7-10 Dimensions for HIWIN QE Series

### (1) QEH-CA / QEH-SA



Model No.	Dimensions of Assembly (mm)				Dimensions of Block (mm)										Dimensions of Rail (mm)						Mounting Bolt for Rail (mm)	Basic Dynamic Load Rating C (kN)	Basic Static Load Rating C <sub>0</sub> (kN)	Static Rated Moment			Weight				
	H	H <sub>1</sub>	N	W	B	B <sub>1</sub>	C	L <sub>1</sub>	L	K <sub>1</sub>	K <sub>2</sub>	G	Mxl	T	H <sub>2</sub>	H <sub>3</sub>	W <sub>R</sub>	H <sub>R</sub>	D	h				d	P	E	M <sub>R</sub> (kN-m)	M <sub>P</sub> (kN-m)	M <sub>Y</sub> (kN-m)	Block (kg)	Rail (kg/m)
QEH15SA	24	4	9.5	34	26	4	-	23.1	40.1	14.8	3.5	5.7	M4x6	6	5.5	6	15	12.5	6	4.5	3.5	60	20	M3x16	8.56	8.79	0.07	0.03	0.03	0.09	1.25
QEH15CA							26	39.8	56.8	10.15															12.53	15.28	0.12	0.09	0.09	0.15	
QEH20SA	28	6	11	42	32	5	-	29	50	18.75	4.15	12	M5x7	7.5	6	6.5	20	15.5	9.5	8.5	6	60	20	M5x16	11.57	12.18	0.13	0.05	0.05	0.15	2.08
QEH20CA							32	48.1	69.1	12.3															16.50	20.21	0.21	0.15	0.15	0.23	
QEH25SA	33	6.2	12.5	48	35	6.5	-	35.5	60.1	21.9	5	12	M6x9	8	8	8	23	18	11	9	7	60	20	M6x20	18.24	18.90	0.22	0.10	0.10	0.24	2.67
QEH25CA							35	59	83.6	16.15															26.03	31.49	0.37	0.29	0.29	0.40	
QEH30SA	42	10	16	60	40	10	-	41.5	67.5	25.75	6	12	M8x12	9	8	9	28	23	11	9	7	80	20	M6x25	26.27	27.82	0.40	0.18	0.18	0.44	4.35
QEH30CA							40	70.1	96.1	20.05															37.92	46.63	0.67	0.51	0.51	0.75	
QEH35SA	48	11	18	70	50	10	-	51	76	30.3	6.25	12	M8x12	10	8.5	8.5	34	27.5	14	12	9	80	20	M8x25	36.39	36.43	0.61	0.33	0.33	0.77	6.14
QEH35CA							50	83	108	21.3															51.18	59.28	1.00	0.75	0.75	1.19	

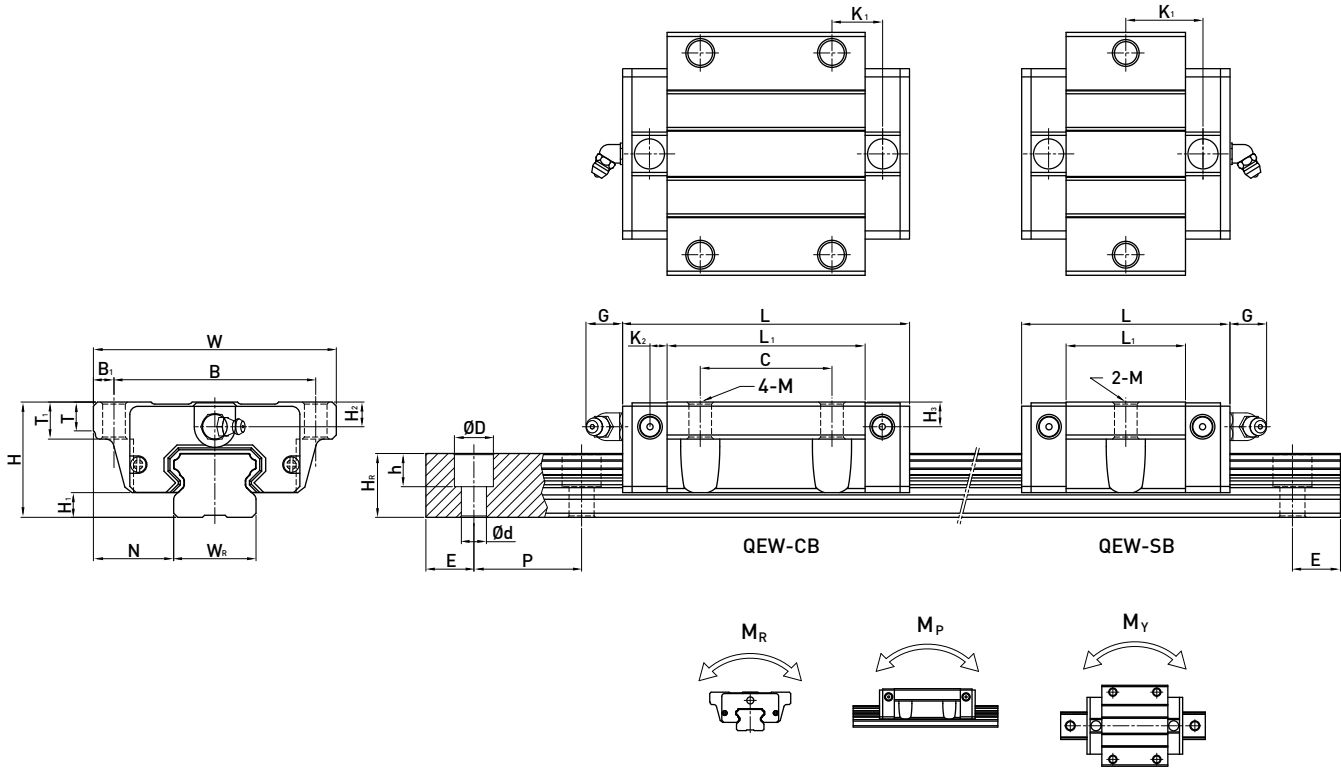
Note : 1 kgf = 9.81 N



# QE Series

Low Profile

## (3) QEW-CB / QEW-SB



Model No.	Dimensions of Assembly (mm)			Dimensions of Block (mm)											Dimensions of Rail (mm)						Mounting Bolt for Rail (mm)	Basic Dynamic Load Rating C (kN)	Basic Static Load Rating C <sub>0</sub> (kN)	Static Rated Moment			Weight					
	H	H <sub>1</sub>	N	W	B	B <sub>1</sub>	C	L <sub>1</sub>	L	K <sub>1</sub>	K <sub>2</sub>	G	M	T	T <sub>1</sub>	H <sub>2</sub>	H <sub>3</sub>	W <sub>R</sub>	H <sub>R</sub>	D				h	d	P	E	M <sub>R</sub>	M <sub>P</sub>	M <sub>Y</sub>	Block kg	Rail kg/m
QEW15SB	24	4	18.5	52	41	5.5	-	23.1	40.1	14.8	3.5	5.7	Ø4.5	5	7	5.5	6	15	12.5	6	4.5	3.5	60	20	M3x16	8.56	8.79	0.07	0.03	0.03	0.12	1.25
QEW15CB							26	39.8	56.8	10.15																12.53	15.28	0.12	0.09	0.09	0.21	
QEW20SB	28	6	19.5	59	49	5	-	29	50	18.75	4.15	12	Ø5.5	7	9	6	6.5	20	15.5	9.5	8.5	6	60	20	M5x16	11.57	12.18	0.13	0.05	0.05	0.19	2.08
QEW20CB							32	48.1	69.1	12.3																16.50	20.21	0.21	0.15	0.15	0.31	
QEW25SB	33	6.2	25	73	60	6.5	-	35.5	60.1	21.9	5	12	Ø7	7.5	10	8	8	23	18	11	9	7	60	20	M6x20	18.24	18.90	0.22	0.10	0.10	0.34	2.67
QEW25CB							35	59	83.6	16.15																26.03	31.49	0.37	0.29	0.29	0.58	
QEW30SB	42	10	31	90	72	9	-	41.5	67.5	25.75	6	12	Ø9	7	10	8	9	28	23	11	9	7	80	20	M6x25	26.27	27.82	0.40	0.18	0.18	0.61	4.35
QEW30CB							40	70.1	96.1	20.05																37.92	46.63	0.67	0.51	0.51	1.03	
QEW35SB	48	11	33	100	82	9	-	51	76	30.3	6.25	12	Ø9	10	13	8.5	8.5	34	27.5	14	12	9	80	20	M8x25	36.39	36.43	0.61	0.33	0.33	0.77	6.14
QEW35CB							50	83	108	21.3																51.18	59.28	1.00	0.75	0.75	1.19	

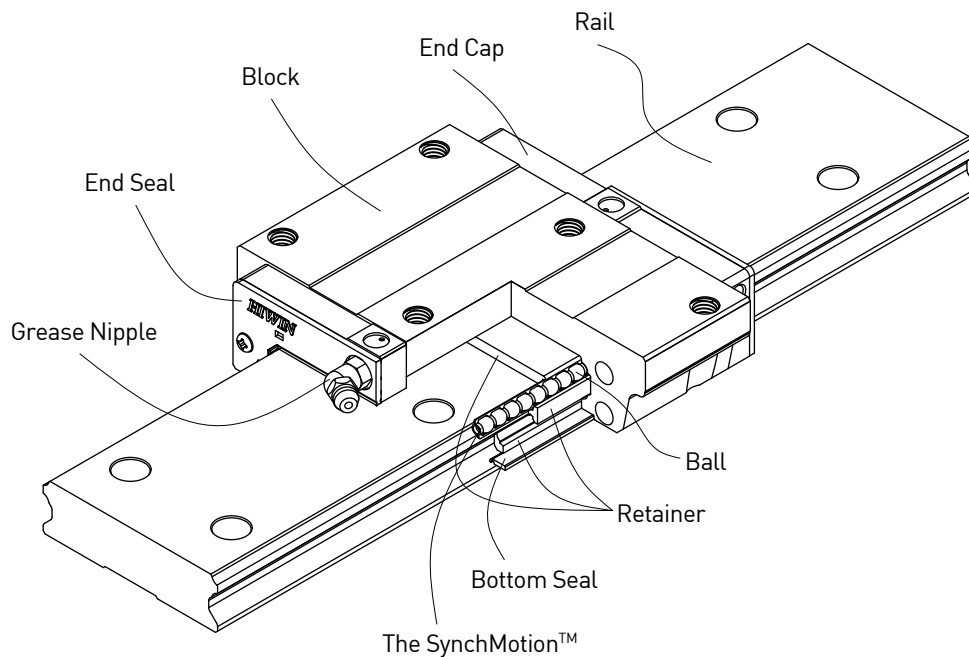
Note : 1 kgf = 9.81 N

## 2-8 QW Series - Wide Rail Linear Guideway, with SynchMotion™ Technology

### 2-8-1 Features

The HIWIN QW series linear guideway with SynchMotion™ Technology possesses all the advantages of the WE series, which features high moment rigidity and is suitable for single rail or space saving applications. With the SynchMotion™ technology it also provides quieter and smoother movement, superior lubrication, and longer service life.

### 2-8-2 Construction



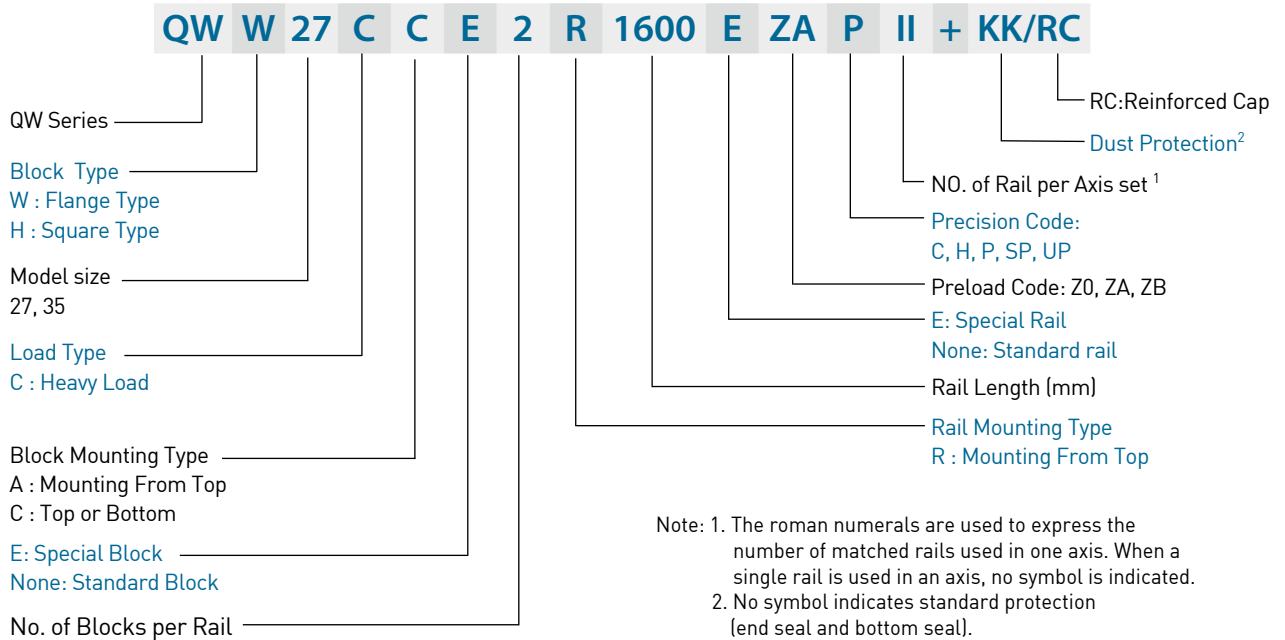
### 2-8-3 Model Number of QW Series

HIWIN-QW series guideway can be classified into non-interchangeable and interchangeable types. The sizes are identical. The main difference is that the interchangeable blocks and rails can be freely exchanged. Because of dimensional control, the interchangeable type linear guideway is a perfect choice for the client when rails do not need to be paired for an axis. And since the QW and WE share the identical rails, the customer does not need to redesign when choosing the QW series. Therefore the HIWIN-QW linear guideway has increased applicability.

# QW Series

## Wide Rail

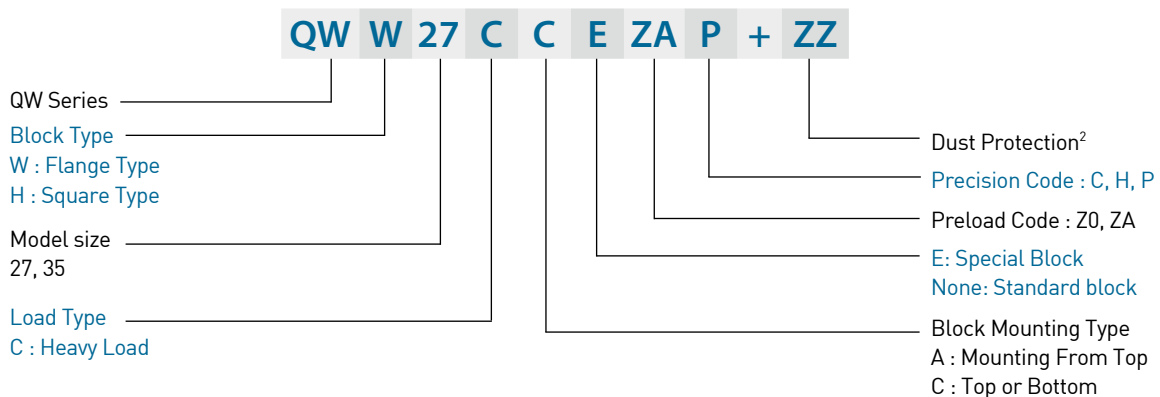
### (1) Non-interchangeable type



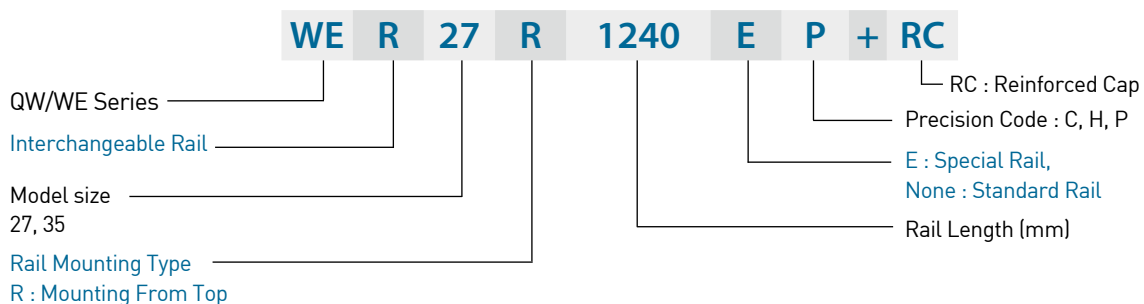
Note: 1. The roman numerals are used to express the number of matched rails used in one axis. When a single rail is used in an axis, no symbol is indicated.  
2. No symbol indicates standard protection (end seal and bottom seal).  
ZZ : End seal, bottom seal and scraper  
KK: Double seals, bottom seal and scraper.  
DD: Double seals and bottom seal

### (2) Interchangeable type

#### ○ Model Number of QW Block

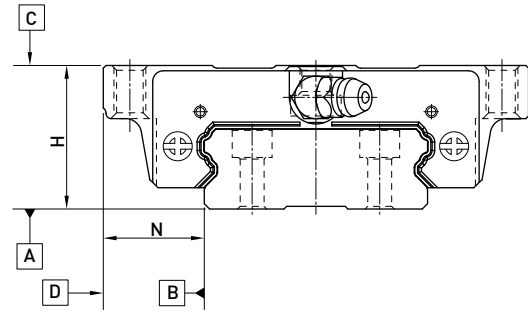


#### ○ Model Number of QW Rail (QW and WE share the identical rails)



### 2-8-4 Accuracy

The accuracy of the QW series can be classified into 5 classes: normal(C), high(H), precision(P), super precision(SP), and ultra precision(UP). Choose the class by referencing the accuracy of selected equipment.



#### (1) Accuracy of non-interchangeable guideways

Table 2-8-1 Accuracy Standards

Unit: mm

Type	QW - 27, 35				
Accuracy Classes	Normal (C)	High (H)	Precision (P)	Super Precision (SP)	Ultra Precision (UP)
Dimensional tolerance of height H	± 0.1	± 0.04	0 - 0.04	0 - 0.02	0 - 0.01
Dimensional tolerance of width N	± 0.1	± 0.04	0 - 0.04	0 - 0.02	0 - 0.01
Variation of height H	0.02	0.015	0.007	0.005	0.003
Variation of width N	0.03	0.015	0.007	0.005	0.003
Running parallelism of block surface C to surface A	See Table 2-8-3				
Running parallelism of block surface D to surface B	See Table 2-8-3				

#### (2) Accuracy of interchangeable guideways

Table 2-8-2 Accuracy Standards

Unit: mm

Item	QW - 27, 35		
Accuracy Classes	Normal (C)	High (H)	Precision (P)
Dimensional tolerance of height H	± 0.1	± 0.04	± 0.02
Dimensional tolerance of width N	± 0.1	± 0.04	± 0.02
Variation of height H	0.02	0.015	0.007
Variation of width N	0.03	0.015	0.007
Running parallelism of block surface C to surface A	See Table 2-8-3		
Running parallelism of block surface D to surface B	See Table 2-8-3		



## QW Series

### Wide Rail

#### (3) Accuracy of running parallelism

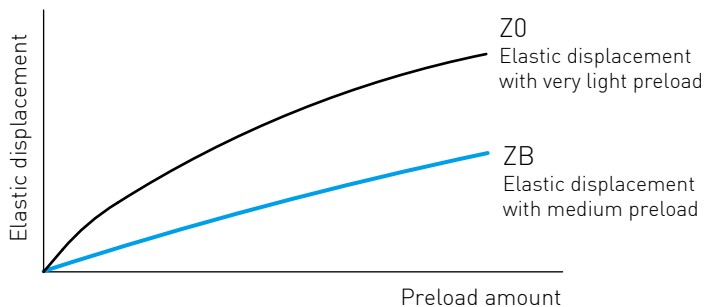
Table 2-8-3 Accuracy of Running Parallelism

Rail Length (mm)	Accuracy (μm)				
	C	H	P	SP	UP
~ 100	12	7	3	2	2
100 ~ 200	14	9	4	2	2
200 ~ 300	15	10	5	3	2
300 ~ 500	17	12	6	3	2
500 ~ 700	20	13	7	4	2
700 ~ 900	22	15	8	5	3
900 ~ 1,100	24	16	9	6	3
1,100 ~ 1,500	26	18	11	7	4
1,500 ~ 1,900	28	20	13	8	4
1,900 ~ 2,500	31	22	15	10	5
2,500 ~ 3,100	33	25	18	11	6
3,100 ~ 3,600	36	27	20	14	7
3,600 ~ 4,000	37	28	21	15	7

## 2-8-5 Preload

### (1) Definition

A preload can be applied to each guideway. Generally, a linear motion guideway has a negative clearance between the groove and balls in order to improve stiffness and maintain high precision. The figure shows that adding a preload can improve stiffness of the linear guideway.



### (2) Preload classes

HIWIN offers three standard preloads for various applications and conditions.

Table 2-8-4 Preload Classes

Class	Code	Preload	Condition
Very Light Preload	Z0	0~ 0.02C	Certain load direction, low impact, low precision requirement
Light Preload	ZA	0.03C~0.05C	low load and high precision requirement
Medium Preload	ZB	0.06C~ 0.08C	High rigidity requirement, with vibration and impact

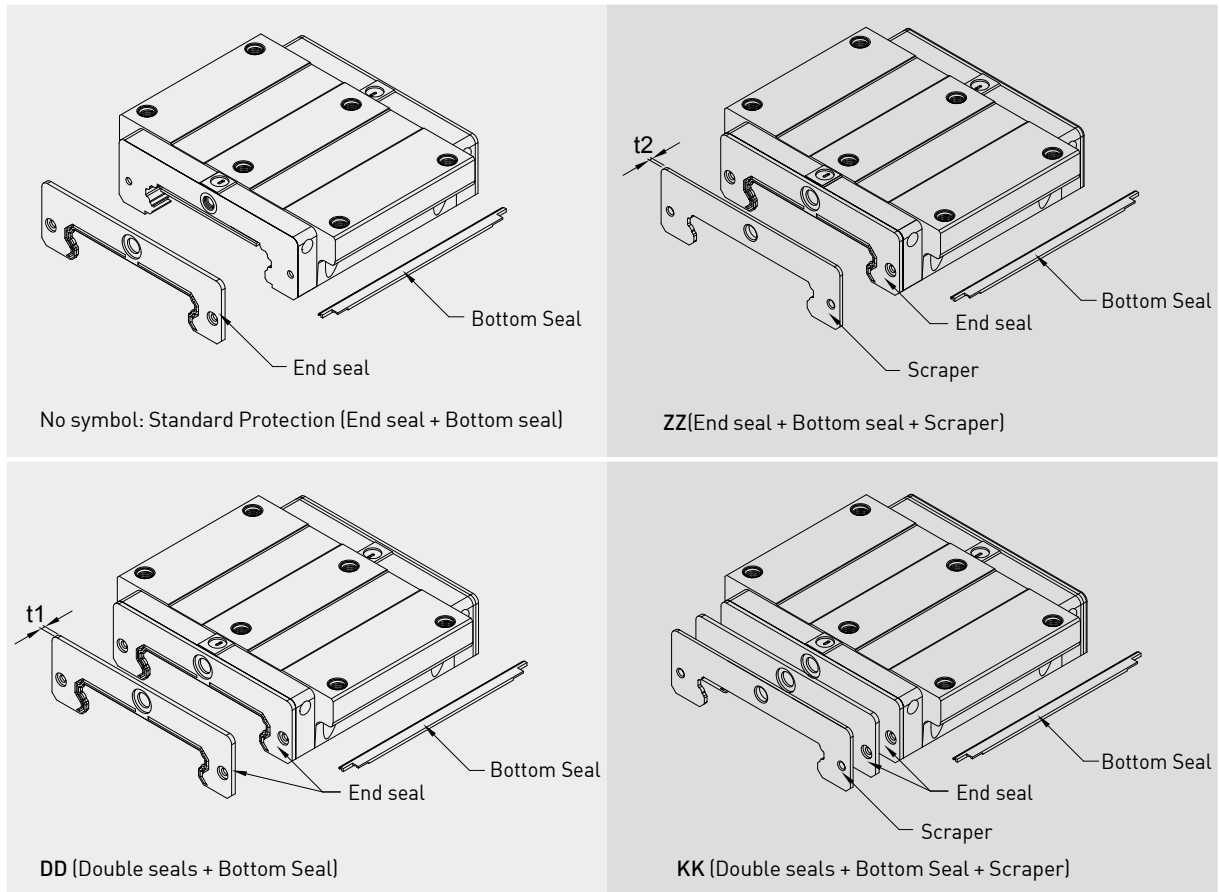
Class	Interchangeable Guideway	Non-Interchangeable Guideway
Preload classes	Z0, ZA	Z0, ZA, ZB

Note: The "C" in the preload column denotes basic dynamic load rating.

## 2-8-6 Dust Protection Equipment

### (1) Codes of equipment

If the following equipment is needed, please indicate the code followed by the model number.



### (2) End seal and bottom seal

Protects against contaminants entering the block. Reduces potential for groove damage resulting in a reduction of life ratings.

### (3) Double seals

Removes foreign matter from the rail preventing contaminants from entering the block.

Table 2-8-5 Dimensions of end seal

Size	Thickness (t1) (mm)
QW27 ES	2
QW35 ES	2

## QW Series

### Wide Rail

#### (4) Scraper

Clears larger contaminants, such as weld spatter and metal cuttings, from the rail. Metal scraper protects end seals from excessive damage.

Table 2-8-6 Dimensions of Scraper

Size	Thickness (t2) (mm)
QW27 SC	1
QW35 SC	1.5

#### (5) Bolt caps for rail mounting holes

Rail mounting hole caps prevent foreign matter from accumulating in the mounting holes. Caps are included with the rail package.

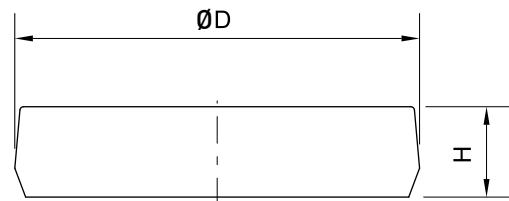


Table 2-8-7 Dimensions of Bolt Caps for Rail Mounting Holes

Rail size	Bolt size	Diameter(D) (mm)	Thickness(H) (mm)
QWR27R	M4	7.65	1.1
QWR35R	M6	11.20	2.5

#### (6) Dimensions of block equipped with the dustproof parts

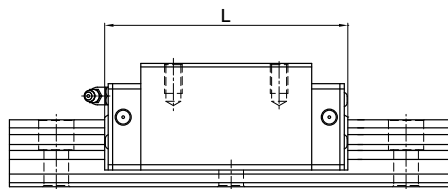


Table 2-8-8 Overall block length

unit: mm

Size	Overall block length (L)			
	Standard	ZZ	DD	KK
QW27C	73.2	75.2	77.2	79.2
QW35C	107	110	111	114

## 2-8-7 Friction

The maximum value of resistance per end seal are as shown in the table.

Table 2-8-9 Seal Resistance

Size	Resistance N (kgf)
QW27	2.94 (0.3)
QW35	3.92 (0.4)

Note: 1kgf=9.81N

### 2-8-8 Mounting Surface Accuracy Tolerance

Because of the circular-arc contact design, the QW linear guideway can withstand surface-error installation and deliver smooth linear motion. When the mounting surface meets the accuracy requirements of the installation, the high accuracy and rigidity of the guideway will be obtained without any difficulty. For faster installation and smoother movement, HIWIN offers a preload with normal clearance because of its ability to absorb higher deviations in mounting surface inaccuracies.

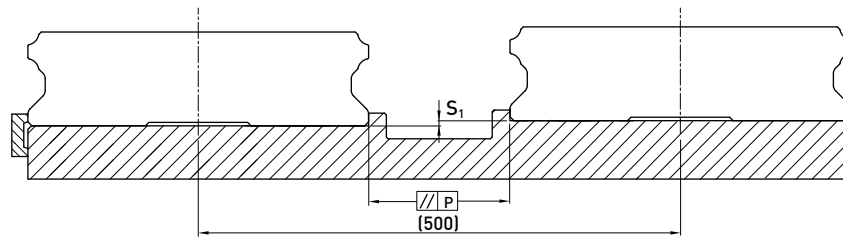


Table 2-8-10 Max. Parallelism Tolerance (P)

unit:  $\mu\text{m}$

Size	Preload classes		
	Z0	ZA	ZB
QW27	25	20	-
QW35	30	22	20

Table 2-8-11 Max. Tolerance of Reference Surface Height ( $S_1$ )

unit:  $\mu\text{m}$

Size	Preload classes		
	Z0	ZA	ZB
QW27	130	85	-
QW35	130	85	70

### 2-8-9 Cautions for Installation

#### (1) Shoulder heights and chamfers

Improper shoulder heights and chamfers of mounting surfaces will cause deviations in accuracy and rail or block interference with the chamfered part.

When recommended shoulder heights and chamfers are used, problems with installation accuracy should be eliminated.

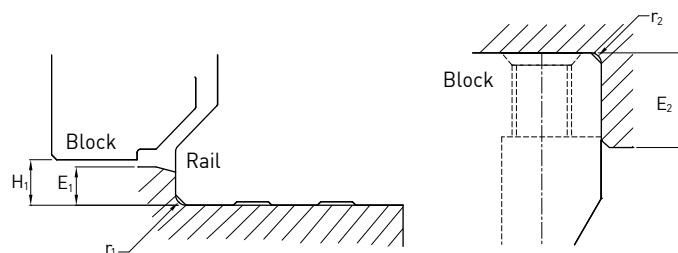


Table 2-8-12 Shoulder Heights and Chamfers

unit: mm

Size	Max. radius of fillets $r_1$ (mm)	Max. radius of fillets $r_2$ (mm)	Shoulder height of the rail $E_1$ (mm)	Shoulder height of the block $E_2$ (mm)	Clearance under block $H_1$ (mm)
QW27	0.5	0.4	2.5	7.0	4.0
QW35	0.5	0.5	2.5	10.0	4.0

## QW Series

### Wide Rail

#### (2) Tightening Torque of Bolts for Installation

Improperly tightened mounting bolts will seriously affect the accuracy of linear guide installations. The following tightening torques for different sizes of bolts are recommended.

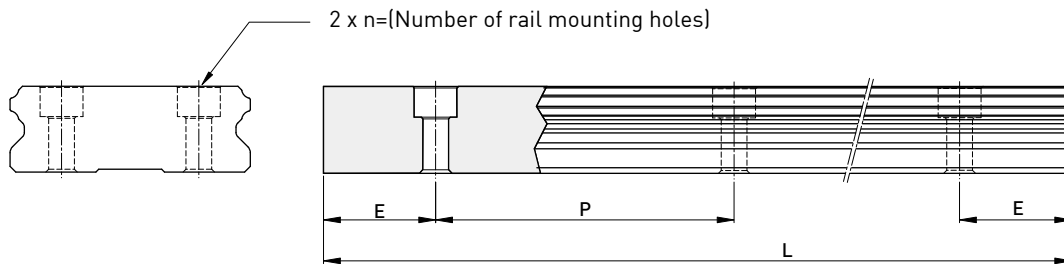
Table 2-8-13 Tightening Torque

Size	Bolt size	Torque N-cm(kgf-cm)		
		Iron	Casting	Aluminum
QW27	M4×0.7P×16L	392 (40)	274 (28)	206 (21)
QW35	M6×1P×20L	1373 (140)	921 (94)	686 (70)

Note: 1 kgf = 9.81 N

#### 2-8-10 Standard and Maximum Lengths of Rail

HIWIN offers a number of standard rail lengths. Standard rail lengths feature end mounting hole placements set to predetermined values (E). For non-standard rail lengths, be sure to specify the E-value to be no greater than 1/2 the pitch (P) dimension. An E-value greater than this will result in unstable rail ends.



$$L = (n - 1) \times P + 2 \times E \quad \text{Eq.2.3}$$

L : Total length of rail (mm)

n : Number of mounting holes

P : Distance between any two holes (mm)

E : Distance from the center of the last hole to the edge (mm)

Table 2-8-14 Rail Standard Length and Max. Length

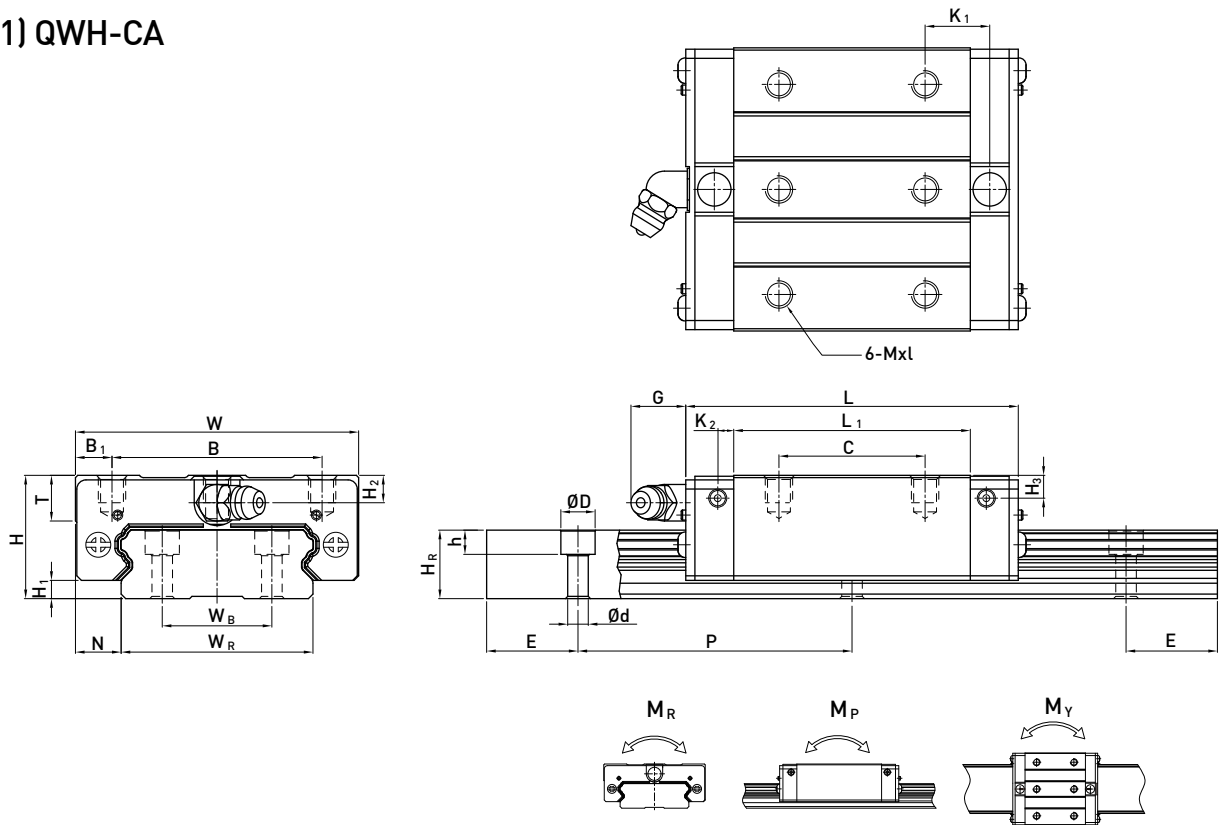
unit: mm

Item	QWR27	QWR35
Standard Length L(n)	220 (4)	280 (4)
	280 (5)	440 (6)
	340 (6)	600 (8)
	460 (8)	760 (10)
	640 (11)	1000 (13)
	820 (14)	1,640 (21)
	1,000 (17)	2,040 (26)
	1,240 (21)	2,520 (32)
	1,600 (27)	3,000 (38)
Pitch (P)	60	80
Distance to End (E <sub>s</sub> )	20	20
Max. Standard Length	4,000 (67)	3,960 (50)
Max. Length	4,000	4,000

Note : 1. Tolerance of E value for standard rail is 0.5--0.5 mm. Tolerance of E value for jointed rail is 0--0.3 mm.  
 2. Maximum standard length means the max. rail length with standard E value on both sides.  
 3. If different E value is needed, please contact HIWIN.

## 2-8-11 Dimensions for HIWIN QW Series

### (1) QWH-CA



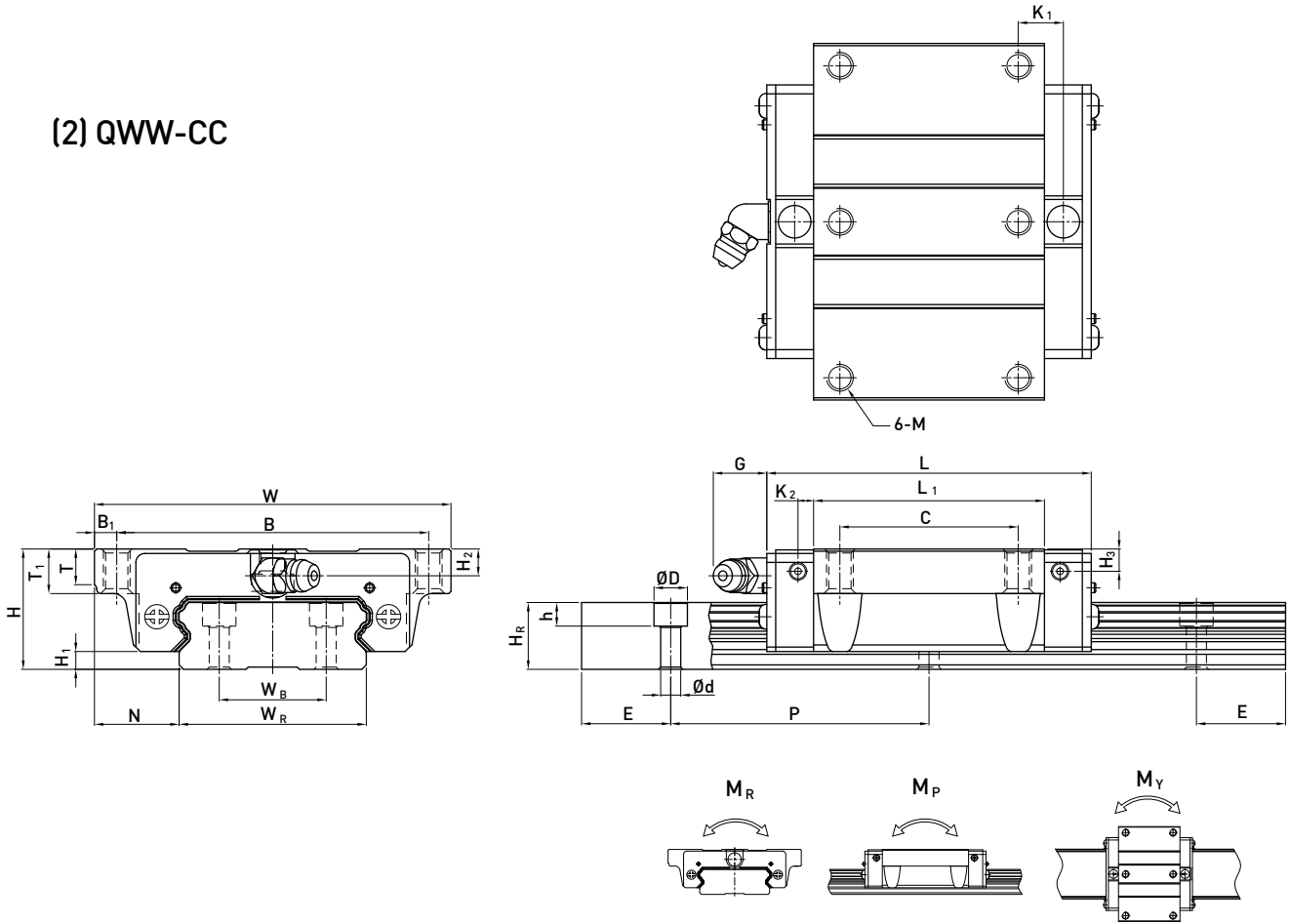
Model No.	Dimensions of Assembly (mm)		Dimensions of Block (mm)													Dimensions of Rail (mm)					Mounting Bolt for Rail (mm)	Basic Dynamic Load Rating C (kN)	Basic Static Load Rating C <sub>0</sub> (kN)	Static Rated Moment			Weight					
	H	H <sub>1</sub>	N	W	B	B <sub>1</sub>	C	L <sub>1</sub>	L	K <sub>1</sub>	K <sub>2</sub>	G	MxL	T	H <sub>2</sub>	H <sub>3</sub>	W <sub>R</sub>	W <sub>B</sub>	H <sub>R</sub>	D				h	d	P	E	M <sub>R</sub>	M <sub>P</sub>	M <sub>Y</sub>	Block	Rail
	kg	kg	kg	kg	kg	kg	kg	kg	kg	kg	kg	kg	kg	kg	kg	kg	kg	kg	kg	kg	kg	kg	kg	kg	kg	kg	kg	kg	kg	kg		
QWH27CA	27	4	10	62	46	8	32	56.6	73.2	15.45	3.15	12	M6x6	10	6	5	42	24	15	7.5	5.3	4.5	60	20	M4x16	16	22.2	0.42	0.20	0.20	0.35	4.7
QWH35CA	35	4	15.5	100	76	12	50	83	107	21.5	5.5	12	M8x8	13	8	6.5	69	40	19	11	9	7	80	20	M6x20	36.8	49.2	1.51	0.65	0.65	1.1	9.7

Note : 1 kgf = 9.81 N

# QW Series

Wide Rail

(2) QWW-CC



Model No.	Dimensions of Assembly (mm)			Dimensions of Block (mm)														Dimensions of Rail (mm)						Mounting Bolt for Rail (mm)	Basic Dynamic Load Rating C(kN)	Basic Static Load Rating C <sub>0</sub> (kN)	Static Rated Moment			Weight			
	H	H <sub>1</sub>	N	W	B	B <sub>1</sub>	C	L <sub>1</sub>	L	K <sub>1</sub>	K <sub>2</sub>	G	M	T	T <sub>1</sub>	H <sub>2</sub>	H <sub>3</sub>	W <sub>R</sub>	W <sub>B</sub>	H <sub>R</sub>	D	h	d				P	E	M <sub>R</sub>	M <sub>P</sub>	M <sub>Y</sub>	Block	Rail
	kg	kg	kg	kg	kg	kg	kg	kg	kg	kg	kg	kg	kg	kg	kg	kg	kg	kg	kg	kg	kg	kg	kg				kg	kg	kg	kg	kg	kg	kg
QWW27CC	27	4	19	80	70	5	40	56.6	73.2	15.45	3.15	12	M6	8	10	6	5	42	24	15	7.5	5.3	4.5	60	20	M4x16	16	22.2	0.42	0.20	0.20	0.43	4.7
QWW35CC	35	4	25.5	120	107	6.5	60	83	107	21.5	5.5	12	M8	11.2	14	8	6.5	69	40	19	11	9	7	80	20	M6x20	36.8	49.2	1.51	0.65	0.65	1.26	9.7

Note : 1 kgf = 9.81 N

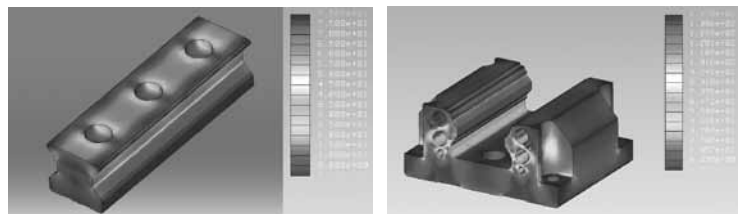
## 2-9 RG Series – High Rigidity Roller Type Linear Guideway

### 2-9-1 Advantages and features

The new RG series from Hiwin features a roller as the rolling element instead of steel balls. The roller series offers super high rigidity and very high load capacities. The RG series is designed with a 45-degree angle of contact. Elastic deformation of the linear contact surface, during load, is greatly reduced thereby offering greater rigidity and higher load capacities in all 4 load directions. The RG series linear guideway offers high performance for high-precision manufacturing and achieving longer service life.

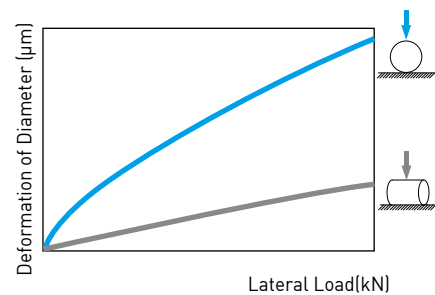
#### (1) Optimal design

FEM analysis was performed to determine the optimal structure of the block and the rail. The unique design of the circulation path allows the RG series linear guideway to offer smoother linear motion.



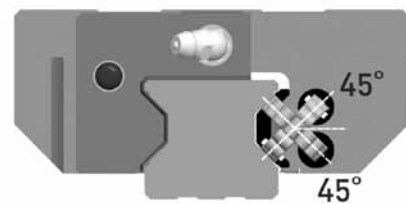
#### (2) Super high rigidity

The RG series is a type of linear guideway that uses rollers as the rolling elements. Rollers have a greater contact area than balls so that the roller guideway features higher load capacity and greater rigidity. The figure shows the rigidity of a roller and a ball with equal volume.



#### (3) Super high load capacity

With the four rows of rollers arranged at a contact angle of 45-degrees, the RG series linear guideway has equal load ratings in the radial, reverse radial and lateral directions. The RG series has a higher load capacity in a smaller size than conventional, ball-type linear guideways.



#### (4) Operating life increased

Compare with the ball element, the contact pressure of rolling element is distributed on the line region. Therefore, stress concentration was reduced significantly and the RG series offers longer running life. The nominal life of RG series can be calculated by using Eq.

The acting load will affect the nominal life of a linear guideway. Based on the selected basic dynamic rated load and the actual load. The nominal life of ball type and roller type linear guideway can be calculated by Eq.2.5 respectively.

$$L = \left( \frac{C}{P} \right)^{\frac{10}{3}} \cdot 100\text{km} = \left( \frac{C}{P} \right)^{\frac{10}{3}} \cdot 62\text{mile} \dots\dots\dots \text{Eq. 2.5}$$

If the environmental factors are taken into consideration, the nominal life is influenced greatly by the motion conditions, the hardness of the raceway, and the temperature of the linear guideway. The relationship between these factors is expressed in Eq.2.6.

$$L = \left( \frac{f_h \cdot f_t \cdot C}{f_w \cdot P} \right)^{\frac{10}{3}} \cdot 100\text{km} = \left( \frac{f_h \cdot f_t \cdot C}{f_w \cdot P} \right)^{\frac{10}{3}} \cdot 62\text{mile} \dots\dots\dots \text{Eq. 2.6}$$

L : Nominal life  
 C : Basic dynamic load rating  
 P : Actual load  
 f<sub>h</sub> : Hardness factor  
 f<sub>t</sub> : Temperature factor  
 f<sub>w</sub> : Load factor



## RG Series

### High Rigidity Roller Type

(5) Test Data  
1. Nominal life test

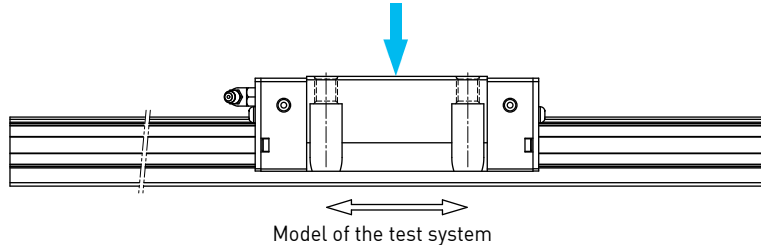




Table 2-9-1

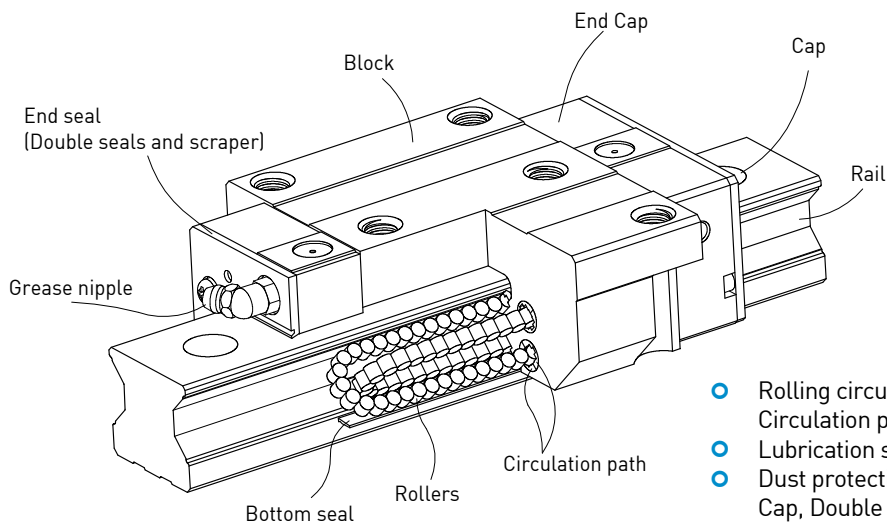
<p><b>Tested model 1: RGH35CA</b>                  Preload: ZA class                  Max. Speed: 60m/min                  Acceleration: 1G                  Stroke: 0.55m                  Lubrication: grease held every 100km                  External load: 15kN                  Traveling distance: 1135km</p>	<p><b>Test results:</b>                  The nominal life of RGH35CA is 1000km.                  After traveling 1135km, fatigue flaking did not appear on the surface of the raceway or rollers.</p> 
---	---

2. Durability Test

<p><b>Tested model 2: RGW35CC</b>                  Preload: ZA class                  Max. Speed: 120m/min                  Acceleration: 1G                  Stroke: 2m                  Lubrication: oil feed rate: 0.3cm<sup>3</sup>/hr                  External load: 0kN                  Traveling distance: 15000km</p>	<p><b>Test results:</b>                  Fatigue flaking did not appear on the surface of the raceway or rollers after traveling 15000km.</p> 
---	--

Note: The data listed are from samples.

### 2-9-2 Construction of RG Series

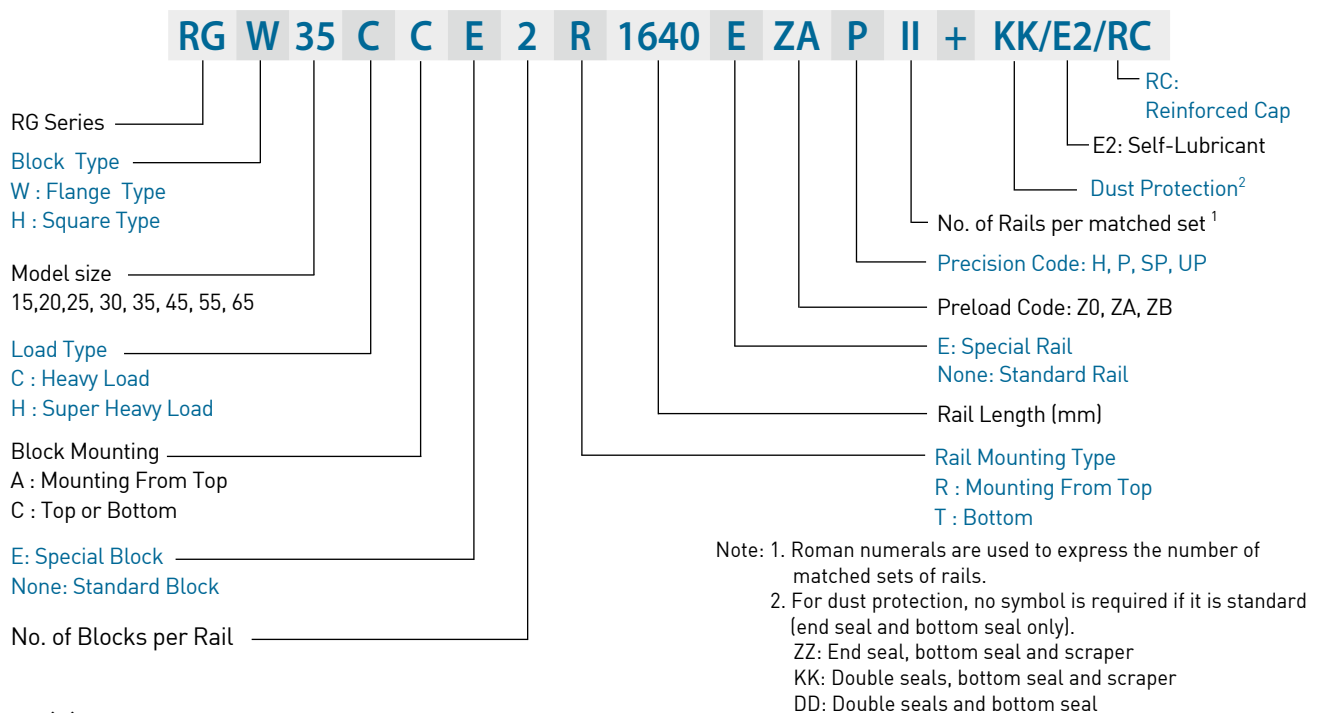


- Rolling circulation system: Block, Rail, End cap, Circulation path, rollers
- Lubrication system: Grease nipple and piping joint
- Dust protection system: End seal, Bottom seal, Cap, Double seals and Scraper

## 2-9-3 Model Number of RG series

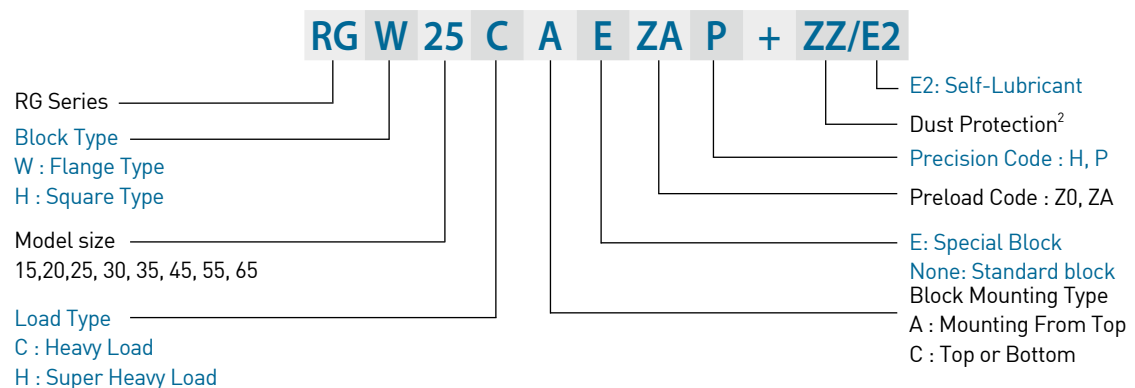
RG series linear guideways are classified into non-interchangeable and interchangeable types. The sizes of these two types are the same as one another. The main difference is that the interchangeable type of blocks and rails can be freely exchanged and they can maintain P-class accuracy. Because of strict dimensional control, the interchangeable type linear guideways are a wise choice for customers when rails do not need to be matched for an axis. The model number of the RG series identifies the size, type, accuracy class, preload class, etc.

### (1) Non-interchangeable type

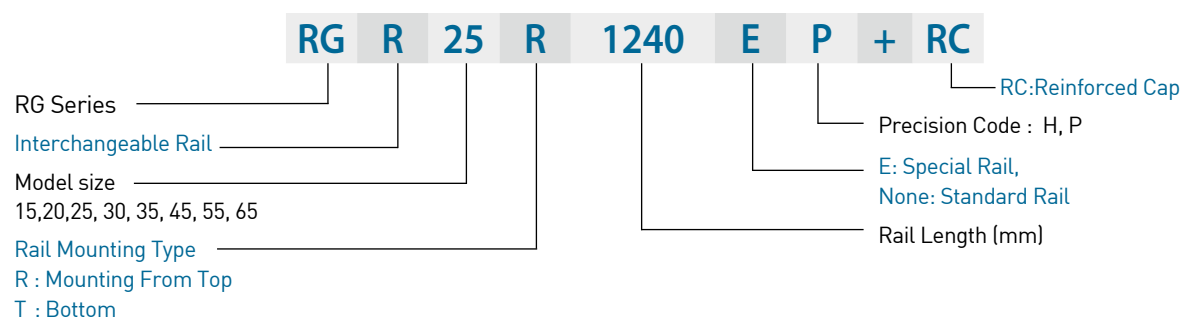


### (2) Interchangeable type

#### ○ Model Number of RG Block



#### ○ Model Number of RG Rail



## RG Series

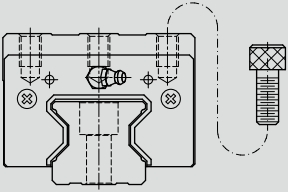
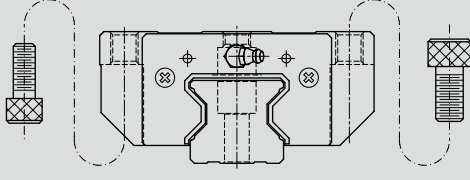
### High Rigidity Roller Type

#### 2-9-4 Types

##### (1) Block types

HIWIN offers two types of guide blocks, flange and square type. Because of the low assembly height and large mounting surface, the flange type is excellent for heavy moment load applications.

Table 2-9-2 Block Types

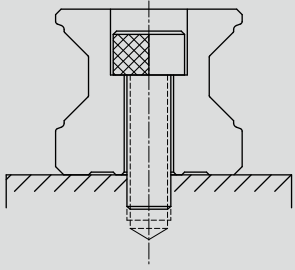
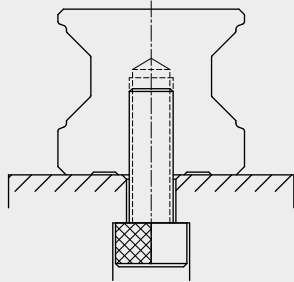
Type	Model	Shape	Height (mm)	Rail Length (mm)	Main Applications
Square	RGH-CA RGH-HA		28	100	<ul style="list-style-type: none"> <li>○ Automation Systems</li> <li>○ Transportation equipment</li> <li>○ CNC machining centers</li> <li>○ Heavy duty cutting machines</li> <li>○ CNC grinding machines</li> <li>○ Injection molding machines</li> <li>○ Plano millers</li> <li>○ Devices requiring high rigidity</li> <li>○ Devices requiring high load capacity</li> <li>○ Electric discharge machines</li> </ul>
			↓	↓	
90	4000				
↓	↓				
Flange	RGW-CC RGW-HC		24	100	
			↓	↓	
90	4000				
↓	↓				

\*Please refer to the chapter 2-9-13 for the dimensional detail.

##### (2) Rail types

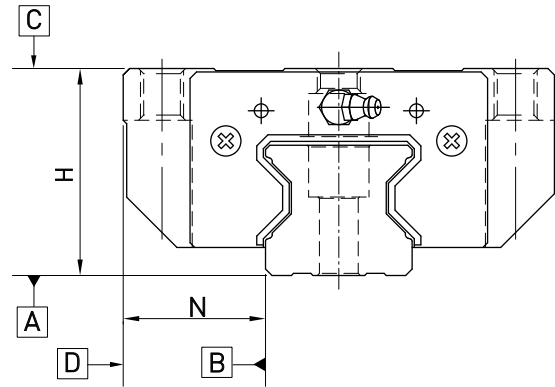
In addition to the standard top mounting type, HIWIN also offers the bottom mounting type of rails.

Table 2-9-3 Rail Types

Mounting from Top	Mounting from Bottom
	

## 2-9-5 Accuracy Classes

The accuracy of the RG series can be classified into four classes: high (H), precision (P), super precision (SP) and ultra precision (UP). Customers may choose the class by referencing the accuracy requirements of the applied equipment.



### (1) Accuracy of non-interchangeable

Table 2-9-4 Accuracy Standards

Unit: mm

Item	RG - 15, 20			
	High (H)	Precision (P)	Super Precision (SP)	Ultra Precision (UP)
Dimensional tolerance of height H	± 0.03	0 - 0.03	0 - 0.015	0 - 0.008
Dimensional tolerance of width N	± 0.03	0 - 0.03	0 - 0.015	0 - 0.008
Variation of height H	0.01	0.006	0.004	0.003
Variation of width N	0.01	0.006	0.004	0.003
Running parallelism of block surface C to surface A	See Table 2-9-12			
Running parallelism of block surface D to surface B	See Table 2-9-12			

Table 2-9-5 Accuracy Standards

Unit: mm

Item	RG - 25, 30, 35			
	High (H)	Precision (P)	Super Precision (SP)	Ultra Precision (UP)
Dimensional tolerance of height H	± 0.04	0 - 0.04	0 - 0.02	0 - 0.01
Dimensional tolerance of width N	± 0.04	0 - 0.04	0 - 0.02	0 - 0.01
Variation of height H	0.015	0.007	0.005	0.003
Variation of width N	0.015	0.007	0.005	0.003
Running parallelism of block surface C to surface A	See Table 2-9-12			
Running parallelism of block surface D to surface B	See Table 2-9-12			

Table 2-9-6 Accuracy Standards

Unit: mm

Item	RG - 45, 55			
	High (H)	Precision (P)	Super Precision (SP)	Ultra Precision (UP)
Dimensional tolerance of height H	± 0.05	0 - 0.05	0 - 0.03	0 - 0.02
Dimensional tolerance of width N	± 0.05	0 - 0.05	0 - 0.03	0 - 0.02
Variation of height H	0.015	0.007	0.005	0.003
Variation of width N	0.02	0.01	0.007	0.005
Running parallelism of block surface C to surface A	See Table 2-9-12			
Running parallelism of block surface D to surface B	See Table 2-9-12			

## RG Series

### High Rigidity Roller Type

Table 2-9-7 Accuracy Standards

Unit: mm

Item	RG - 65			
	High (H)	Precision (P)	Super Precision (SP)	Ultra Precision (UP)
Dimensional tolerance of height H	± 0.07	0 - 0.07	0 - 0.05	0 - 0.03
Dimensional tolerance of width N	± 0.07	0 - 0.07	0 - 0.05	0 - 0.03
Variation of height H	0.02	0.01	0.007	0.005
Variation of width N	0.025	0.015	0.01	0.007
Running parallelism of block surface C to surface A	See Table 2-9-12			
Running parallelism of block surface D to surface B	See Table 2-9-12			

#### (2) Accuracy of interchangeable

Table 2-9-8 Accuracy Standards

Unit: mm

Item	RG - 15, 20	
	High (H)	Precision (P)
Dimensional tolerance of height H	± 0.03	± 0.015
Dimensional tolerance of width N	± 0.03	± 0.015
Variation of height H	0.01	0.006
Variation of width N	0.01	0.006
Running parallelism of block surface C to surface A	See Table 2-9-12	
Running parallelism of block surface D to surface B	See Table 2-9-12	

Table 2-9-9 Accuracy Standards

Unit: mm

Item	RG - 25, 30, 35	
	High (H)	Precision (P)
Dimensional tolerance of height H	± 0.04	± 0.02
Dimensional tolerance of width N	± 0.04	± 0.02
Variation of height H	0.015	0.007
Variation of width N	0.015	0.007
Running parallelism of block surface C to surface A	See Table 2-9-12	
Running parallelism of block surface D to surface B	See Table 2-9-12	

Table 2-9-10 Accuracy Standards

Unit: mm

Item	RG - 45, 55	
	High (H)	Precision (P)
Dimensional tolerance of height H	± 0.05	± 0.025
Dimensional tolerance of width N	± 0.05	± 0.025
Variation of height H	0.015	0.007
Variation of width N	0.02	0.01
Running parallelism of block surface C to surface A	See Table 2-9-12	
Running parallelism of block surface D to surface B	See Table 2-9-12	

Table 2-9-11 Accuracy Standards

Unit: mm

Item	RG - 65	
	High (H)	Precision (P)
Dimensional tolerance of height H	± 0.07	± 0.035
Dimensional tolerance of width N	± 0.07	± 0.035
Variation of height H	0.02	0.01
Variation of width N	0.025	0.015
Running parallelism of block surface C to surface A	See Table 2-9-12	
Running parallelism of block surface D to surface B	See Table 2-9-12	

### (3) Accuracy of running parallelism

Table 2-9-12 Accuracy of Running Parallelism

Rail Length (mm)	Accuracy (µm)			
	H	P	SP	UP
~ 100	7	3	2	2
100 ~ 200	9	4	2	2
200 ~ 300	10	5	3	2
300 ~ 500	12	6	3	2
500 ~ 700	13	7	4	2
700 ~ 900	15	8	5	3
900 ~ 1,100	16	9	6	3
1,100 ~ 1,500	18	11	7	4
1,500 ~ 1,900	20	13	8	4
1,900 ~ 2,500	22	15	10	5
2,500 ~ 3,100	25	18	11	6
3,100 ~ 3,600	27	20	14	7
3,600 ~ 4,000	28	21	15	7

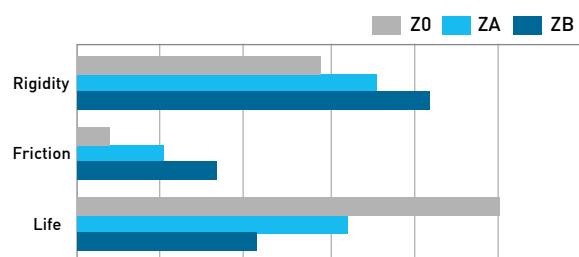
## 2-9-6 Preload

A preload can be applied to each guideway using oversized rollers. Generally, a linear motion guideway has negative clearance between the raceway and rollers to improve stiffness and maintain high precision. The RG series linear guideway offers three standard preloads for various applications and conditions.

Table 2-9-13

Class	Code	Preload	Condition
Light Preload	Z0	0.02C~0.04C	Certain load direction, low impact, low precision required
Medium Preload	ZA	0.07C~0.09C	High rigidity required, high precision required
Heavy Preload	ZB	0.12C~0.14C	Super high rigidity required, with vibration and impact

The figure shows the relationship between the rigidity, friction and nominal life. A preload no larger than ZA would be recommended for smaller model sizes to avoid over-preload affecting the life of the guideway.



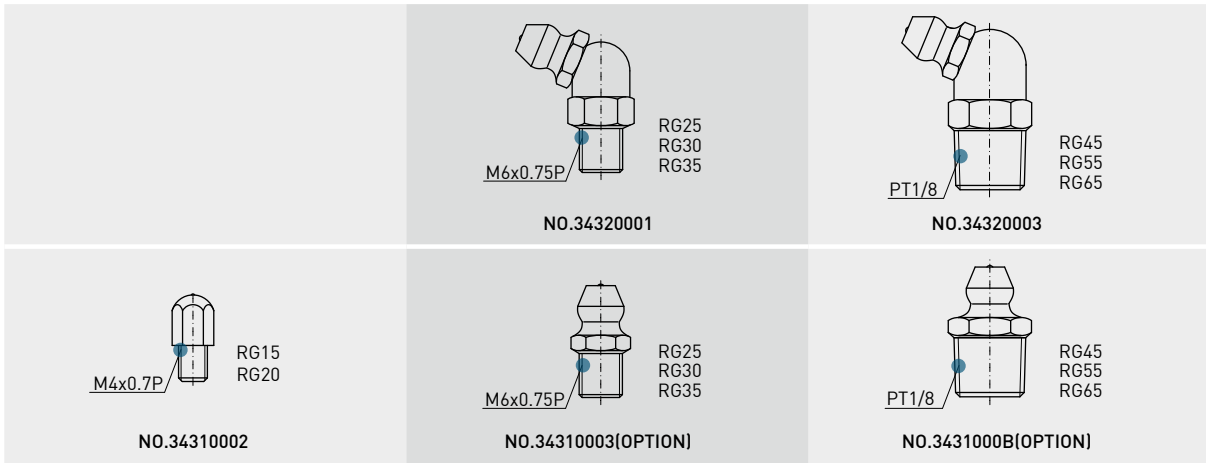
## RG Series

### High Rigidity Roller Type

#### 2-9-7 Lubrication

##### (1) Grease

##### ○ Grease nipple



##### ○ Mounting location

The standard location of the grease fitting is at both ends of the block, but the nipple can be mounted in the side or the top of block. For lateral installation, we recommend that the nipple be mounted at the non-reference side, otherwise please contact us. It is possible to carry out the lubrication by using an oil-piping joint. The figure shows the locations of the grease fitting.

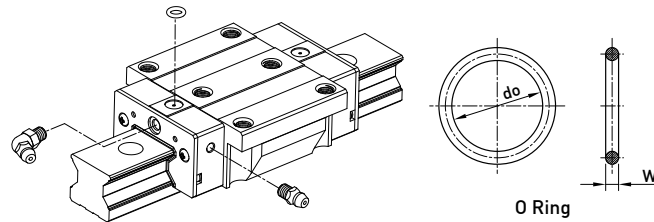


Table 2-9-14 O-Ring size and max. permissible depth for piercing

Size	O-Ring		Lube hole at top: max. permissible depth for piercing
	do (mm)	W (mm)	T <sub>max</sub> (mm)
RG15	2.5±0.15	1.5±0.15	3.45
RG20	2.5±0.15	1.5±0.15	4
RG25	7.5±0.15	1.5±0.15	5.8
RG30	7.5±0.15	1.5±0.15	6.2
RG35	7.5±0.15	1.5±0.15	8.65
RG45	7.5±0.15	1.5±0.15	9.5
RG55	7.5±0.15	1.5±0.15	11.6
RG65	7.5±0.15	1.5±0.15	14.5

##### ○ The oil amount for a block filled with grease

Table 2-9-15 The oil amount for a block filled with grease

Size	Medium Load(cm <sup>3</sup> )	Heavy Load(cm <sup>3</sup> )	Size	Medium Load(cm <sup>3</sup> )	Heavy Load(cm <sup>3</sup> )
RG15	3	-	RG35	12	14
RG20	5	6	RG45	19	23
RG25	7	8	RG55	28	35
RG30	9	10	RG65	52	63

##### ○ Frequency of replenishment

Check the grease every 100 km, or every 3-6 months.

(2) Oil

The recommended viscosity of oil is about 32~150cSt. If you need to use oil-type lubrication, please inform us.

○ Types of oil piping joint

<p>LF-64</p> <p>NO.97000EA1</p> <p>RG15 RG20</p>	<p>LF-76</p> <p>NO.970002A1</p> <p>RG25 RG30 RG35</p>	<p>LF-78</p> <p>NO.970006A1</p> <p>RG45 RG55 RG65</p>
	<p>LF-86</p> <p>NO.970004A1</p> <p>RG25 RG30 RG35</p>	<p>LF-88</p> <p>NO.970008A1</p> <p>RG45 RG55 RG65</p>
	<p>SF-76</p> <p>NO.970001A1</p> <p>RG25 RG30 RG35</p>	<p>SF-78</p> <p>NO.970005A1</p> <p>RG45 RG55 RG65</p>
	<p>SF-86</p> <p>NO.970003A1</p> <p>RG25 RG30 RG35</p>	<p>SF-88</p> <p>NO.970007A1</p> <p>RG45 RG55 RG65</p>



# RG Series

## High Rigidity Roller Type

Oil feeding rate

Table 2-9-16 oil feed rate

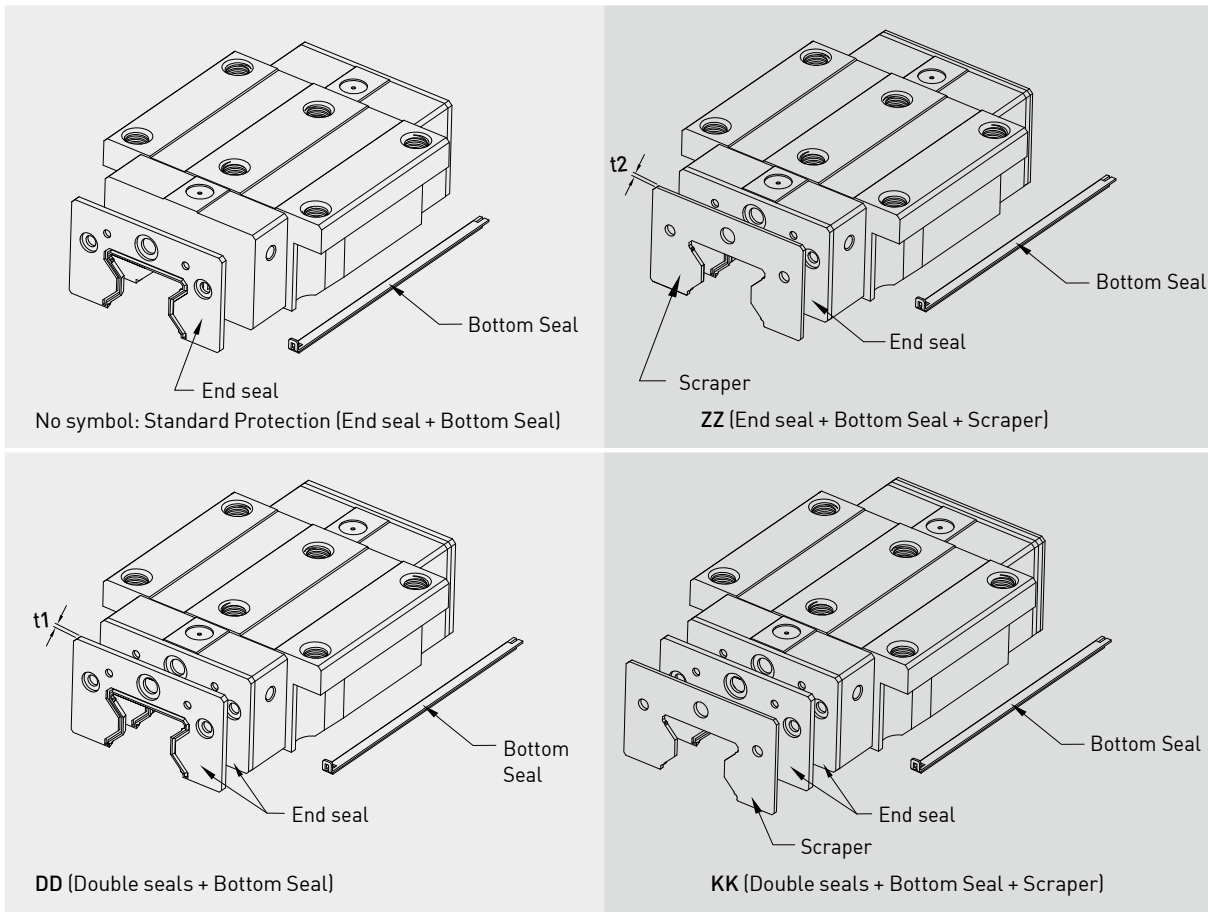
Size	Feed rate (cm <sup>3</sup> /hr)
RG15	0.14
RG20	0.14
RG25	0.167
RG30	0.2
RG35	0.23
RG45	0.3
RG55	0.367
RG65	0.433

### 2-9-8 Dust Proof Accessories

(1) Codes of accessories

If the following accessories are needed, please add the code followed by the model number.

Table 2-9-17



**(2) End seal and bottom seal**

To prevent life reduction caused by iron chips or dust entering the block.

**(3) Double seals**

Enhances the wiping effect, foreign matter can be completely wiped off.

Table 2-9-18 Dimensions of end seal

Size	Thickness (t1) (mm)	Size	Thickness (t1) (mm)
RG15 ES	2.2	RG35 ES	2.5
RG20 ES	2.2	RG45 ES	3.6
RG25 ES	2.2	RG55 ES	3.6
RG30 ES	2.4	RG65 ES	4.4

**(4) Scraper**

The scraper removes high-temperature iron chips and larger foreign objects.

Table 2-9-19 Dimensions of scraper

Size	Thickness (t2) (mm)	Size	Thickness (t2) (mm)
RG15 SC	1.0	RG35 SC	1.5
RG20 SC	1.0	RG45 SC	1.5
RG25 SC	1.0	RG55 SC	1.5
RG30 SC	1.5	RG65 SC	1.5

**(5) Bolt caps for rail mounting holes**

Caps are used to cover the mounting holes to prevent chips or other foreign objects from collecting in the holes. The caps will be enclosed in each rail package.

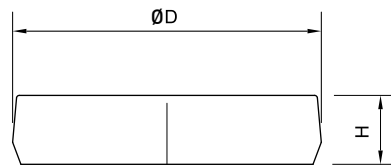


Table 2-9-20 Dimensions of Bolt Caps for Rail Mounting Holes

Rail size	Bolt size	Diameter(D) (mm)	Thickness(H) (mm)	Rail size	Bolt size	Diameter(D) (mm)	Thickness(H) (mm)
RGR15	M4	7.65	1.1	RGR35	M8	14.3	3.3
RGR20	M5	9.65	2.2	RGR45	M12	20.3	4.6
RGR25	M6	11.3	2.5	RGR55	M14	23.5	5.5
RGR30	M8	14.3	3.3	RGR65	M16	26.6	5.5

## RG Series

### High Rigidity Roller Type

#### (6) Dimensions of block equipped with the dustproof parts

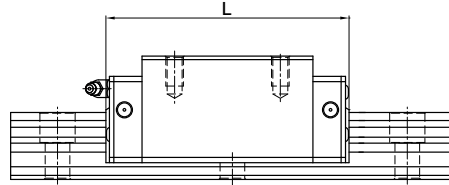


Table 2-9-21 Overall block length

unit: mm

Size	Overall block length (L)			
	SS	ZZ	DD	KK
RG15C	68	70	72.4	74.4
RG20C	86	88	90.4	92.4
RG20H	106	108	110.4	112.4
RG25C	97.9	99.9	102.3	104.3
RG25H	114.4	116.4	118.8	120.8
RG30C	109.8	112.8	114.6	117.6
RG30H	131.8	134.8	136.6	139.6
RG35C	124	127	129	132
RG35H	151.5	154.5	156.5	159.5
RG45C	153.2	156.2	160.4	163.4
RG45H	187	190	194.2	197.2
RG55C	183.7	186.7	190.9	193.9
RG55H	232	235	239.2	242.2
RG65C	232	235	240.8	243.8
RG65H	295	298	303.8	306.8

## 2-9-9 Friction

The maximum value of resistance per end seal are as shown in the table.

Table 2-9-22 Seal Resistance

Size	Resistance N (kgf)	Size	Resistance N (kgf)
RG15	1.96 [0.2]	RG35	3.53 [0.36]
RG20	2.45 [0.25]	RG45	4.21 [0.43]
RG25	2.74 [0.28]	RG55	5.09 [0.52]
RG30	3.31 [0.31]	RG65	6.66 [0.68]

## 2-9-10 The Accuracy Tolerance of Mounting Surface

### (1) The accuracy tolerance of rail-mounting surface

As long as the accuracy requirements of the mounting surfaces shown in the following tables are met, the high accuracy, high rigidity and long life of the RG series linear guideway will be maintained without any difficulty.

- The parallelism tolerance of reference surface (P)

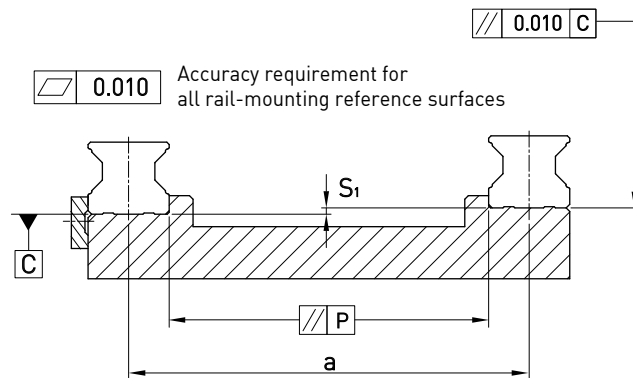


Table 2-9-23 Max. Parallelism Tolerance (P)

unit:  $\mu\text{m}$

Size	Preload classes		
	Light Preload (Z0)	Medium Preload (ZA)	Heavy Preload (ZB)
RG15	5	3	3
RG20	8	6	4
RG25	9	7	5
RG30	11	8	6
RG35	14	10	7
RG45	17	13	9
RG55	21	14	11
RG65	27	18	14

- The accuracy tolerance of reference surface height ( $S_1$ )

$$S_1 = a \times K$$

$S_1$  : Max. tolerance of height

$a$  : Distance between paired rails

$K$  : Coefficient of tolerance of height

Table 2-9-24 Coefficient of tolerance of height

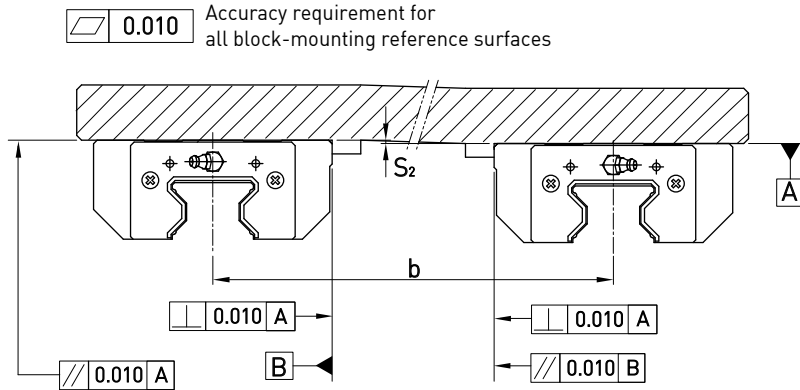
Size	Preload classes		
	Light Preload (Z0)	Medium Preload (ZA)	Heavy Preload (ZB)
K	$2.2 \times 10^{-4}$	$1.7 \times 10^{-4}$	$1.2 \times 10^{-4}$

## RG Series

### High Rigidity Roller Type

#### (2) The accuracy tolerance of block-mounting surface

- The tolerance of the height of reference surface when two or more pieces are used in parallel ( $S_2$ )

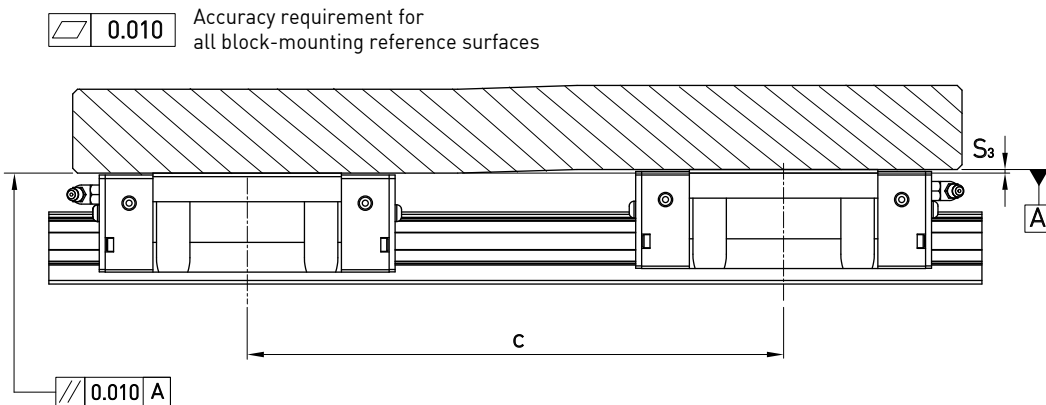


$$S_2 = b \times 4.2 \times 10^{-5}$$

$S_2$  : Max. tolerance of height

$b$  : Distance between paired blocks

- The tolerance of the height of reference surface when two or more pieces are used in parallel ( $S_3$ )



$$S_3 = c \times 4.2 \times 10^{-5}$$

$S_3$  : Max. tolerance of height

$c$  : Distance between paired blocks

## 2-9-11 Cautions for Installation

### (1) Shoulder heights and fillets

Improper shoulder heights and fillets of mounting surfaces will cause a deviation in accuracy and interference with the chamfered part of the rail or block.

By following the recommended shoulder heights and fillets, accuracy problems in installation can be eliminated.

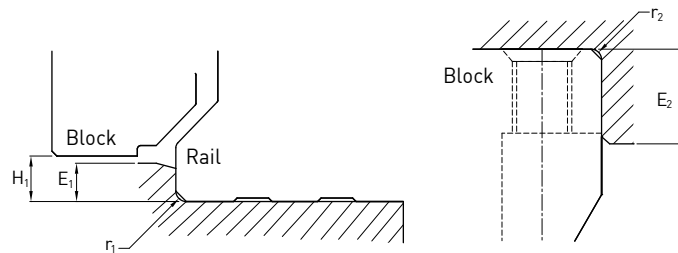


Table 2-9-25

Size	Max. radius of fillets $r_1$ (mm)	Max. radius of fillets $r_2$ (mm)	Shoulder height of the rail $E_1$ (mm)	Shoulder height of the block $E_2$ (mm)	Clearance under block $H_1$ (mm)
RG15	0.5	0.5	3	4	4
RG20	0.5	0.5	3.5	5	5
RG25	1.0	1.0	5	5	5.5
RG30	1.0	1.0	5	5	6
RG35	1.0	1.0	6	6	6.5
RG45	1.0	1.0	7	8	8
RG55	1.5	1.5	9	10	10
RG65	1.5	1.5	10	10	12

### (2) Tightening Torque of Mounting Bolts

Improper tightening of mounting bolts will seriously influence the accuracy of a linear guideway. The following tightening torque for the different sizes of bolt is recommended.

Table 2-9-26

Size	Bolt size	Torque N-cm(kgf-cm)		
		Iron	Casting	Aluminum
RG15	M4×0.7P×16L	392 (40)	274 (28)	206 (21)
RG20	M5×0.8P×20L	883 (90)	588 (60)	441 (45)
RG25	M6×1P×20L	1373 (140)	921 (94)	686 (70)
RG30	M8×1.25P×25L	3041 (310)	2010 (205)	1470 (150)
RG35	M8×1.25P×25L	3041 (310)	2010 (205)	1470 (150)
RG45	M12×1.75P×35L	11772 (1200)	7840 (800)	5880 (600)
RG55	M14×2P×45L	15696 (1600)	10500 (1100)	7840 (800)
RG65	M16×2P×50L	19620 (2000)	13100 (1350)	9800 (1000)

## RG Series

### High Rigidity Roller Type

#### 2-9-12 Standard and Maximum Lengths of Rail

HIWIN offers a number of standard rail lengths. Standard rail lengths feature end mounting hole placements set to predetermined values (E). For non-standard rail lengths, be sure to specify the E-value to be no greater than 1/2 the pitch (P) dimension. An E-value greater than this will result in unstable rail ends.

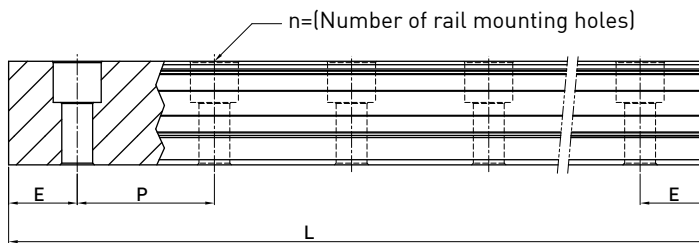


Table 2-9-27

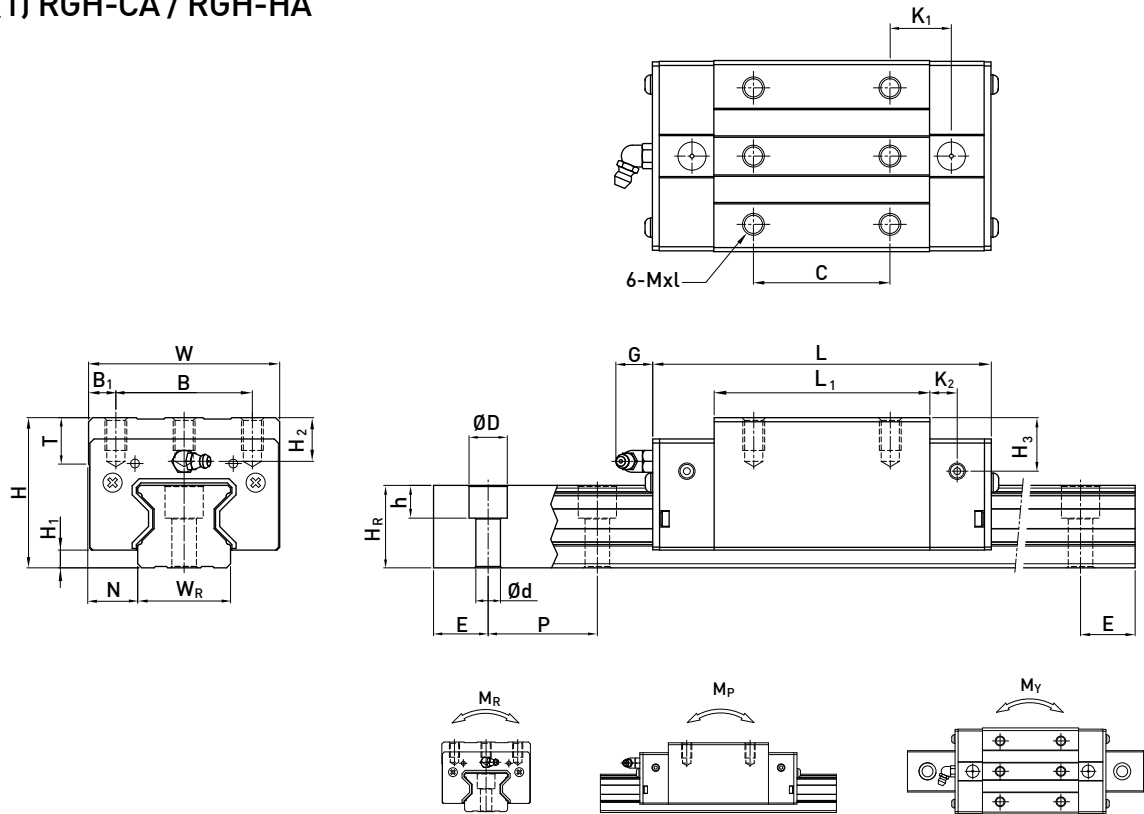
unit: mm

Item	RGR15	RGR20	RGR25	RGR30	RGR35	RGR45	RGR55	RGR65
Standard Length L(n)	160 (5)	220 (7)	220 (7)	280 (7)	280 (7)	570 (11)	780 (13)	1,270 (17)
	220 (7)	280 (9)	280 (9)	440 (11)	440 (11)	885 (17)	1020 (17)	1,570 (21)
	340 (11)	340 (11)	340 (11)	600 (15)	600 (15)	1,200 (23)	1,260 (21)	2,020 (27)
	460 (15)	460 (15)	460 (15)	760 (19)	760 (19)	1,620 (31)	1,500 (25)	2,620 (35)
	580 (19)	640 (21)	640 (21)	1,000 (25)	1,000 (25)	2,040 (39)	1,980 (33)	-
	700 (23)	820 (27)	820 (27)	1,640 (41)	1,640 (41)	2,460 (47)	2,580 (43)	-
	940 (31)	1000 (33)	1,000 (33)	2,040 (51)	2,040 (51)	2,985 (57)	2,940 (49)	-
	1120 (37)	1180 (39)	1,240 (41)	2,520 (63)	2,520 (63)	3,090 (59)	3,060 (51)	-
	1360 (45)	1360 (45)	1,600 (53)	3,000 (75)	3,000 (75)	-	-	-
Pitch (P)	30	30	30	40	40	52.5	60	75
Distance to End (E <sub>e</sub> )	20	20	20	20	20	22.5	30	35
Max. Standard Length	4,000 (133)	4,000 (133)	4,000 (133)	4,000 (100)	4,000 (100)	3,982.5 (76)	3,960 (66)	3,970 (53)
Max. Length	4,000	4,000	4,000	4,000	4,000	4,000	4,000	4,000

- Note :
1. Tolerance of E value for standard rail is 0.5~-0.5 mm. Tolerance of E value for jointed rail is 0~-0.3 mm.
  2. Maximum standard length means the max. rail length with standard E value on both sides.
  3. If different E value is needed, please contact HIWIN.

## 2-9-13 Dimensions for RG series

### (1) RGH-CA / RGH-HA



Model No.	Dimensions of Assembly (mm)			Dimensions of Block (mm)										Dimensions of Rail (mm)						Mounting Bolt for Rail (mm)	Basic Dynamic Load Rating C(kN)	Basic Static Load Rating C <sub>0</sub> (kN)	Static Rated Moment			Weight							
	H	H <sub>1</sub>	N	W	B	B <sub>1</sub>	C	L <sub>1</sub>	L	K <sub>1</sub>	K <sub>2</sub>	G	Mxl	T	H <sub>2</sub>	H <sub>3</sub>	W <sub>R</sub>	H <sub>R</sub>	D				h	d	P	E	M <sub>R</sub>	M <sub>P</sub>	M <sub>Y</sub>	Block	Rail		
	kgf	mm	mm	mm	mm	mm	mm	mm	mm	mm	mm	mm	mm	mm	mm	mm	mm	mm	mm				mm	mm	mm	mm	mm	mm	mm	mm	mm	mm	
RGH15CA	28	4	9.5	34	26	4	26	45	68	13.4	4.7	5.3	M4 x 8	6	7.6	10.1	15	16.5	7.5	5.7	4.5	30	20	M4 x 16	11.3	24	0.311	0.173	0.173	0.20	1.70		
RGH20CA	34	5	12	44	32	6	36	57.5	86	15.8	6	5.3	M5 x 8	8	8.3	8.3	20	21	9.5	8.5	6	30	20	M5 x 20	21.3	46.7	0.647	0.46	0.46	0.40	2.66		
RGH20HA							50	77.5	106	18.8																							
RGH25CA	40	5.5	12.5	48	35	6.5	35	64.5	97.9	20.75	7.25	12	M6 x 8	9.5	10.2	10	23	23.6	11	9	7	30	20	M6 x 20	27.7	57.1	0.758	0.605	0.605	0.61	3.08		
RGH25HA							50	81	114.4	21.5																							
RGH30CA	45	6	16	60	40	10	40	71	109.8	23.5	8	12	M8 x 10	9.5	9.5	10.3	28	28	14	12	9	40	20	M8 x 25	39.1	82.1	1.445	1.06	1.06	0.90	4.41		
RGH30HA							60	93	131.8	24.5																							
RGH35CA	55	6.5	18	70	50	10	50	79	124	22.5	10	12	M8 x 12	12	16	19.6	34	30.2	14	12	9	40	20	M8 x 25	57.9	105.2	2.17	1.44	1.44	1.57	6.06		
RGH35HA							72	106.5	151.5	25.25																							
RGH45CA	70	8	20.5	86	60	13	60	106	153.2	31	10	12.9	M10 x 17	16	20	24	45	38	20	17	14	52.5	22.5	M12 x 35	92.6	178.8	4.52	3.05	3.05	3.18	9.97		
RGH45HA							80	139.8	187	37.9																							
RGH55CA	80	10	23.5	100	75	12.5	75	125.5	183.7	37.75	12.5	12.9	M12 x 18	17.5	22	27.5	53	44	23	20	16	60	30	M14 x 45	130.5	252	8.01	5.4	5.4	4.89	13.98		
RGH55HA							95	173.8	232	51.9																							
RGH65CA	90	12	31.5	126	76	25	70	160	232	60.8	15.8	12.9	M16 x 20	25	15	15	63	53	26	22	18	75	35	M16 x 50	213	411.6	16.20	11.59	11.59	8.89	20.22		
RGH65HA							120	223	295	67.3																							

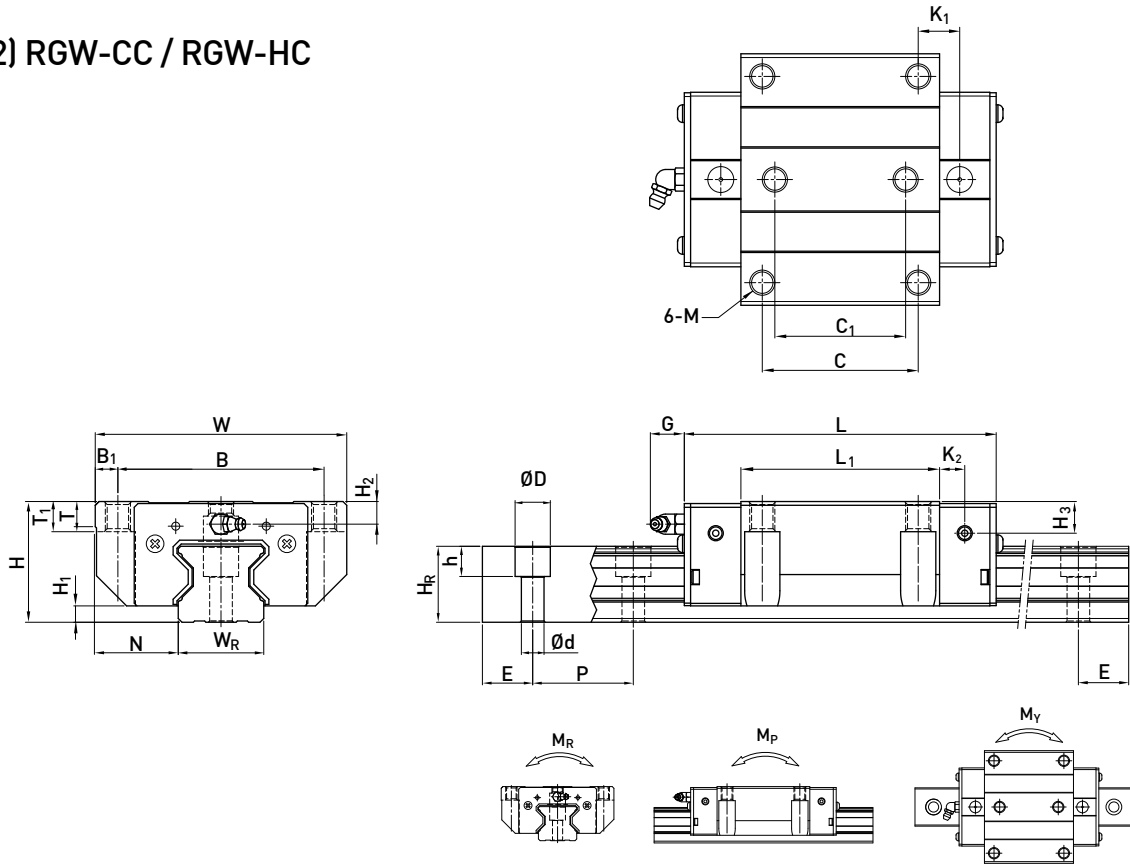
Note : 1 kgf = 9.81 N



# RG Series

## High Rigidity Roller Type

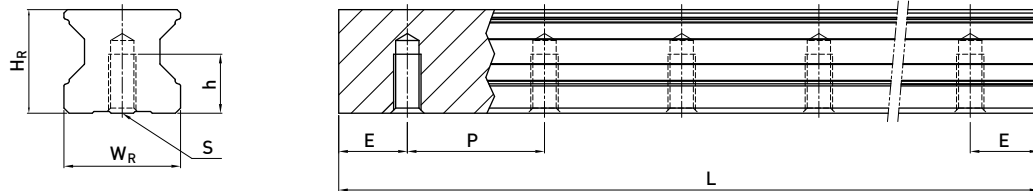
### (2) RGW-CC / RGW-HC



Model No.	Dimensions of Assembly (mm)			Dimensions of Block (mm)													Dimensions of Rail (mm)				Mounting Bolt for Rail (mm)	Basic Dynamic Load Rating C <sub>0</sub> (kN)	Basic Static Load Rating C <sub>0</sub> (kN)	Static Rated Moment			Weight						
	H	H <sub>1</sub>	N	W	B	B <sub>1</sub>	C	C <sub>1</sub>	L <sub>1</sub>	L	K <sub>1</sub>	K <sub>2</sub>	G	M	T	T <sub>1</sub>	H <sub>2</sub>	H <sub>3</sub>	W <sub>R</sub>	H <sub>R</sub>				D	h	d	P	E	M <sub>R</sub>	M <sub>P</sub>	M <sub>Y</sub>	Block kg	Rail kg/m
RGW15CC	24	4	16	47	38	4.5	30	26	45	68	11.4	4.7	5.3	M5	6	6.95	3.6	6.1	15	16.5	7.5	5.7	4.5	30	20	M4x16	11.3	24	0.311	0.173	0.173	0.22	1.70
RGW20CC	30	5	21.5	63	53	5	40	35	57.5	86	13.8	6	5.3	M6	8	10	4.3	4.3	20	21	9.5	8.5	6	30	20	M5x20	21.3	46.7	0.647	0.46	0.46	0.47	2.66
RGW20HC									77.5	106	23.8																7.25	12	M8	9.5	10	6.2	
RGW25CC	36	5.5	23.5	70	57	6.5	45	40	64.5	97.9	15.75	7.25	12	M8	9.5	10	6.2	6	23	23.6	11	9	7	30	20	M6x20	27.7	57.1	0.758	0.605	0.605	0.72	3.08
RGW25HC									81	114.4	24																33.9	73.4	0.975	0.991	0.991	0.91	
RGW30CC	42	6	31	90	72	9	52	44	71	109.8	17.5	8	12	M10	9.5	10	6.5	7.3	28	28	14	12	9	40	20	M8x25	39.1	82.1	1.445	1.06	1.06	1.16	4.41
RGW30HC									93	131.8	28.5																48.1	105	1.846	1.712	1.712	1.52	
RGW35CC	48	6.5	33	100	82	9	62	52	79	124	16.5	10	12	M10	12	13	9	12.6	34	30.2	14	12	9	40	20	M8x25	57.9	105.2	2.17	1.44	1.44	1.75	6.06
RGW35HC									106.5	151.5	30.25																73.1	142	2.93	2.6	2.6	2.40	
RGW45CC	60	8	37.5	120	100	10	80	60	106	153.2	21	10	12.9	M12	14	15	10	14	45	38	20	17	14	52.5	22.5	M12x35	92.6	178.8	4.52	3.05	3.05	3.43	9.97
RGW45HC									139.8	187	37.9																116	230.9	6.33	5.47	5.47	4.57	
RGW55CC	70	10	43.5	140	116	12	95	70	125.5	183.7	27.75	12.5	12.9	M14	16	17	12	17.5	53	44	23	20	16	60	30	M14x45	130.5	252	8.01	5.4	5.4	5.43	13.98
RGW55HC									173.8	232	51.9																167.8	348	11.15	10.25	10.25	7.61	
RGW65CC	90	12	53.5	170	142	14	110	82	160	232	40.8	15.8	12.9	M16	22	23	15	15	63	53	26	22	18	75	35	M16x50	213	411.6	16.20	11.59	11.59	11.63	20.22
RGW65HC									223	295	72.3																275.3	572.7	22.55	22.17	22.17	16.58	

Note : 1 kgf = 9.81 N

(3) Dimensions for RGR-T (Rail Mounting from Bottom)



Model No.	Dimensions of Rail (mm)						Weight
	W <sub>R</sub>	H <sub>R</sub>	S	h	P	E	(kg/m)
RGR15T	15	16.5	M5×0.8P	8	30	20	1.86
RGR20T	20	21	M6×1P	10	30	20	2.76
RGR25T	23	23.6	M6×1P	12	30	20	3.36
RGR30T	28	28	M8×1.25P	15	40	20	4.82
RGR35T	34	30.2	M8×1.25P	17	40	20	6.48
RGR45T	45	38	M12×1.75P	24	52.5	22.5	10.83
RGR55T	53	44	M14×2P	24	60	30	15.15
RGR65T	63	53	M20×2.5P	30	75	35	21.24

## QR Series

Roller type

### 2-10 QR series - Quiet Roller Type Linear Guideway

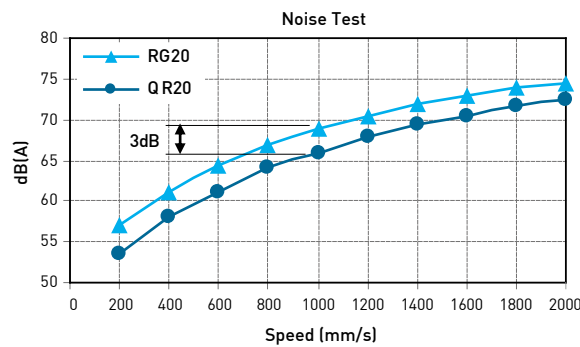
HIWIN-QR series offers super high rigidity and very high load capacities. The HIWIN-QR series with SynchMotion™ Technology offers low friction, smooth movement, quieter operation and longer running life. In the industry where high accuracy, low noise and high rigidity is required, the QR series is interchangeable with the RG series.

#### 2-10-1 Advantages and features

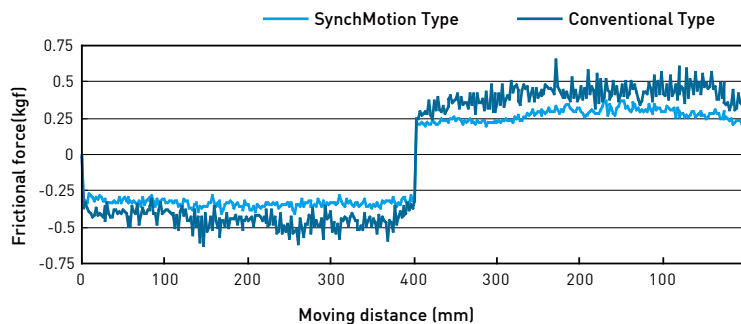
(1) Super high load capacity in linear guideway, with the four rows of rollers arranged at a contact angle of 45-degrees, the QR series linear guideway has equal load ratings in the radial, reverse radial and lateral directions. The QR series has a higher load capacity in a smaller size than conventional, ball-type linear guideways.



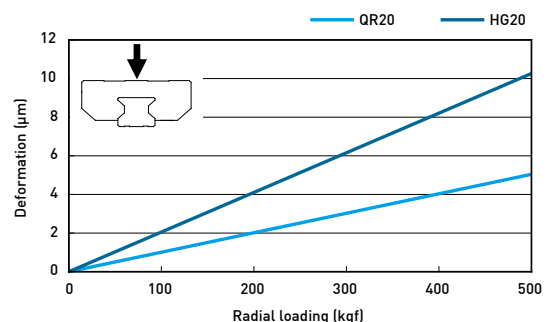
(2) Low Noise Design With SynchMotion™ technology, rolling elements are interposed between the partitions of SynchMotion™ to provide improved circulation. Due to the elimination of contact between the rolling elements, collision noise and sound levels are drastically reduced.



(3) Smooth Movement In standard linear guideways, rolling elements on the load side of the guide block begin rolling and push their way through the raceway. When they contact other rolling elements they create counter-rotational friction. This results in a great variation of rolling resistance. The QR linear guideway, with SynchMotion™ technology prevents this condition.



(4) The QR series is a type of linear guideway that uses rollers as the rolling elements. Elastic deformation of the linear contact surface, during load, is greatly reduced thereby offering greater rigidity and higher load capacities in all 4 load directions.



(5) Sample test  
1. Nominal life test

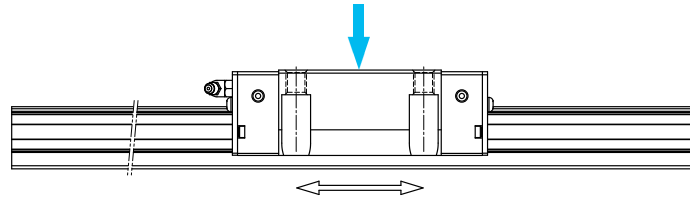
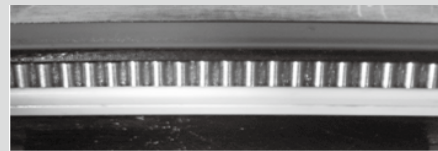


Table 2-10-1

Tested model 1: QRW20CC  
Preload: ZA class  
Max speed: 60m/min  
Acceleration: 1G Stroke: 0.2m  
Lubrication: grease held every 100 km  
External: 8.6 kN  
Traveling distance: 1024km

**Test results:**

The nominal life of QRW20 is 1000km. After traveling 1024km, fatigue flaking did not appear on the surface of the raceway or rollers. And roller chain is not broken in this case.



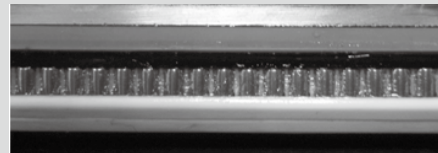
2. Durability Test

Table 2-10-2

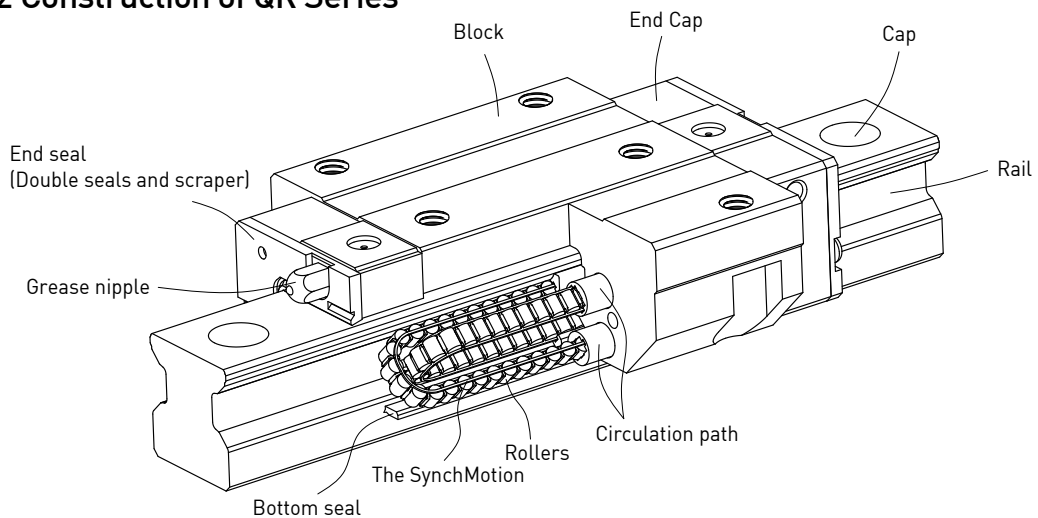
Tested model 2: QRH20CC  
Preload: Z0 class  
Max speed: 180m/min  
Acceleration: 3G Stroke: 0.23m  
Oil feed rate: 0.3cm<sup>3</sup>/hr  
External: 0km (No loading)  
Traveling distance: 10586km

**Test results:**

After traveling 10586km, fatigue flaking did not appear on the surface of the raceway or rollers. And roller chain is not broken in this case.



2-10-2 Construction of QR Series



- Rolling circulation system: Block, Rail, End cap, Circulation path, rollers and the SynchMotion.
- Lubrication system: Grease nipple and piping joint
- Dust protection system: End seal, Bottom seal, Cap, Double seals and Scraper

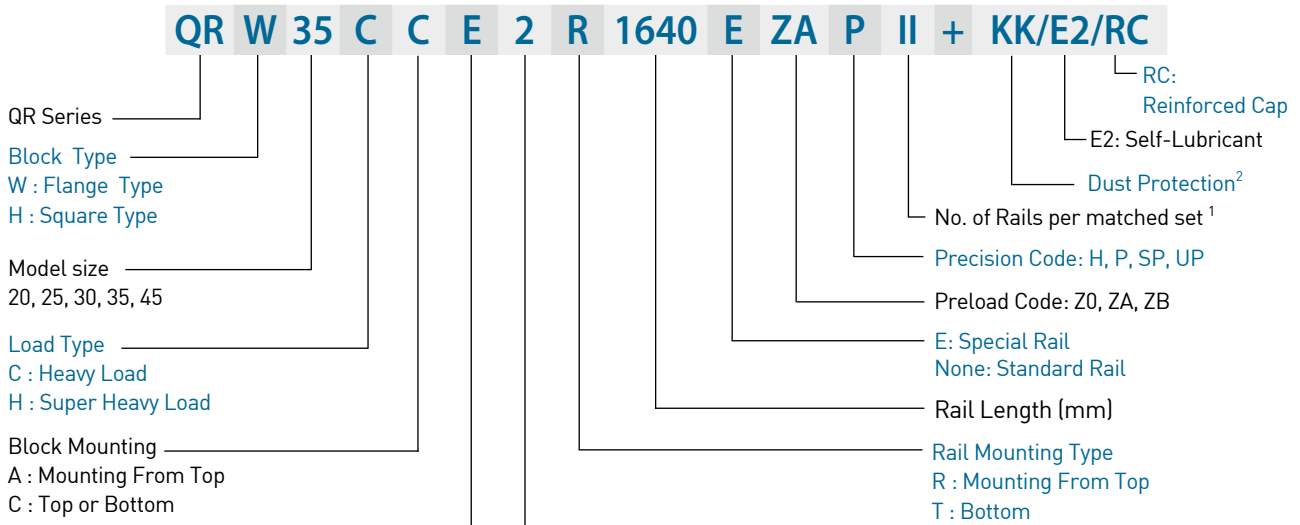
# QR Series

## Roller type

### 2-10-3 Model Number of QR series

QR series linear guideways are classified into non-interchangeable and interchangeable types. The sizes of these two types are the same as one another. The main difference is that the interchangeable type of blocks and rails can be freely exchanged and they can maintain p-class accuracy. Because of strict dimensional control, the interchangeable type linear guideways are a wise choice for customers when rails do not need to be matched for an axis. The model number of the QR series identifies the size, type, accuracy class, preload class, etc.

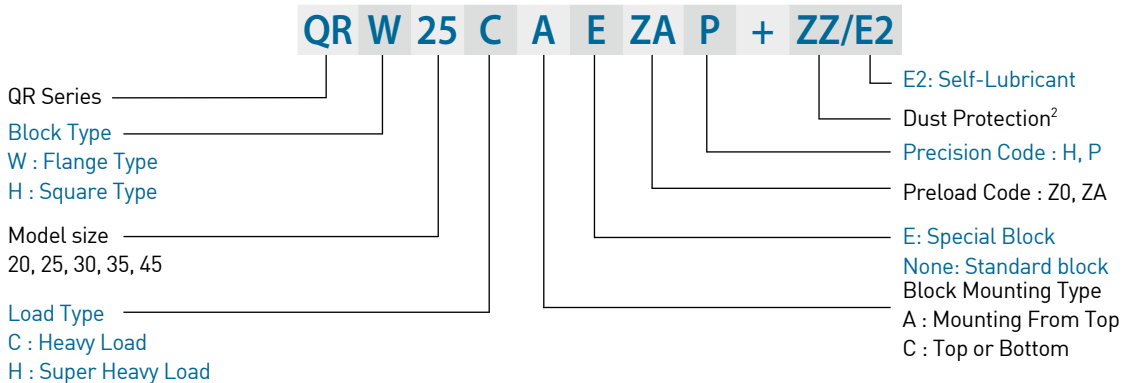
#### (1) Non-interchangeable type



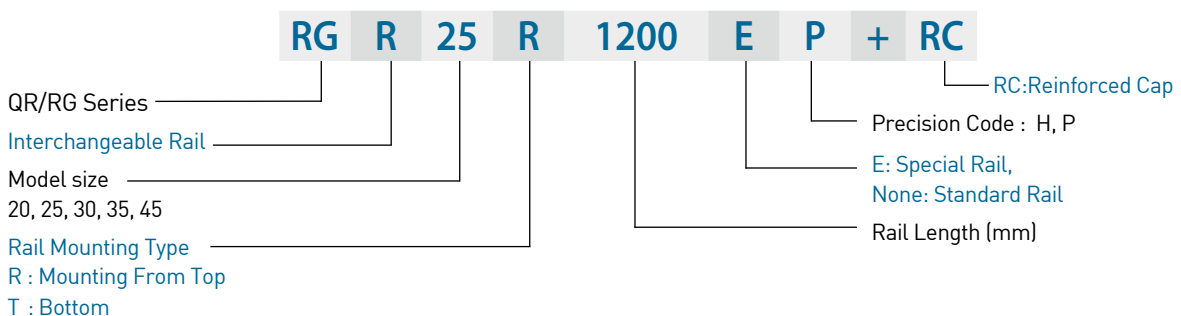
Note: 1. Roman numerals are used to express the number of matched sets of rails.  
2. For dust protection, no symbol is required if it is standard (end seal and bottom seal only).  
ZZ: End seal, bottom seal and scraper  
KK: Double seals, bottom seal and scraper  
DD: Double seals and bottom seal

#### (2) Interchangeable type

##### ○ Model Number of RG Block



##### ○ Model Number of QR Rail (QR and RG share the identical rails)

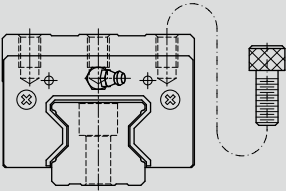
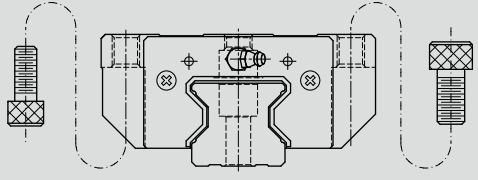


## 2-10-4 Types

### (1) Block types

HIWIN QR series offers two types of guide blocks, flange and square type. Because of the low assembly height and large mounting surface, the flange type is excellent for heavy moment load applications.

Table 2-10-3 Block Types

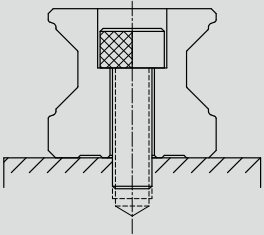
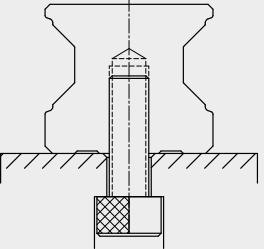
Type	Model	Shape	Height (mm)	Rail Length (mm)	Main Applications
Square	QRH-CA QRH-HA		34	100	<ul style="list-style-type: none"> <li>○ Automation Systems</li> <li>○ Transportation equipment</li> <li>○ CNC machining centers</li> <li>○ Heavy duty cutting machines</li> <li>○ CNC grinding machines</li> <li>○ Injection molding machines</li> <li>○ Plano millers</li> <li>○ Devices requiring high rigidity</li> <li>○ Devices requiring high load capacity</li> <li>○ Electric discharge machines</li> </ul>
			↓	↓	
70	4000				
↓	↓				
Flange	QRW-CC QRW-HC		30	100	
			↓	↓	
60	4000				
↓	↓				

\*Please refer to the chapter 2-10-11 for the dimensional detail.

### (2) Rail types

In addition to the standard top mounting type, HIWIN also offers the bottom mounting type of rails.

Table 2-10-4 Rail Types

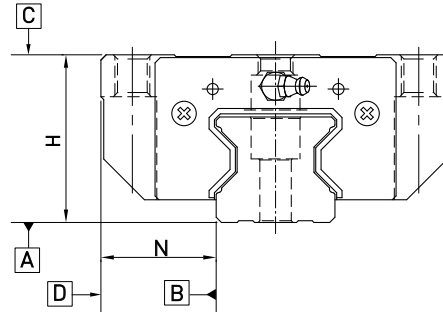
Mounting from Top	Mounting from Bottom
	

# QR Series

## Roller type

### 2-10-5 Accuracy Classes

The accuracy of the QR series can be classified into four classes: high (H), precision (p), super precision (Sp) and ultra precision (Up). Customers may choose the class by referencing the accuracy requirements of the applied equipment.



#### (1) Accuracy of non-interchangeable

Table 2-10-5 Accuracy Standards

Unit: mm

Item	QR - 20			
	High (H)	Precision (P)	Super Precision (SP)	Ultra Precision (UP)
Dimensional tolerance of height H	± 0.03	0 - 0.03	0 - 0.015	0 - 0.008
Dimensional tolerance of width N	± 0.03	0 - 0.03	0 - 0.015	0 - 0.008
Variation of height H	0.01	0.006	0.004	0.003
Variation of width N	0.01	0.006	0.004	0.003
Running parallelism of block surface C to surface A	See Table 2-10-11			
Running parallelism of block surface D to surface B	See Table 2-10-11			

Table 2-10-6 Accuracy Standards

Unit: mm

Item	QR- 25, 30, 35			
	High (H)	Precision (P)	Super Precision (SP)	Ultra Precision (UP)
Dimensional tolerance of height H	± 0.04	0 - 0.04	0 - 0.02	0 - 0.01
Dimensional tolerance of width N	± 0.04	0 - 0.04	0 - 0.02	0 - 0.01
Variation of height H	0.015	0.007	0.005	0.003
Variation of width N	0.015	0.007	0.005	0.003
Running parallelism of block surface C to surface A	See Table 2-10-11			
Running parallelism of block surface D to surface B	See Table 2-10-11			

Table 2-10-7 Accuracy Standards

Unit: mm

Item	QR - 45			
	High (H)	Precision (P)	Super Precision (SP)	Ultra Precision (UP)
Dimensional tolerance of height H	± 0.05	0 - 0.05	0 - 0.03	0 - 0.02
Dimensional tolerance of width N	± 0.05	0 - 0.05	0 - 0.03	0 - 0.02
Variation of height H	0.015	0.007	0.005	0.003
Variation of width N	0.02	0.01	0.007	0.005
Running parallelism of block surface C to surface A	See Table 2-10-11			
Running parallelism of block surface D to surface B	See Table 2-10-11			

(2) Accuracy of interchangeable

Table 2-10-8 Accuracy Standards

Unit: mm

Item	QR - 20	
Accuracy Classes	High (H)	Precision (P)
Dimensional tolerance of height H	± 0.03	± 0.015
Dimensional tolerance of width N	± 0.03	± 0.015
Variation of height H	0.01	0.006
Variation of width N	0.01	0.006
Running parallelism of block surface C to surface A	See Table 2-10-11	
Running parallelism of block surface D to surface B	See Table 2-10-11	

Table 2-10-9 Accuracy Standards

Unit: mm

Item	QR- 25, 30, 35	
Accuracy Classes	High (H)	Precision (P)
Dimensional tolerance of height H	± 0.04	± 0.02
Dimensional tolerance of width N	± 0.04	± 0.02
Variation of height H	0.015	0.007
Variation of width N	0.015	0.007
Running parallelism of block surface C to surface A	See Table 2-10-11	
Running parallelism of block surface D to surface B	See Table 2-10-11	

Table 2-10-10 Accuracy Standards

Unit: mm

Item	QR - 45	
Accuracy Classes	High (H)	Precision (P)
Dimensional tolerance of height H	± 0.05	± 0.025
Dimensional tolerance of width N	± 0.05	± 0.025
Variation of height H	0.015	0.007
Variation of width N	0.02	0.01
Running parallelism of block surface C to surface A	See Table 2-10-11	
Running parallelism of block surface D to surface B	See Table 2-10-11	



## QR Series

### Roller type

#### (3) Accuracy of running parallelism

Table 2-10-11 Accuracy of Running Parallelism

Rail Length (mm)	Accuracy (μm)			
	H	P	SP	UP
~ 100	7	3	2	2
100 ~ 200	9	4	2	2
200 ~ 300	10	5	3	2
300 ~ 500	12	6	3	2
500 ~ 700	13	7	4	2
700 ~ 900	15	8	5	3
900 ~ 1,100	16	9	6	3
1,100 ~ 1,500	18	11	7	4
1,500 ~ 1,900	20	13	8	4
1,900 ~ 2,500	22	15	10	5
2,500 ~ 3,100	25	18	11	6
3,100 ~ 3,600	27	20	14	7
3,600 ~ 4,000	28	21	15	7

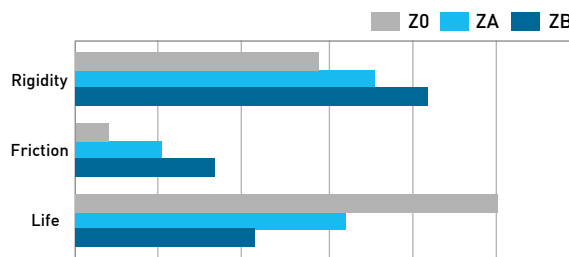
#### 2-10-6 Preload

A preload can be applied to each guideway using oversized rollers. Generally, a linear motion guideway has negative clearance between the raceway and rollers to improve stiffness and maintain high precision. The QR series linear guideway offers three standard preloads for various applications and conditions.

Table 2-10-12

Class	Code	Preload	Condition
Light Preload	Z0	0.02C~0.04C	Certain load direction, low impact, low precision required
Medium Preload	ZA	0.07C~0.09C	High rigidity required, high precision required
Heavy Preload	ZB	0.12C~0.14C	Super high rigidity required, with vibration and impact

The figure shows the relationship between the rigidity, friction and nominal life. A preload no larger than ZA would be recommended for smaller model sizes to avoid over-preload affecting the life of the guideway.

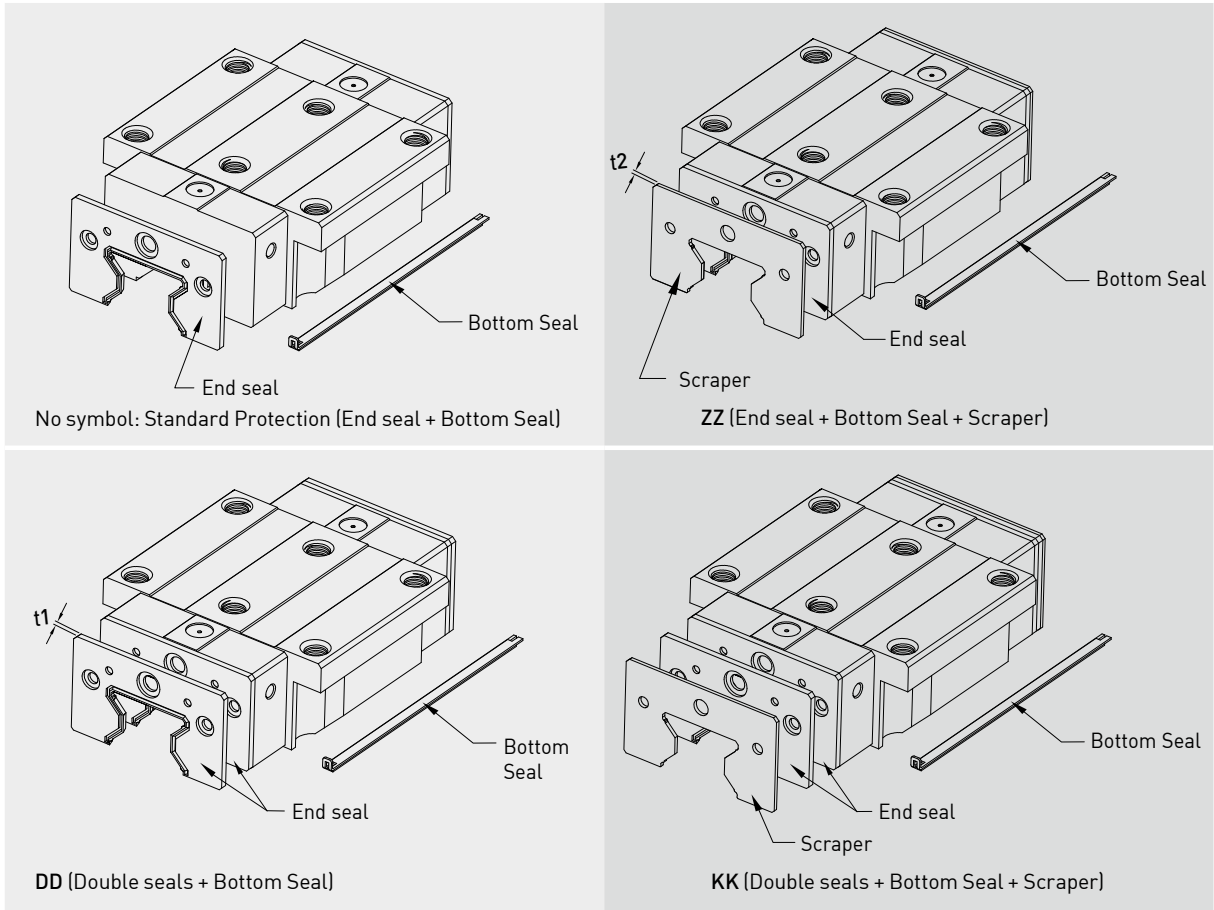


## 2-10-7 Dust Proof Accessories

### (1) Codes of accessories

If the following accessories are needed, please add the code followed by the model number.

Table 2-10-13



## QR Series

### Roller type

#### (2) End seal and bottom seal

To prevent life reduction caused by iron chips or dust entering the block.

#### (3) Double seals

Enhances the wiping effect, foreign matter can be completely wiped off.

Table 2-10-14 Dimensions of end seal

Size	Thickness (t1) (mm)	Size	Thickness (t1) (mm)
QR20 ES	2.2	QR35 ES	2.5
QR25 ES	2.2	QR45 ES	3.6
QR30 ES	2.4		

#### (4) Scraper

The scraper removes high-temperature iron chips and larger foreign objects.

Table 2-10-15 Dimensions of scraper

Size	Thickness (t2) (mm)	Size	Thickness (t2) (mm)
QR20 SC	1.0	QR35 SC	1.5
QR25 SC	1.0	QR45 SC	1.5
QR30 SC	1.5		

#### (5) Dimensions of block equipped with the dustproof parts

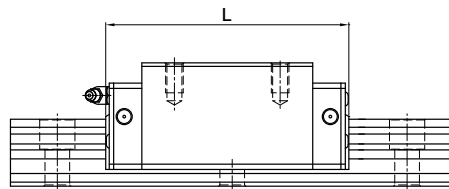


Table 2-10-16 Overall block length

unit: mm

Size	Overall block length (L)			
	SS	ZZ	DD	KK
QR20C	86	88	90.4	92.4
QR25C	97.7	99.9	102.3	104.3
QR25H	112.9	114.9	117.3	119.3
QR30C	109.8	112.8	114.6	117.6
QR30H	131.8	134.8	136.6	139.6
QR35C	124	127	129	132
QR35H	151.5	154.5	156.5	159.5
QR45C	153.2	156.2	160.4	163.4
QR45H	187	190	194.2	197.2

## 2-10-8 Friction

The maximum value of resistance per end seal are as shown in the table.

Table 2-10-17 Seal Resistance

Size	Resistance N (kgf)	Size	Resistance N (kgf)
QR 20 ES	2.45 [0.25]	QR 35 ES	3.53 [0.36]
QR 25 ES	2.74 [0.28]	QR 45 ES	4.21 [0.43]
QR 30 ES	3.31 [0.31]		

## 2-10-9 The Accuracy Tolerance of Mounting Surface

### (1) The accuracy tolerance of rail-mounting surface

As long as the accuracy requirements of the mounting surfaces shown in the following tables are met, the high accuracy, high rigidity and long life of the QR series linear guideway will be maintained without any difficulty.

- The parallelism tolerance of reference surface (P)

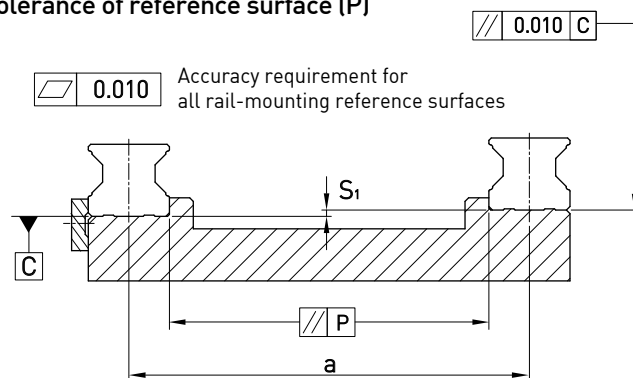


Table 2-10-18 Max. Parallelism Tolerance (P)

unit:  $\mu\text{m}$

Size	Preload classes		
	Light Preload (Z0)	Medium Preload (ZA)	Heavy Preload (ZB)
QR20	8	6	4
QR25	9	7	5
QR30	11	8	6
QR35	14	10	7
QR45	17	13	9

- The accuracy tolerance of reference surface height ( $S_1$ )

$$S_1 = a \times K$$

$S_1$  : Max. tolerance of height

$a$  : Distance between paired rails

$K$  : Coefficient of tolerance of height

Table 2-10-19 Coefficient of tolerance of height

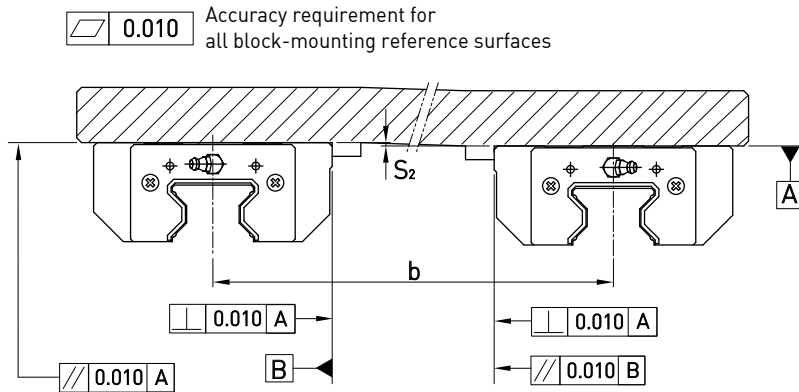
Size	Preload classes		
	Light Preload (Z0)	Medium Preload (ZA)	Heavy Preload (ZB)
K	$2.2 \times 10^{-4}$	$1.7 \times 10^{-4}$	$1.2 \times 10^{-4}$

## QR Series

### Roller type

#### (2) The accuracy tolerance of block-mounting surface

- The tolerance of the height of reference surface when two or more pieces are used in parallel ( $S_2$ )

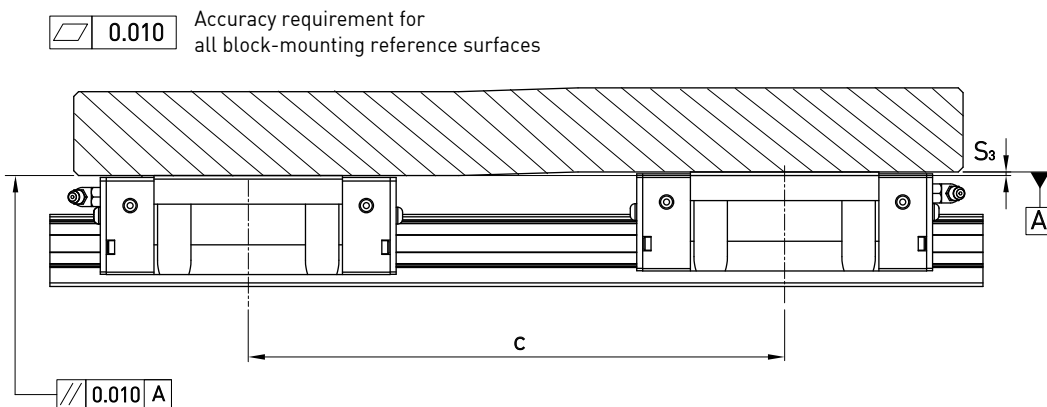


$$S_2 = b \times 4.2 \times 10^{-5}$$

$S_2$  : Max. tolerance of height

$b$  : Distance between paired blocks

- The tolerance of the height of reference surface when two or more pieces are used in parallel ( $S_3$ )



$$S_3 = c \times 4.2 \times 10^{-5}$$

$S_3$  : Max. tolerance of height

$c$  : Distance between paired blocks

## 2-10-10 Cautions for Installation

### (1) Shoulder heights and fillets

Improper shoulder heights and fillets of mounting surfaces will cause a deviation in accuracy and interference with the chamfered part of the rail or block.

By following the recommended shoulder heights and fillets, accuracy problems in installation can be eliminated.

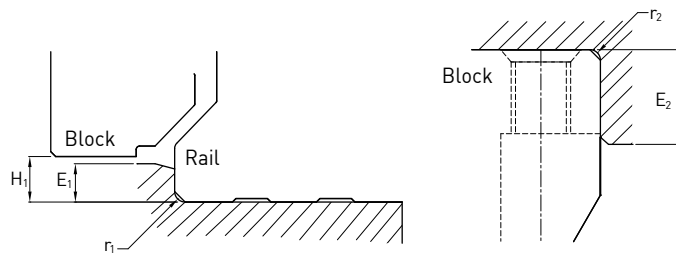


Table 2-10-20

Size	Max. radius of fillets $r_1$ (mm)	Max. radius of fillets $r_2$ (mm)	Shoulder height of the rail $E_1$ (mm)	Shoulder height of the block $E_2$ (mm)	Clearance under block $H_1$ (mm)
QR20	0.5	0.5	3.5	5	5
QR25	1.0	1.0	5	5	5.5
QR30	1.0	1.0	5	5	6
QR35	1.0	1.0	6	6	6.5
QR45	1.0	1.0	7	8	8

### (2) Tightening Torque of Mounting Bolts

Improper tightening of mounting bolts will seriously influence the accuracy of a linear guideway. The following tightening torque for the different sizes of bolt is recommended.

Table 2-10-21

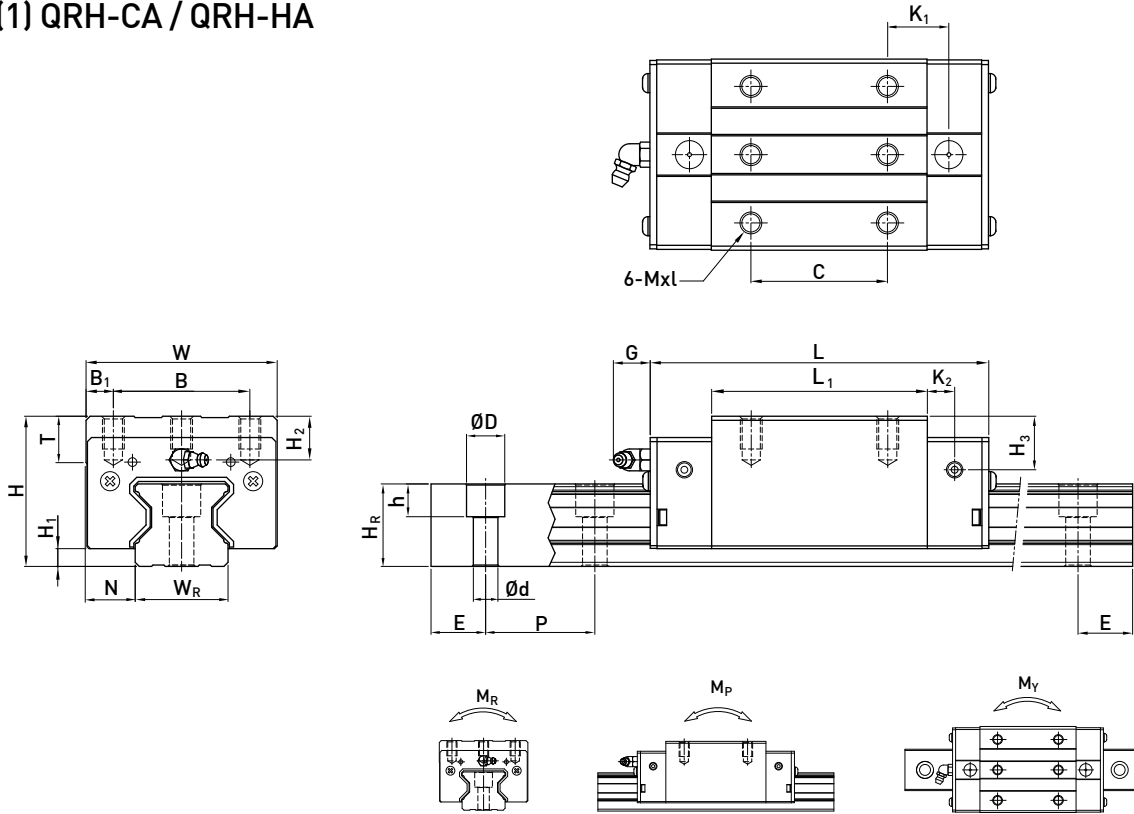
Size	Bolt size	Torque N-cm(kgf-cm)		
		Iron	Casting	Aluminum
QR20	M5×0.8P×20L	883 (90)	588 (60)	441 (45)
QR25	M6×1P×20L	1373 (140)	921 (94)	686 (70)
QR30	M8×1.25P×25L	3041 (310)	2010 (205)	1470 (150)
QR35	M8×1.25P×25L	3041 (310)	2010 (205)	1470 (150)
QR45	M12×1.75P×35L	11772 (1200)	7840 (800)	5880 (600)

# QR Series

Roller type

## 2-10-11 Dimensions for QR series

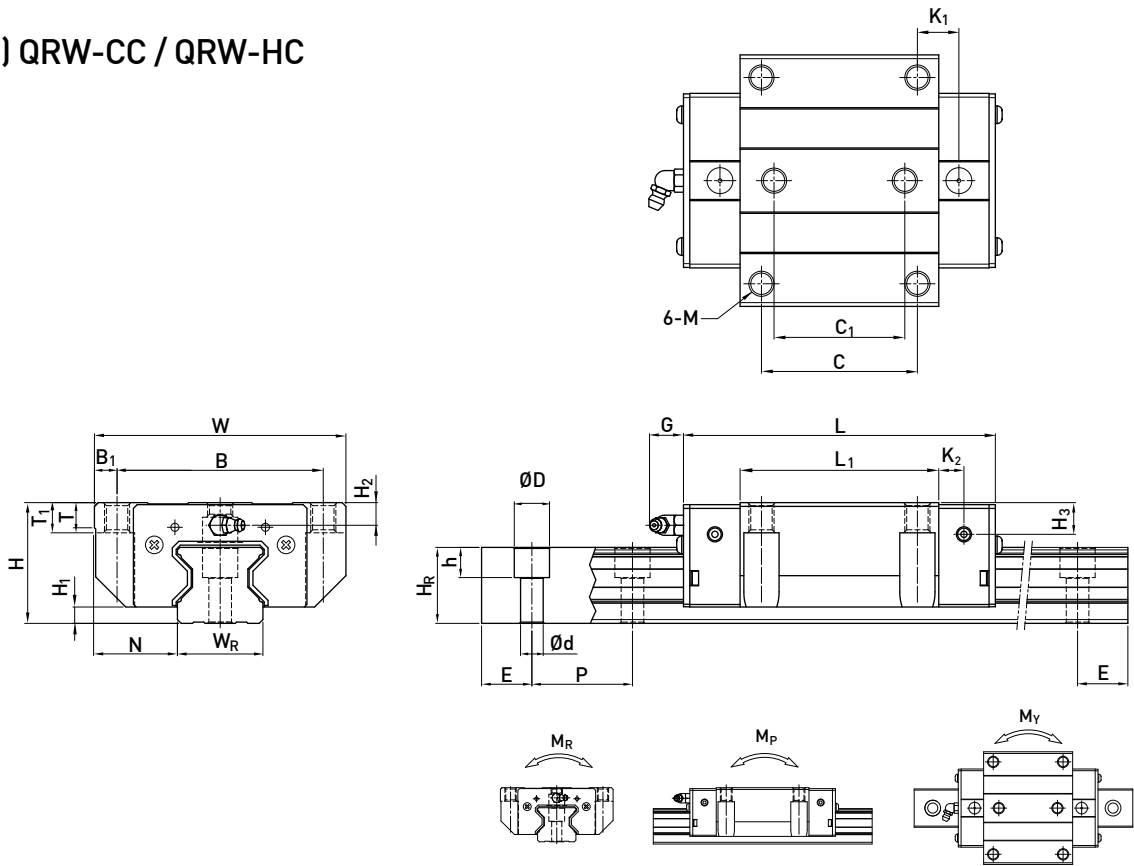
### (1) QRH-CA / QRH-HA



Model No.	Dimensions of Assembly (mm)		Dimensions of Block (mm)													Dimensions of Rail (mm)						Mounting Bolt for Rail (mm)	Basic Dynamic Load Rating C (kN)	Basic Static Load Rating C <sub>0</sub> (kN)	Static Rated Moment			Weight				
	H	H <sub>1</sub>	N	W	B	B <sub>1</sub>	C	L <sub>1</sub>	L	K <sub>1</sub>	K <sub>2</sub>	G	Mxl	T	H <sub>2</sub>	H <sub>3</sub>	W <sub>R</sub>	H <sub>R</sub>	D	h	d				P	E	M <sub>R</sub>	M <sub>P</sub>	M <sub>Y</sub>	Block	Rail	
	kN-m	kN-m	kN-m	kg	kg/m																											
QRH20CA	34	5	12	44	32	6	36	57.5	86	15.8	6	5.3	M5 x 8	8	8.3	8.3	20	21	9.5	8.5	6	30	20	M5 x 20	26.3	38.9	0.591	0.453	0.453	0.40	2.66	
QRH25CA	40	5.5	12.5	48	35	6.5	35	66	97.9	20.75	7.25	12	M6 x 8	9.5	10.2	10	23	23.6	11	9	7	30	20	M6 x 20	38.5	54.4	0.722	0.627	0.627	0.60	3.08	
QRH25HA							50	81	112.9	21.5															44.7	65.3	0.867	0.907	0.907	0.74	3.08	
QRH30CA	45	6	16	60	40	10	40	71	109.8	23.5	8	12	M8 x 10	9.5	9.5	10.3	28	28	14	12	9	40	20	M8 x 25	51.5	73.0	1.284	0.945	0.945	0.89	4.41	
QRH30HA							60	93	131.8	24.5																64.7	95.8	1.685	1.63	1.63	1.15	4.41
QRH35CA	55	6.5	18	70	50	10	50	79	124	22.5	10	12	M8 x 12	12	16	19.6	34	30.2	14	12	9	40	20	M8 x 25	77.0	94.7	1.955	1.331	1.331	1.56	6.06	
QRH35HA							72	106.5	151.5	25.25																95.7	126.3	2.606	2.335	2.335	2.04	6.06
QRH45CA	70	8	20.5	86	60	13	60	106	153.2	31	10	12.9	M10 x 17	16	20	24	45	38	20	17	14	52.5	22.5	M12 x 35	123.2	156.4	3.959	2.666	2.666	3.16	9.97	
QRH45HA							80	139.8	187	37.9																150.8	208.6	5.278	4.694	4.694	4.10	9.97

Note : 1 kgf = 9.81 N

(2) QRW-CC / QRW-HC



Model No.	Dimensions of Assembly (mm)		Dimensions of Block (mm)														Dimensions of Rail (mm)						Mounting Bolt for Rail (mm)	Basic Dynamic Load Rating C(kN)	Basic Static Load Rating C <sub>0</sub> (kN)	Static Rated Moment			Weight					
	H	H <sub>1</sub>	N	W	B	B <sub>1</sub>	C	C <sub>1</sub>	L <sub>1</sub>	L	K <sub>1</sub>	K <sub>2</sub>	G	M	T	T <sub>1</sub>	H <sub>2</sub>	H <sub>3</sub>	W <sub>R</sub>	H <sub>R</sub>	D	h				d	P	E	M <sub>R</sub>	M <sub>P</sub>	M <sub>Y</sub>	Block kg	Rail kg/m	
QRW20CC	30	5	21.5	63	53	5	40	35	57.5	86	13.8	6	5.3	M6	8	10	4.3	4.3	20	21	9.5	8.5	6	30	20	M5x20	26.3	38.9	0.591	0.453	0.453	0.47	2.66	
QRW25CC	36	5.5	23.5	70	57	6.5	45	40	66	97.9	15.75	7.25	12	M8	9.5	10	6.2	6	23	23.6	11	9	7	30	20	M6x20	38.5	54.4	0.722	0.627	0.627	0.71	3.08	
QRW25HC									81	112.9	24																	44.7	65.3	0.867	0.907	0.907	0.90	3.08
QRW30CC	42	6	31	90	72	9	52	44	71	109.8	17.5	8	12	M10	9.5	10	6.5	7.3	28	28	14	12	9	40	20	M8x25	51.5	73.0	1.284	0.945	0.945	1.15	4.41	
QRW30HC									93	131.8	28.5																	64.7	95.8	1.685	1.63	1.63	1.51	4.41
QRW35CC	48	6.5	33	100	82	9	62	52	79	124	16.5	10	12	M10	12	13	9	12.6	34	30.2	14	12	9	40	20	M8x25	77.0	94.7	1.955	1.331	1.331	1.74	6.06	
QRW35HC									106.5	151.5	30.25																	95.7	126.3	2.606	2.335	2.335	2.38	6.06
QRW45CC	60	8	37.5	120	100	10	80	60	106	153.2	21	10	12.9	M12	14	15	10	14	45	38	20	17	14	52.5	22.5	M12x35	123.2	156.4	3.959	2.666	2.666	3.41	9.97	
QRW45HC									139.8	187	37.9																	150.8	208.6	5.278	4.694	4.694	4.54	9.97

Note : 1 kgf = 9.81 N



## E2 Type

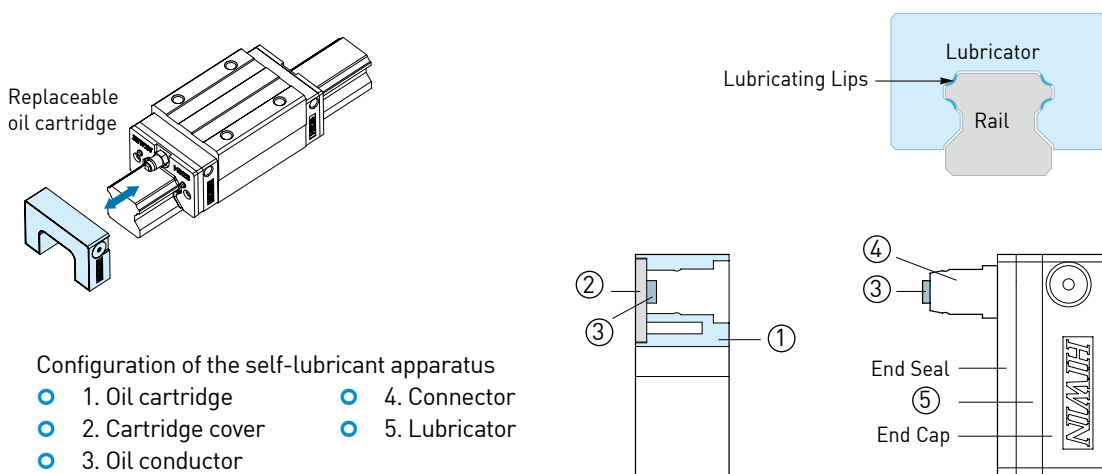
### Self Lubrication Kit

## 2-11 E2 Type - Self lubrication Kit for Linear Guideways

### 2-11-1 Construction of E2 Type

E2 self-lubricating linear guideway contains a lubricator between the end cap and end seal. Outside of the block is equipped with a replaceable oil cartridge, the configuration of which is listed below.

Lubrication oil flows from the replaceable oil cartridge to the lubricator and then lubricates grooves of rails. The Oil cartridge comprises a oil conductor with 3D structure that enables the lubricator to contact oil despite that blocks are placed at a random position , and thus the lubrication oil inside the oil cartridge can be used up via capillary action.



### 2-11-2 Feature of E2 Type

(1) Cost reduction: Save costs by reducing oil usage and maintenance.

Table 2-11-1

Item	Standard Block	E2 (Self-lubricant) Block
Lubricant device	\$ XXX	-
Design and installation of lubricant device	\$ XXX	-
Cost of oil purchase	0.3cc / hr x 8hrs / day x 280 days / year x 5 year = 3360 cc x cost / cc = \$ XXX	10 cc(5 years10000km) x cost/cc = \$ XX
Cost of refillin	3-5hrs / time x 3-5times / year x 5year x cost / time = \$ XXX	-
Waste oil disposal	3-5 times / year x 5year x cost / time = \$ XXX	-

(2) Clean and environmentally friendly: Optimized oil usage prevents leaking, making it the ideal solution for clean working environments.

(3) Long last and low maintenance: Self-lubricating block is maintenance free in most applications.

(4) No installed limitations: The linear guideway can be lubricated by E2 self-lubricating module irrespective of mounting directions.

(5) Easy to be assembled and dismantled: The cartridge can be added or removed from the block even when the guideway is installed on a machine.

(6) Different oils can be selected: The replaceable oil cartridge can be refilled with any approved lubrication oil depending on different requirements.

(7) Applications for special environments: Sealing grease into the block leads to better lubrication effects, especially in dusty, dirty, or wet environments.

### 2-11-3 Applications

- (1) Automation machinery
- (2) Manufacturing Machines : Plastic injection, printing, paper making, textile machines, food processing machines, wood working machines, and so on.
- (3) Electronic Machinery : Semiconductor equipment, robotics, X-Y table, measuring and inspecting equipment.
- (4) Others : Medical equipment, transporting equipment, construction equipment.

### 2-11-4 Specification

- (1) Add "/ E2" after the specification of linear guideway  
Ex. HGW25CC2R1600ZAPII + ZZ / E2

### 2-11-5 Lubrication Capability

- (1) Life testing with light load

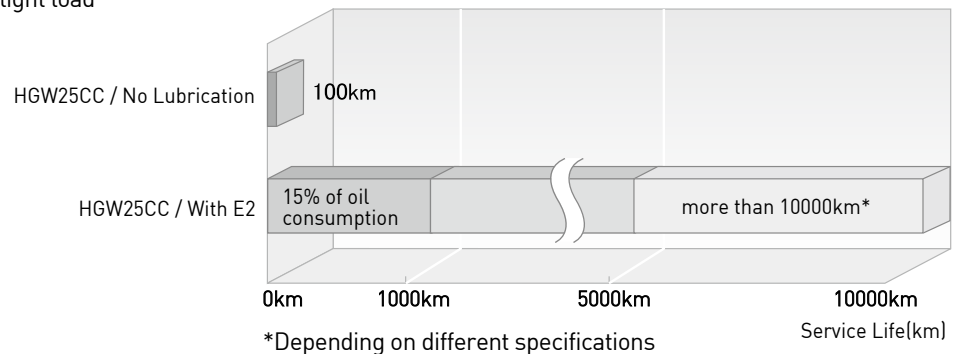


Table 2-11-2 Test condition

Model No.	HGW25CC
Speed	60m / min
Stroke	1500mm
Load	500kgf

- (2) Characteristic of lubrication oil

The standard oil is a fully synthetic lubricant with a main constituent, synthetic hydrocarbons (PAO). The viscosity class of the oil is 680 (ISO VG680). Its characteristics are as follows.

- Compatible with lubrication grease of which the base oil is synthetic hydrocarbon oil, mineral oil or ester oil.
  - Synthetic oil with superb high temperature thermal/oxidation resistance.
  - High viscosity index to provide outstanding performance in service applications at extremely high and low temperatures.
  - Low traction coefficient to reduce power consumption.
  - Anti-corrosion and rust-proof.
- \* Lubricants with the same viscosity class can also be used; however, their compatibility should be taken into consideration.

### 2-11-6 Temperature Range for Application

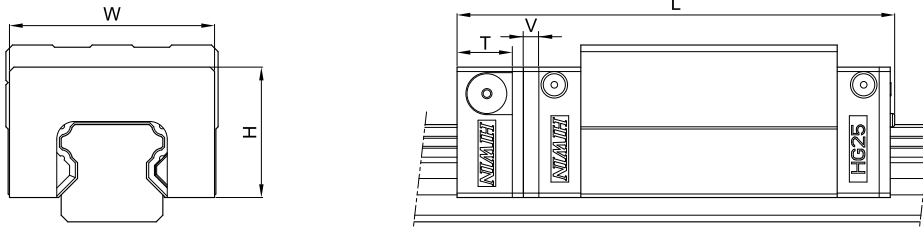
The application temperature for this product is -10°C ~ 50°C. Please contact with HIWIN for further discussion and information if the temperature is out of this range.

## E2 Type

### Self Lubrication Kit

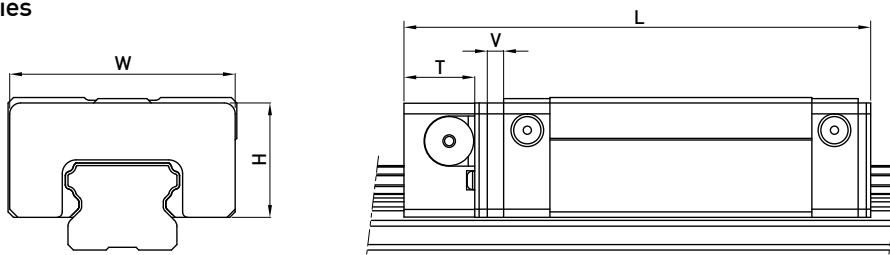
#### 2-11-7 Dimension Table for E2 Type

##### (1) HG Series



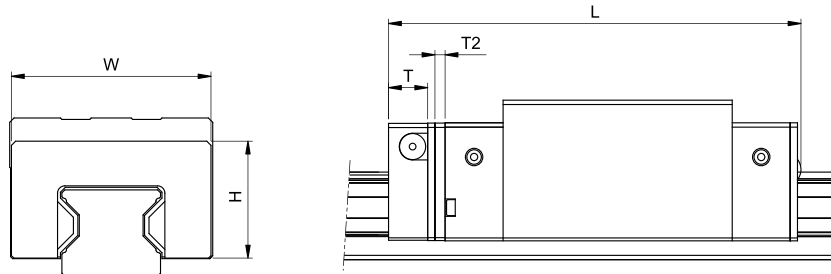
Model No.	E2 self-lubricating module dimensions								
	W	H	T	V	L	SS	ZZ	DD	KK
HG15C	32.4	19.5	12.5	3	75.4	82.5	82	89.1	
HG20C	43	24.4	13.5	3.5	93.5	97.5	98.5	102.5	
HG20H					108.2	112.2	113.2	117.2	
HG25C	46.4	29.5	13.5	3.5	100	104	105	109	
HG25H					120.6	124.6	125.6	129.6	
HG30C	58	35	13.5	3.5	112.9	120.4	120.3	127.8	
HG30H					135.9	143.4	143.3	150.8	
HG35C	68	38.5	13.5	3.5	127.9	135.4	135.3	142.8	
HG35H					153.7	161.2	161.1	168.6	
HG45C	82	49	16	4.5	157.2	166.5	167.2	176.5	
HG45H					189	198.3	199	208.3	
HG55C	97	55.5	16	4.5	183.9	193.6	194.3	204	
HG55H					222	231.7	232.4	242.1	
HG65C	121	69	16	4.5	219.2	224.7	228.2	233.7	
HG65H					278.6	284.1	287.6	293.1	

##### (2) EG Series



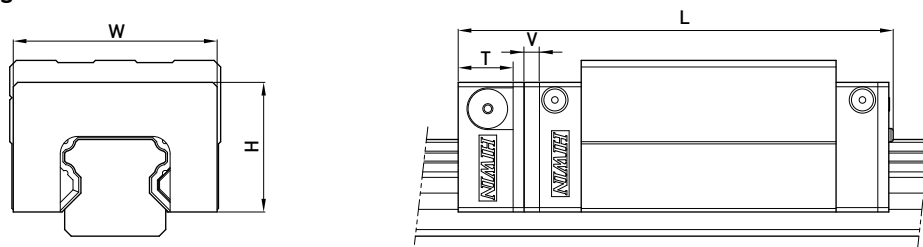
Model No.	E2 self-lubricating module dimensions								
	W	H	T	V	L	SS	ZZ	DD	KK
EG15S	33.3	18.7	11.5	3	54.6	56.2	58.6	60.2	
EG15C					71.3	72.9	75.3	76.9	
EG20S	41.3	20.9	13	3	66	67.6	70	71.6	
EG20C					85.1	86.7	89.1	90.7	
EG25S	47.3	24.9	13	3	75.1	77.1	79.1	81.1	
EG25C					98.6	100.6	102.6	104.6	
EG30S	59.3	31	13	3	85.5	87.5	89.5	91.5	
EG30C					114.1	116.1	118.1	120.1	

(3) RG Series



Model No.	E2 self-lubricating module dimensions							
	W	H	T	V	L			
					SS	ZZ	DD	KK
RG25C	46.8	29.2	13.5	3.5	114.9	116.9	119.3	121.3
RG25H					131.4	133.4	135.8	137.8
RG30C	58.8	34.9	13.5	3.5	126.8	129.8	131.6	134.6
RG30H					148.8	151.8	153.6	156.6
RG35C	68.8	40.3	13.5	3.5	141	144	146	149
RG35H					168.5	171.5	173.5	176.5
RG45C	83.8	50.2	16	4.5	173.7	176.7	180.9	183.9
RG45H					207.5	210.5	214.7	217.7
RG55C	97.6	58.4	16	4.5	204.2	207.2	211.4	214.4
RG55H					252.5	255.5	259.7	262.7
RG65C	121.7	76.1	16	4.5	252.5	255.5	261.3	264.3
RG65H					315.5	318.5	324.3	327.3

(4) QH Series



Model No.	E2 self-lubricating module dimensions							
	W	H	T	V	L			
					SS	ZZ	DD	KK
QH15C	32.4	19.5	12.5	3	75.4	82.2	82	88.8
QH20C	43	24.4	13.5	3.5	93.1	97.2	98.1	102.2
QH20H					107.8	111.9	112.8	116.9
QH25C	46.4	29.5	13.5	3.5	100.2	104.7	105.2	109.7
QH25H					120.8	125.3	125.8	130.3
QH30C	58	35	13.5	3.5	112.9	120.1	120.3	127.5
QH30H					135.9	143.1	143.3	150.5
QH35C	68	38.5	16	3.5	129.3	133.5	134.3	138.5
QH35H					155.1	159.3	160.1	164.3
QH45C	82	49	16	4.5	158.3	163.7	165.5	170.9
QH45H					190.1	195.5	197.3	202.7

# PG Type

## Positioning Guideway

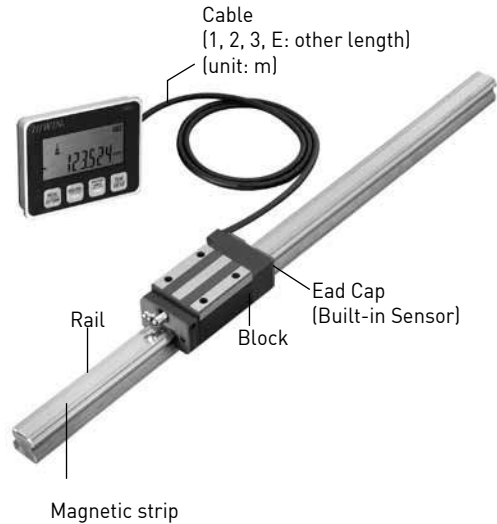
### 2-12 PG Type - Positioning Guideway

#### (1) Construction

The PG is a linear guideway assembly integrated with a magnetic encoder for position measurement.

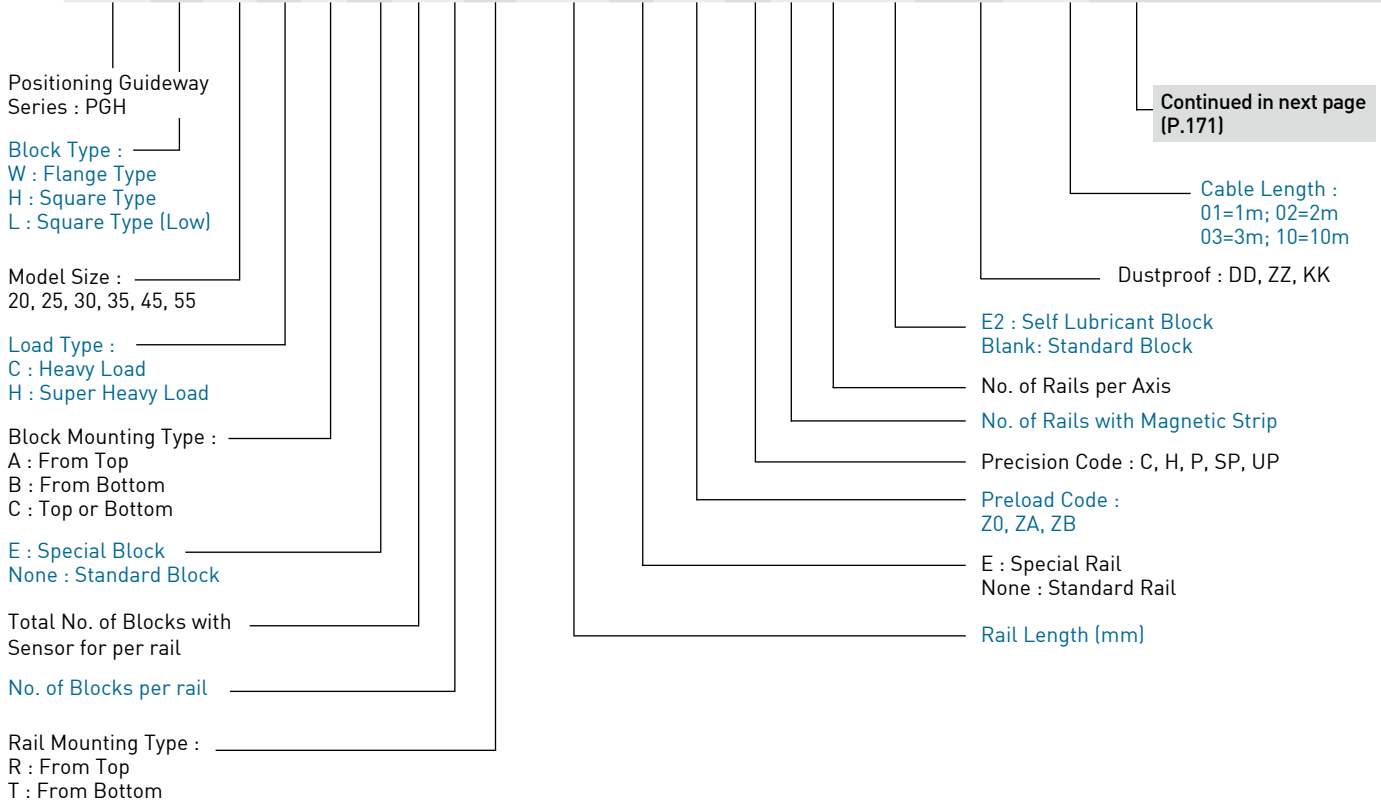
#### (2) Features

1. Additional components are completely internal, thus saving installation space.
2. Maintains high rigidity as well as high accuracy.
3. Both the sensor and the magnetic strip are protected from harmful external contaminants such as dust, iron chips, etc.
4. Non-contact measuring sensor for longer life.
5. Can measure distances up to 30 m.
6. Can withstand humidity and high-temperature environments, along with oily, dusty and high vibration applications.
7. High resolution
8. Easy installation

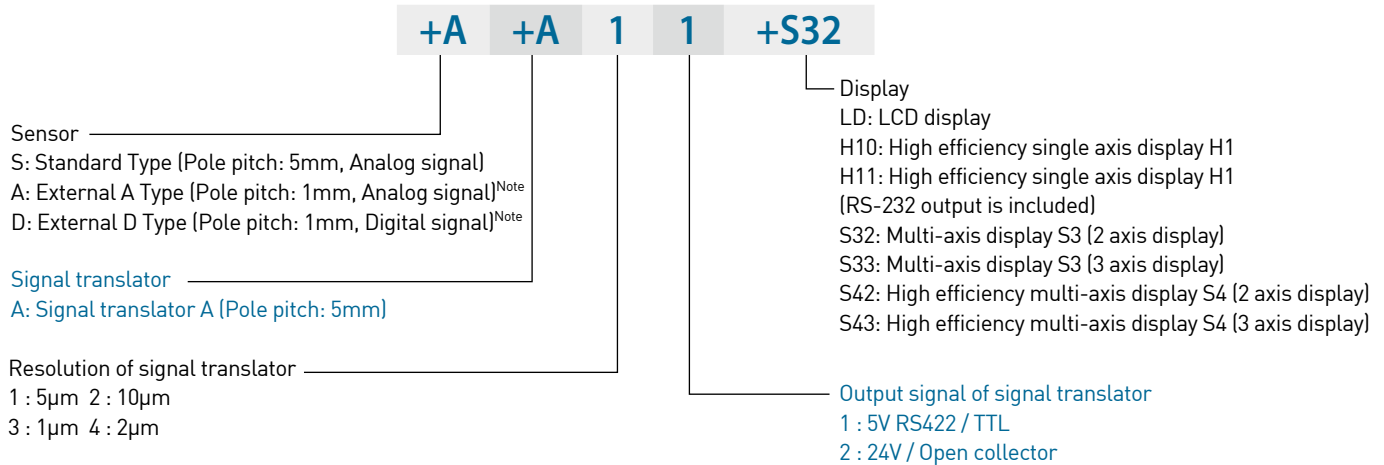


#### 2-12-1 Model Number of PG Type

**PGH W 25 C A E 1/2 T 1600 E ZA P I / II / E2 + KK + 03 + Position measuring module**



Position measuring module (Continued from last page, P.170)



Note: External type sensors (A and D) are only available for size 20 and 25.

Table 2-12-1 The help of selecting the components for the position measuring module.

Sensor	Signal translator	Resolution of signal translator	Output signal of signal translator	Display
S: Standard Type (Pole pitch: 5mm, Analog signal)	A: Signal translator A (Pole pitch: 5mm)	1:5µm 2:10µm	1:5V RS422/TTL 2:24V/Open collector	S32: Multi-axis display S3 (2 axis display)
				S33: Multi-axis display S3 (3 axis display)
				S42: High efficiency multi-axis display S4 (2 axis display)
				S43: High efficiency multi-axis display S4 (3 axis display)
A: External A Type (Pole pitch: 1mm, Analog signal) (Only available for size 20 and 25)	Connect with 1 display (LD, H10 or H11) without signal translator A			LD: LCD display
				H10: High efficiency single axis display H1
				H11: High efficiency single axis display H1 (RS-232 output is included)
D: External D Type (Pole pitch: 1mm, Digital signal) (Only available for size 20 and 25)	Connect with 1 display (H10, H11, S32, S33, S42 or S43) without signal translator B	1:5µm 2:10µm 3:1µm 4:2µm	1:5V RS422/TTL	H10: High efficiency single axis display H1
				H11: High efficiency single axis display H1 (RS-232 output is included)
				S32: Multi-axis display S3 (2 axis display)
				S33: Multi-axis display S3 (3 axis display)
				S42: High efficiency multi-axis display S4 (2 axis display)
				S43: High efficiency multi-axis display S4 (3 axis display)

# PG Type

## Positioning Guideway

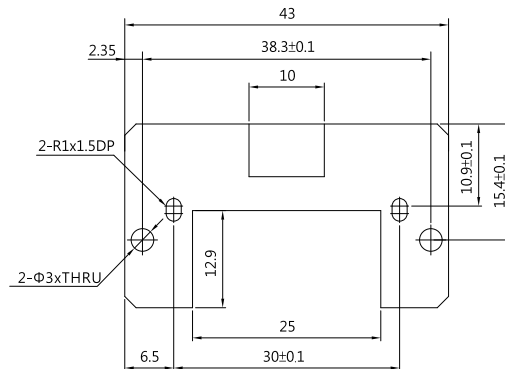
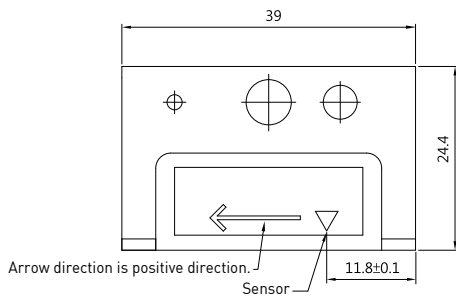
### 2-12-2 Technical data for PG Type

#### (1) Sensor technical data

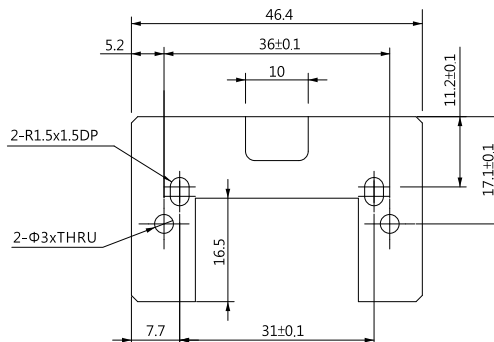
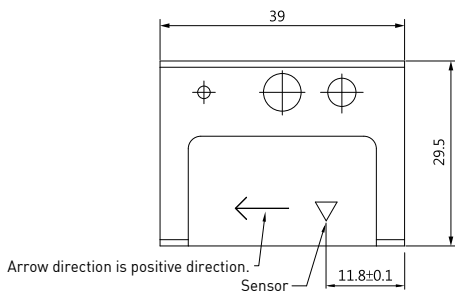
Table 2-12-2 Technical data for the sensor

Type	Specification		
	Standard	External	
		A type (analog signal)	D type (digital signal)
Resolution	5mm	1mm	1μm, 2 μm, 5 μm, 10 μm
Repeatability	±10 μm	±3 μm	±2 μm
Reference signal	-	1mm/pulse	1mm/pulse
Max. speed	10m/sec	10m/sec	5m/sec
Output signal	SIN/COS 50mVp-p	SIN/COS 1Vp-p	5V RS422/TTL
Max. output frequency	2KHz	10KHz	1.25MHz
Input power	3.3VDC±5%	5VDC±5%	5VDC±5%
Input current	0.1A	0.1A	0.1A
Operating temperature	0°C~50°C	0°C~50°C	0°C~50°C
Storage temperature	-5°C~70°C	-5°C~70°C	-5°C~70°C
IP class	IP67	IP67	IP67

#### ○ Dimensions for the external type sensor




Note: These dimensions are suitable for HIWIN PGH20 linear guideway.



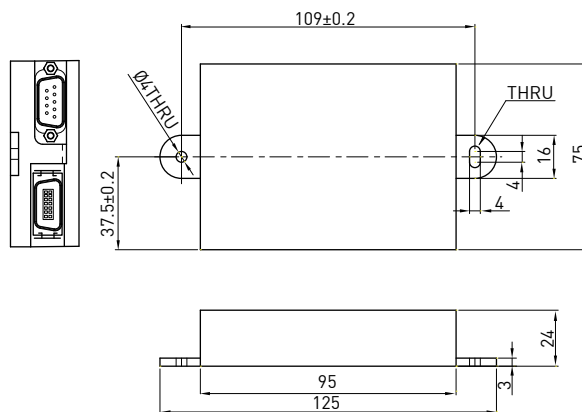
Note: These dimensions are suitable for HIWIN PGH25 linear guideway.

(2) Signal translator technical data

Table 2-12-3 Technical data for the signal translator

Type	
Specification	
<b>Signal translator A</b>	
Resolution	5 or 10 $\mu\text{m}$
Accuracy	$\pm[80 \mu\text{m}+15 \mu\text{m}/\text{m}\times\text{L}]$ , L: Scale Length (m)
Repeatability	$\pm 10 \mu\text{m}$
Max. speed	1.2m/sec
Input signal	SIN/COS 50mV
Output signal	5V RS422 / TTL or 24V/Open collector
Max. output frequency	60KHz (Resolution 5 $\mu\text{m}$ )
Input power	5VDC $\pm 5\%$ / 24VDC $\pm 10\%$
Input current	0.5A
Operating temperature	0 $^{\circ}\text{C}$ ~ 50 $^{\circ}\text{C}$
Storage temperature	-5 $^{\circ}\text{C}$ ~ 70 $^{\circ}\text{C}$
IP class	IP43

○ Dimensions of signal translator A





## PG Type

### Positioning Guideway

#### (3) Display technical data

Table 2-12-4 Technical data for the single axis display





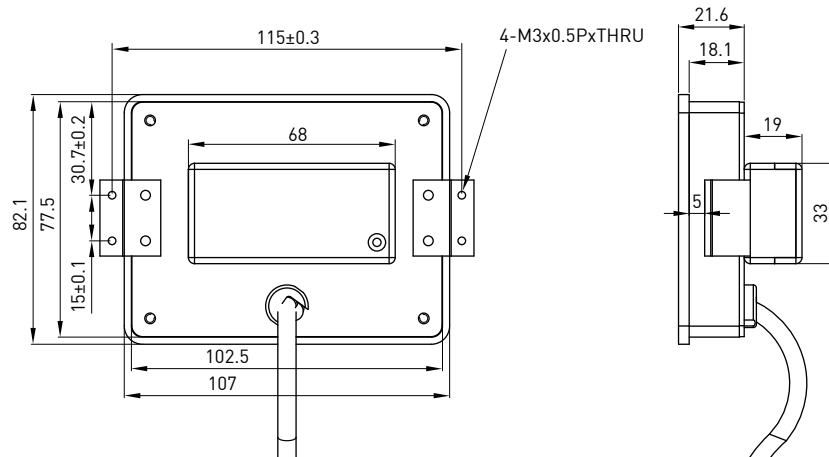
Type		
Specification	LCD display, LD	High efficiency single axis display, H1
Display	8 digital LCD display with +/- sign	8 digital LED display
Resolution	5µm	1µm, 2µm, 5µm, 10µm
Accuracy	±[80µm+15µm/m×L] L: Scale Length (m)	-
Repeatability	±10µm	-
Max. speed	3m/sec	-
Max. acceleration	2G	2G
Input signal	Analog:SIN/COS 50mVp-p	Analog:SIN/COS 1Vp-p Digital:5V RS422/TTL
Input frequency	0.6KHz	Analog:2KHz Digital:0.5MHz
Input power	Two commercial AA No.3 batteries	5VDC±5%
Input current	-	1A
Relay contact rating	-	DC24V/2A
Battery life	1 year by setting it at 1.5m/s	-
Operating temperature	0°C ~ 50°C	0°C ~ 50°C
Storage temperature	-5°C ~ 70°C	-5°C ~ 70°C
IP class	IP43	IP43

Table 2-12-5 Technical data for the multi-axis display

Type		
Specification	Multi-axis display, S3	High efficiency multi-axis display, S4
Display	8 digital LED display	8 digital LED display
Resolution	0.1µm, 0.2µm, 0.5µm, 1µm, 2µm, 5µm, 10µm, 20µm, 50µm	0.1µm, 0.2µm, 0.5µm, 1µm, 2µm, 5µm, 10µm, 20µm, 50µm
Input signal	5V/TTL	5V/TTL
Max. output frequency	<1.5MHz	<2MHz
Input power	DC 8V~30V	AC 90V~240V
Input current	0.08A	-
Operating temperature	0°C~50°C	0°C~50°C
Storage temperature	-5°C~70°C	-5°C~70°C
IP class	IP43	IP43

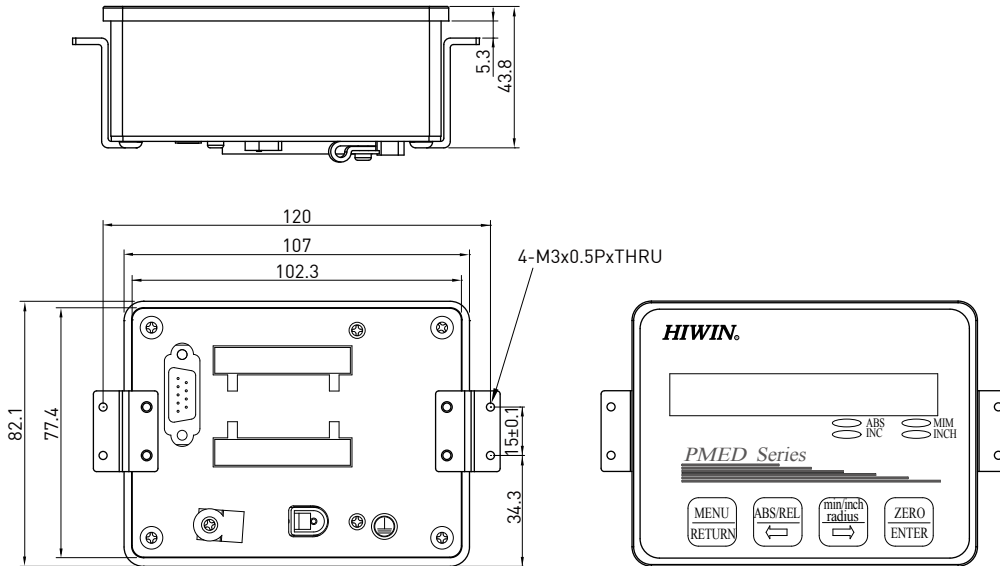
Note: An additional signal transfer cable is needed when one of the displays (H1, S3, S4) is selected. The type of cable will be selected by HIWIN depending on the type of display.

○ Dimensions of LCD display, LD

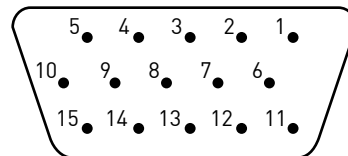


## PG Type Positioning Guideway

- Dimensions of high efficiency single axis display, H1



- Pin assignment of high efficiency single axis display, H1

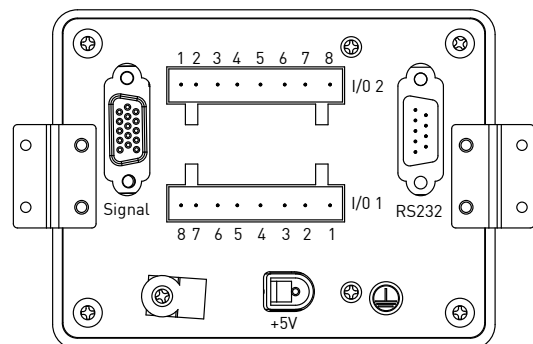


### Pin definition for signal input connector

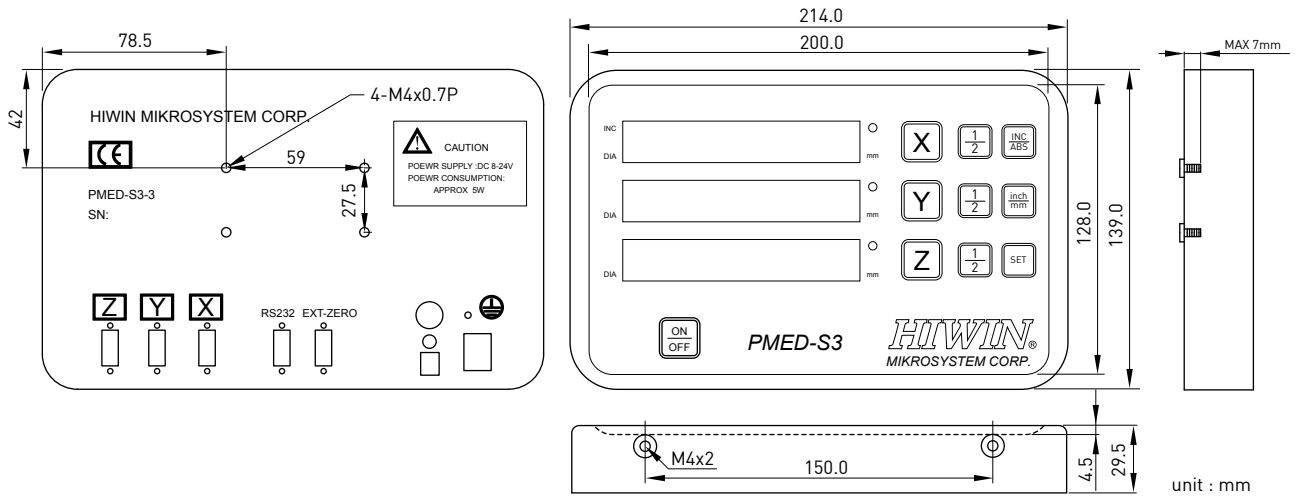
Pin	Designation	Pin	Designation	Pin	Designation
1	+5V	6	FG	11	A+(Analog)
2	GND	7	Z+	12	A-(Analog)
3	A+(Digital)	8	Z-	13	B+(Analog)
4	B+(Digital)	9	A-(Digital)	14	B-(Analog)
5	NC	10	B-(Digital)	15	NC

### Pin definition for signal output connector

I/O 1		I/O 2	
Pin	Designation	Pin	Designation
1	NC	1	NC
2			
3	NC	3	NC
4			
5	Relay 0(CH-0)	5	Relay 2(CH-2)
6	Relay 1(CH-1)	6	Relay 3(CH-3)
7			
8			



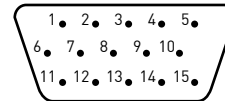
○ Dimensions of multi-axis display, S3



○ Pin assignment of multi-axis display, S3

15 pin D-Sub signal  
(female)

NC : No connection  
FG : Frame ground

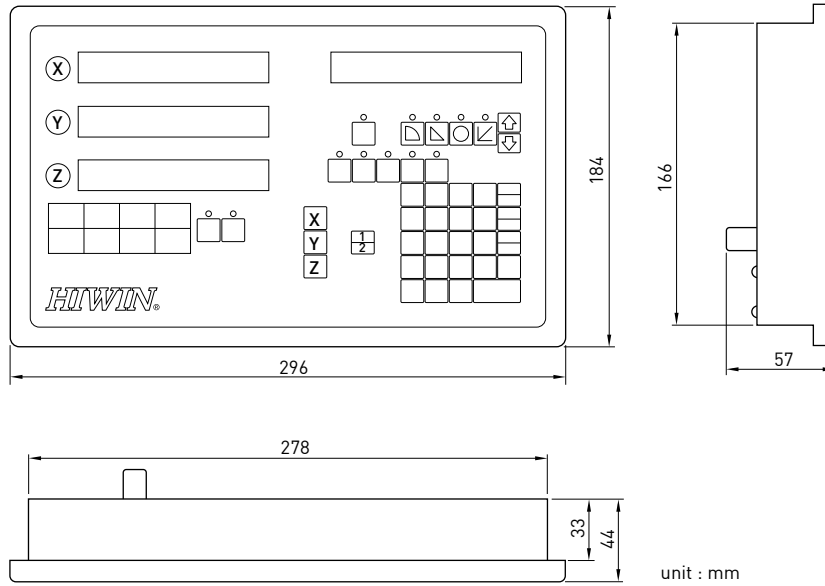


Pin	Designation	Pin	Designation	Pin	Designation
1	+5V	6	FG	11	NC
2	0V	7	NC	12	NC
3	A	8	NC	13	NC
4	B	9	NC	14	NC
5	RI	10	NC	15	NC

## PG Type

### Positioning Guideway

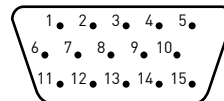
○ Dimensions of high efficiency multi-axis display, S4



○ Pin assignment of high efficiency multi-axis display, S4

15 pin D-Sub signal  
(female)

NC : No connection  
FG : Frame ground



Pin	Designation	Pin	Designation	Pin	Designation
1	+5V	6	FG	11	NC
2	0V	7	NC	12	NC
3	A	8	NC	13	NC
4	B	9	NC	14	NC
5	RI	10	NC	15	NC

## 2-12-3 Accuracy Classes

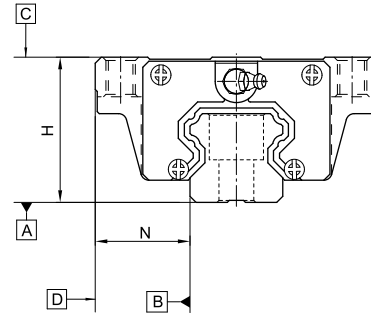


Table 2-12-6 Accuracy Standards of PGH 25, 30, 35

Unit: mm

Accuracy classes	Normal (C)	High (H)	Precision (P)	Super Precision (SP)	Ultra Precision (UP)
Dimensional tolerance of height H	± 0.1	± 0.04	0 - 0.04	0 - 0.02	0 - 0.01
Dimensional tolerance of width N	± 0.1	± 0.04	0 - 0.04	0 - 0.02	0 - 0.01
Variation of height H	0.02	0.015	0.007	0.005	0.003
Variation of width N	0.03	0.015	0.007	0.005	0.003
Running parallelism of block surface C to surface A	See table 2-12-7				
Running parallelism of block surface D to surface B	See table 2-12-7				

Note: See table 2-1-3 and 2-1-5 in section 2-1(HG series) for the accuracy standards of PGH 20, 45, 55

Table 2-12-7 Accuracy of Running Parallelism

Rail length (mm)	Accuracy (μm)				
	C	H	P	SP	UP
~ 100	12	7	3	2	2
100 ~ 200	14	9	4	2	2
200 ~ 300	15	10	5	3	2
300 ~ 500	17	12	6	3	2
500 ~ 700	20	13	7	4	2
700 ~ 900	22	15	8	5	3
900 ~ 1,100	24	16	9	6	3
1,100 ~ 1,500	26	18	11	7	4
1,500 ~ 1,900	28	20	13	8	4
1,900 ~ 2,500	31	22	15	10	5
2,500 ~ 3,100	33	25	18	11	6
3,100 ~ 3,600	36	27	20	14	7
3,600 ~ 4,000	37	28	21	15	7

## 2-12-4 Preload

Table 2-12-8 PGH-series

Class	Code	Preload
Light Preload	Z0	0~0.02C
Medium Preload	ZA	0.05C~0.07C
Heavy Preload	ZB	0.10C~0.12C

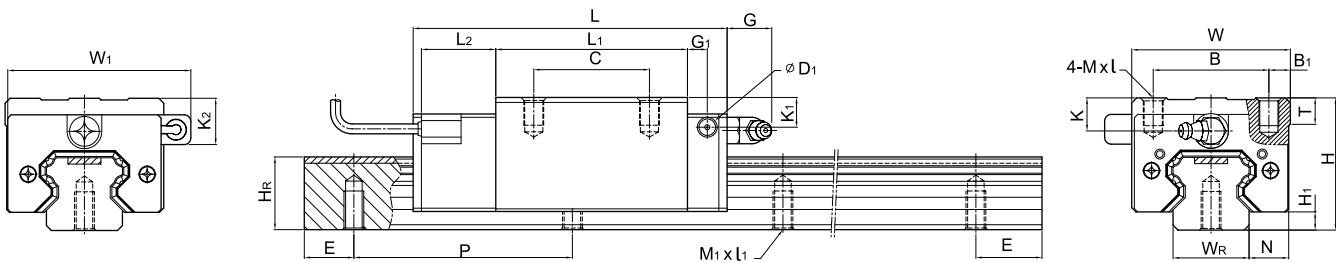
Note: "C" in preload column means basic dynamic load rating

# PG Type

## Positioning Guideway

### 2-12-5 Dimensions for PG Series

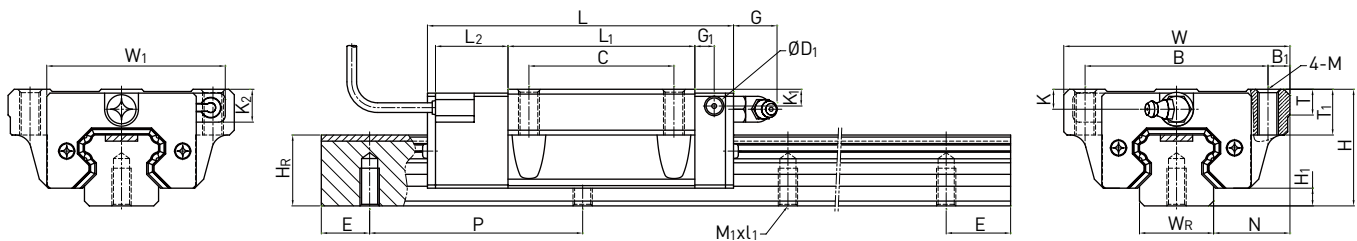
#### (1) PGHH-CA / PGHH-HA



Model No.	Dimensions of Assembly (mm)		Dimensions of Block (mm)																Dimensions of Rail (mm)					Basic Dynamic Load Rating	Basic Static Load Rating	Weight			
	H	H <sub>1</sub>	N	W	W <sub>1</sub>	B	B <sub>1</sub>	C	L	L <sub>1</sub>	L <sub>2</sub>	G	G <sub>1</sub>	D <sub>1</sub>	K	K <sub>1</sub>	K <sub>2</sub>	M x L	T	W <sub>R</sub>	H <sub>R</sub>	M <sub>1</sub> x L <sub>1</sub>	P			E	C (kN)	C <sub>0</sub> (kN)	Block (kg)
PGHH20CA	30	4.6	12	44	52	32	6	36	90.5	50.5	25	12	6	5	6	7	10	M5x6	8	20	17.5	17.5	M6x10	60	20	17.75	27.76	0.38	2.05
PGHH20HA	50	105.2	65.2																										
PGHH25CA	40	5.5	12.5	48	55.4	35	6.5	35	95	58	22.5	12	6	5	10	9	14	M6x8	8	23	22	M6x12	60	20	26.48	36.49	0.51	3.05	
PGHH25HA								50	116	78.6																			
PGHH30CA	45	6	16	60	67	40	10	40	110	70	23	12	6	5	9.5	13.8	19	M8x10	8.5	28	26	M8x15	80	20	38.74	52.19	0.88	4.31	
PGHH30HA								60	133	93																			
PGHH35CA	55	7.5	18	70	77	50	10	50	123	80	23.4	12	7	5	16	19.6	23.5	M8x12	10.2	34	29	M8x17	80	20	49.52	69.16	1.45	6.14	
PGHH35HA								72	148.8	105.8																			
PGHH45CA	70	9.5	20.5	86	91	60	13	60	148	97	24.5	12.9	10	8.5	18.5	30.5	30.5	M10x17	16	45	38	M12x24	105	22.5	77.57	102.71	2.73	10.25	
PGHH45HA								80	179.8	128.8																			
PGHH55CA	80	13	23.5	100	106	75	12.5	75	172.7	117.7	26	12.9	11	8.5	22	29	28.5	M12x18	17.5	53	44	M14x25	120	30	114.44	148.33	4.17	14.92	
PGHH55HA								95	210.8	155.8																			

Note: 1 kgf = 9.81N

(2) PGHW-CA / PGHW-HA



Model No.	Dimensions of Assembly (mm)				Dimensions of Block (mm)																	Dimensions of Rail (mm)					Basic Dynamic Load Rating	Basic Static Load Rating	Weight	
	H	H <sub>1</sub>	N	W	W <sub>1</sub>	B	B <sub>1</sub>	C	L	L <sub>1</sub>	L <sub>2</sub>	G	G <sub>1</sub>	D <sub>1</sub>	M	K	K <sub>1</sub>	K <sub>2</sub>	T	T <sub>1</sub>	W <sub>R</sub>	H <sub>R</sub>	M <sub>1</sub> xL <sub>1</sub>	P	E	C(kN)			C <sub>0</sub> (kN)	Block
	kg	kg/m																												
PGHW20CA	30	4.6	21.5	63	52	53	5	40	90.5	50.5	25	12	6	5	M6	6	7	10	8	10	20	17.5	M6x10	60	20	17.75	27.76	0.40	2.05	
PGHW20HA								105.2	65.2																					
PGHW25CA	36	5.5	23.5	70	55.4	57	6.5	45	95	58	22.5	12	6	5	M8	6	5	10	8	14	23	22	M6x12	60	20	26.48	36.49	0.59	3.05	
PGHW25HA									116	78.6																				
PGHW30CA	42	6	31	90	67	72	9	52	110	70	23	12	6	5	M10	6.5	10.8	16	8.5	16	28	26	M8x15	80	20	38.74	52.19	1.09	4.31	
PGHW30HA									133	93																				
PGHW35CA	48	7.5	33	100	77	82	9	62	123	80	23.4	12	7	5	M10	9	12.6	16.5	10.1	18	34	29	M8x17	80	20	49.52	69.16	1.56	6.14	
PGHW35HA									148.8	105.8																				
PGHW45CA	60	9.5	37.5	120	91	100	10	80	148	97	24.5	12.9	10	8.5	M12	8.5	20	20	15.1	22	45	38	M12x24	105	22.5	77.57	102.71	2.79	10.25	
PGHW45HA									179.8	128.8																				
PGHW55CA	70	13	43.5	140	106	116	12	95	172.7	117.7	26	12.9	11	8.5	M14	12	19	18.5	17.5	26.5	53	44	M14x25	120	30	114.44	148.33	4.52	14.92	
PGHW55HA									210.8	155.8																				

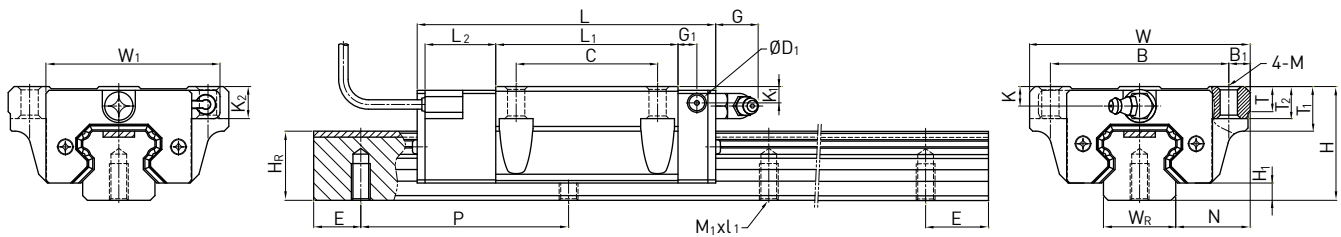
Note: 1 kgf = 9.81N



# PG Type

## Positioning Guideway

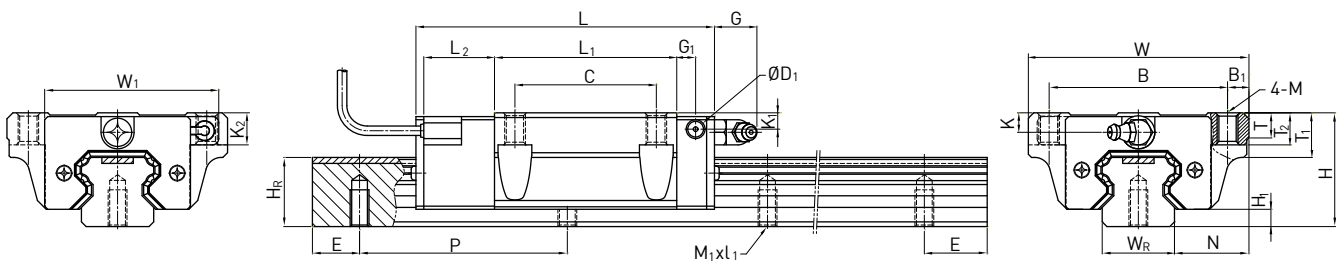
### (3) PGHW-CB/ PGHW-HB



Model No.	Dimensions of Assembly (mm)		Dimensions of Block (mm)																	Dimensions of Rail (mm)					Basic Dynamic Load Rating	Basic Static Load Rating	Weight					
	H	H <sub>1</sub>	N	W	W <sub>1</sub>	B	B <sub>1</sub>	C	L	L <sub>1</sub>	L <sub>2</sub>	G	G <sub>1</sub>	D <sub>1</sub>	M	K	K <sub>1</sub>	K <sub>2</sub>	T	T <sub>1</sub>	T <sub>2</sub>	W <sub>R</sub>	H <sub>R</sub>	M <sub>1</sub> xL <sub>1</sub>			P	E	C(kN)	C <sub>0</sub> (kN)	Block	Rail
PGHW20CB	30	4.6	21.5	63	52	53	5	40	90.5	50.5	25	12	6	5	Ø6	6	7	10	8	10	9.5	20	17.5	M6x10	60	20	17.75	27.76	0.40	2.05		
PGHW20HB									105.2	65.2																						
PGHW25CB	36	5.5	23.5	70	55.4	57	6.5	45	95	58	22.5	12	6	5	Ø7	6	5	10	8	14	10	23	22	M6x12	60	20	26.48	36.49	0.59	3.05		
PGHW25HB									116	78.6																						
PGHW30CB	42	6	31	90	67	72	9	52	110	70	23	12	6	5	Ø9	6.5	10.8	16	8.5	16	10	28	26	M8x15	80	20	38.74	52.19	1.09	4.31		
PGHW30HB									133	93																						
PGHW35CB	48	7.5	33	100	77	82	9	62	123	80	23.4	12	7	5	Ø9	9	12.6	16.5	10.1	18	13	34	29	M8x17	80	20	49.52	69.16	1.56	6.14		
PGHW35HB									148.8	105.8																						
PGHW45CB	60	9.5	37.5	120	91	100	10	80	148	97	24.5	12.9	10	8.5	Ø11	8.5	20	20	15.1	22	15	45	38	M12x24	105	22.5	77.57	102.71	2.79	10.25		
PGHW45HB									179.8	128.8																						
PGHW55CB	70	13	43.5	140	106	116	12	95	172.7	117.7	26	12.9	11	8.5	Ø14	12	19	18.5	17.5	26.5	17	53	44	M14x25	120	30	114.44	148.33	4.52	14.92		
PGHW55HB									210.8	155.8																						

Note: 1 kgf = 9.81N

(4) PGHW-CC/ PGHW-HC



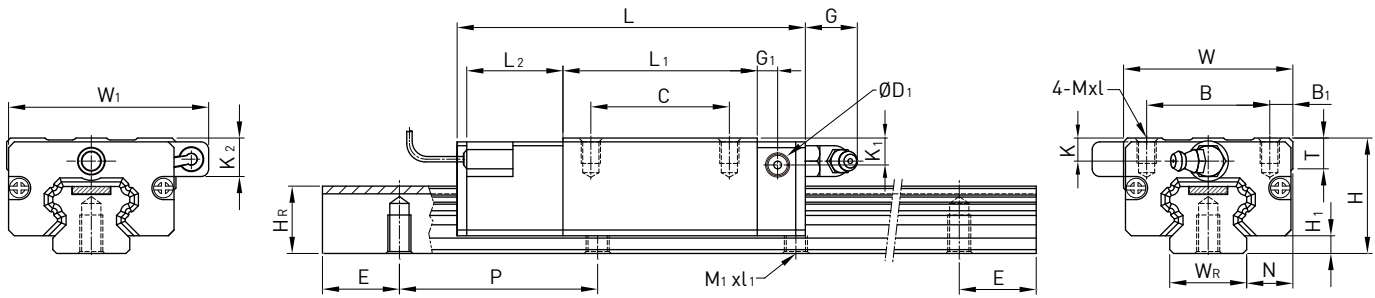
Model No.	Dimensions of Assembly (mm)									Dimensions of Block (mm)														Dimensions of Rail (mm)					Basic Dynamic Load Rating	Basic Static Load Rating	Weight	
	H	H <sub>1</sub>	N	W	W <sub>1</sub>	B	B <sub>1</sub>	C	L	L <sub>1</sub>	L <sub>2</sub>	G	G <sub>1</sub>	D <sub>1</sub>	M	K	K <sub>1</sub>	K <sub>2</sub>	T	T <sub>1</sub>	T <sub>2</sub>	W <sub>R</sub>	H <sub>R</sub>	M <sub>1</sub> xL <sub>1</sub>	P	E	C(kN)	C <sub>0</sub> (kN)	Block	Rail		
PGHW20CC	30	4.6	21.5	63	52	53	5	40	90.5	50.5	25	12	6	5	M6	6	7	10	8	10	9.5	20	17.5	M6x10	60	20	17.75	27.76	0.40	2.05		
PGHW20HC	105.2	65.2	21.18	35.9	0.52																											
PGHW25CC	36	5.5	23.5	70	55.4	57	6.5	45	95	58	22.5	12	6	5	M8	6	5	10	8	14	10	23	22	M6x12	60	20	26.48	36.49	0.59	3.05		
PGHW25HC	116	78.6	32.75	49.44	0.80																											
PGHW30CC	42	6	31	90	67	72	9	52	110	70	23	12	6	5	M10	6.5	10.8	16	8.5	16	10	28	26	M8x15	80	20	38.74	52.19	1.09	4.31		
PGHW30HC	133	93	47.27	69.16	1.44																											
PGHW35CC	48	7.5	33	100	77	82	9	62	123	80	23.4	12	7	5	M10	9	12.6	16.5	10.1	18	13	34	29	M8x17	80	20	49.52	69.16	1.56	6.14		
PGHW35HC	148.8	105.8	60.21	91.63	2.06																											
PGHW45CC	60	9.5	37.5	120	91	100	10	80	148	97	24.5	12.9	10	8.5	M12	8.5	20	20	15.1	22	15	45	38	M12x24	105	22.5	77.57	102.71	2.79	10.25		
PGHW45HC	179.8	128.8	94.54	136.46	3.69																											
PGHW55CC	70	13	43.5	140	106	116	12	95	172.7	117.7	26	12.9	11	8.5	M14	12	19	18.5	17.5	26.5	17	53	44	M14x25	120	30	114.44	148.33	4.52	14.92		
PGHW55HC	210.8	155.8	139.35	196.2	5.96																											

Note: 1 kgf = 9.81N

# PG Type

## Positioning Guideway

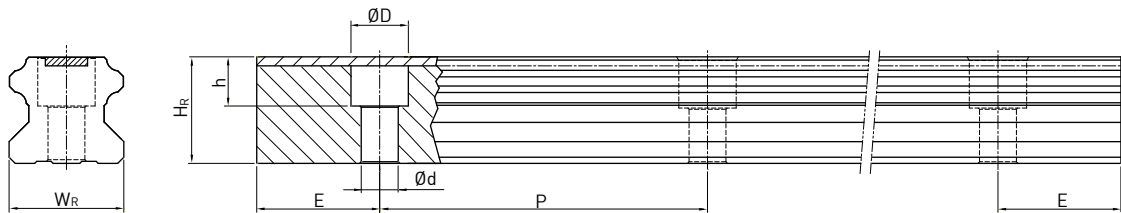
### (5) PGHL-CA / PGHL-HA



Model No.	Dimensions of Assembly (mm)		Dimensions of Block (mm)																	Dimensions of Rail (mm)					Basic Dynamic Load Rating	Basic Static Load Rating	Weight		
	H	H <sub>1</sub>	N	W	W <sub>1</sub>	B	B <sub>1</sub>	C	L	L <sub>1</sub>	L <sub>2</sub>	G	G <sub>1</sub>	D <sub>1</sub>	K	K <sub>1</sub>	K <sub>2</sub>	Mxl	T	W <sub>R</sub>	H <sub>R</sub>	M <sub>1</sub> x <sub>l<sub>1</sub></sub>	P	E			C(kN)	C <sub>0</sub> (kN)	kg
PGHL25CA	36	5.5	12.5	48	55.4	35	6.5	35	95	58																26.48	36.49	0.51	3.05
PGHL25HA								50	116	78.6	22.5	12	6	5	6	9	14	M6x6	8	23	22	M6x12	60	20	32.75	49.44	0.69		
PGHL30CA	42	6	16	60	67	40	10	40	110	70																38.74	52.19	0.88	4.31
PGHL30HA								60	133	93	23	12	6	5	6.5	10.8	16	M8x10	8.5	28	26	M8x15	80	20	47.27	69.16	1.16		
PGHL35CA	48	7.5	18	70	77	50	10	50	123	80																49.52	69.16	1.45	6.14
PGHL35HA								72	148.8	105.8	23.4	12	7	5	9	12.6	16.5	M8x12	10.2	34	29	M8x17	80	20	60.21	91.63	1.92		
PGHL45CA	60	9.5	20.5	86	91	60	13	60	148	97																77.57	102.71	2.73	10.25
PGHL45HA								80	179.8	128.8	24.5	12.9	10	8.5	8.5	20.5	20.5	M10x17	16	45	38	M12x24	105	22.5	94.54	136.46	3.61		
PGHL55CA	70	13	23.5	100	106	75	12.5	75	172.7	117.7																114.44	148.33	4.17	14.92
PGHL55HA								95	210.8	155.8	26	12.9	11	8.5	12	19	18.5	M12x18	17.5	53	44	M14x25	120	30	139.35	196.2	5.49		

Note: 1 kgf = 9.81N

(6) Dimensions for PGHR-R (Rail Mounting from Top)



Model No.	Dimensions of Rail (mm)							Mounting Bolt for Rail (mm)	Weight (kg/m)
	WR	HR	D	h	d	P	P		
PGH20R	20	17.5	9.5	8.5	6	60	20	M5×16	2.05
PGH25R	23	22	11	9	7	60	20	M6×20	3.05
PGH30R	28	26	14	12	9	80	20	M8×25	4.31
PGH35R	34	29	14	12	9	80	20	M8×25	6.14
PGH45R	45	38	20	17	14	105	22.5	M12×35	10.25
PGH55R	53	44	23	20	16	120	30	M14×45	14.92

# Linear Guideways

## SE Type

### 2-13 SE Type - Metallic End Cap Linear Guideway

#### 2-13-1 General Information

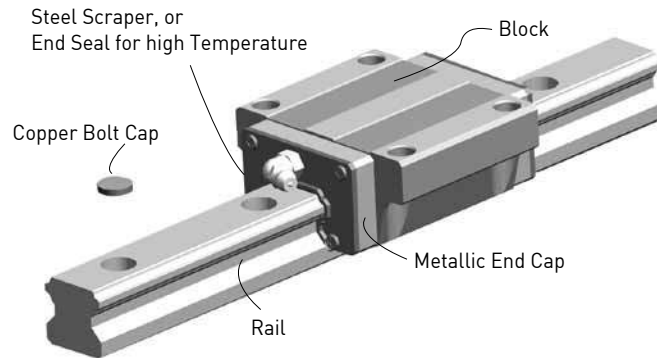
(1) Features

- Use of Metallic parts; (if end seal is needed, the high-temperature rubber in end seal is available).
- Excellent temperature resistance; service temperature under 150 °C.

(2) Applications

- Heat treatment equipment,
- Applications using vacuums (no vapor dispersion from plastic or rubber)
- Welding equipment.

#### 2-13-2 Structure



#### 2-13-3 Specification

(1) Add “/ SE” after the specification of linear guideway

Ex. HGW25CA2R1000Z0PII + ZZ / SE

#### 2-13-4 Dimensions of Bolt Cap

Table 2-13-1 Dimensions of Copper Bolt Cap

Item	Bolt Size	Diameter (mm)		Item	Bolt Size	Diameter (mm)	
		D	H			D	H
C3-C	M3	6.15	1.2	C8-C	M8	14.15	3.5
C4-C	M4	7.65	1.2	C12-C	M12	20.15	4
C5-C	M5	9.65	2.5	C14-C	M14	23.15	4
C6-C	M6	11.15	2.8	C16-C	M16	26.15	4

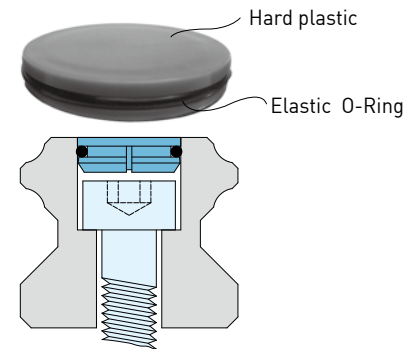
Table 2-13-2 Dimensions of Stainless Bolt Cap

Item	Bolt Size	Diameter (mm)		Item	Bolt Size	Diameter (mm)	
		D	H			D	H
C3-S	M3	6.15	1.2	C8-S	M8	14.22	3.5
C4-S	M4	7.65	1.2	C12-S	M12	20.25	4
C5-S	M5	9.65	2.5	C14-S	M14	23.15	4
C6-S	M6	11.22	2.8	C16-S	M16	26.15	4

## 2-14 RC Type - Reinforced Cap

The RC Reinforced Cap consists of a piece of hard plastic and a piece of an elastic O-ring.

The hard plastic is made of synthetic resin which is characterized by oil resistance and abrasion resistance; the O-ring is made of rubber which is characterized by oil resistance and elasticity. The structure is shown on the illustration to the right.



### 2-14-1 Features of the Reinforced Cap

#### (1) Absorb the machining error

The elastic O-ring can eliminate some of the machining error caused during the creation of the mounting holes by maintaining the tight fit between the cap and the mounting hole.

#### (2) Vibration and shock resistance

The elastic O-ring can prevent the cap from loosening by absorbing the vibrations caused by external forces acting on the guideways.

#### (3) High performance dust protection

The Reinforced Cap is designed with an elastic O-ring to contact the mounting hole perfectly by eliminating the clearance between the cap and the mounting hole resulting in excellent dust protection.

#### (4) Service life prolongation

The service life of the guideway increases due to the smoothness of the rail surface after installation of the Reinforced Cap preventing any damage to the end seals during operation.

### 2-14-2 Specification

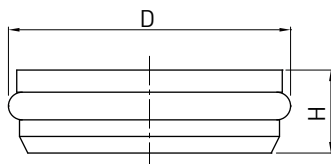
#### (1) Non-interchangeable type - Add "/RC" after the specification of the linear guideway

Ex. HGW25CC2R1600ZAPII+ZZ/RC

#### (2) Interchangeable type -Add "+RC" after the specification of the linear guideway

EX. HGR25R1600P +RC

### 2-14-3 Dimensions of Reinforced Cap



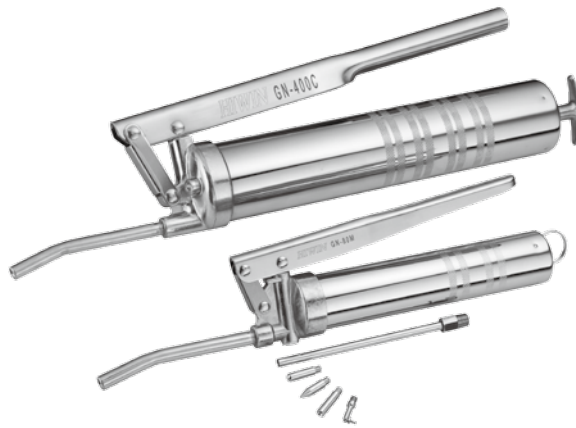
Model Number	Bolt Size	Diameter (mm)		Rail size				
		D	H	HGR	EGR	WER	MGNR	RGR
RC3	M3	6.15	1.3		15		12, 15	
RC4	M4	7.65	1.1	15	15U	17, 21, 27		15
RC5	M5	9.8	3	20	20			20
RC6	M6	11.4	2.8	25	25, 30	35		25
RC8	M8	14.6	3.5	30, 35	35, 30U			30, 35
RC12	M12	20.5	4	45				45
RC14	M14	23.5	5	55				55
RC16	M16	26.6	5	65				65

# Grease

## 2-15 Grease

### 2-15-1 Grease Gun Unit

HIWIN offers different capacities and packages for grease gun reload, depending on various requirements. The grease gun could not only be equipped with normal grease nozzle, but also be replaced with other nozzles for other kinds of grease nipples.



Grease Nipple : M6 \ PT1/8

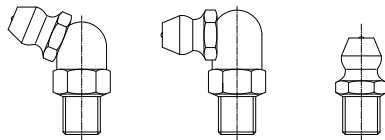


Table 2-15-1

Model no.	GN-80M	GN-400C
Dimension		
Spec.	<ol style="list-style-type: none"> <li>Working pressure: 15 MPa</li> <li>Output: 0.5~0.6 c.c./Stroke</li> <li>Weight: 520 g(grease excluded)</li> <li>Grease reload: 70 g flexible tube or 120 ml bulk loading</li> </ol>	<ol style="list-style-type: none"> <li>Working pressure: 15 MPa</li> <li>Output: 0.8~0.9 c.c./Stroke</li> <li>Weight: 1150 g (grease excluded)</li> <li>Grease reload: 14 o.z. cartridge pipe or 400 ml bulk loading</li> </ol>

## 2-15-2 Grease Nozzle Kit (Model no. GNZ-05-BOX)

HIWIN grease nozzle kit with various nozzles offers grease reload for different kinds of grease nipples.

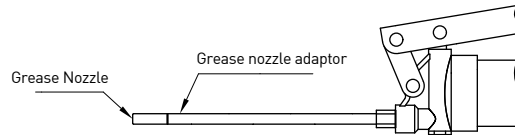


Table 2-15-2 Grease Nozzle Adaptor

Model no.	Dimensions
GT-PT1/8-M5	

Table 2-15-3 Grease Nozzle

Model no.	Dimensions	Lubricating Type
GNZ-L-M5		Minimized grease hole
GNZ-P-M5		Minimized grease hole
GNZ-R-M5		Dent nipple (DIN3405)
GNZ-C-M5		Nipple (M3, M4 thread)



## Grease

### 2-15-3 Grease

HIWIN offers various lubricants for environment such as general type, heavy load, low particle emitting, high speed, etc. According to the ways of grease reload, choices for different capacities and packages of grease are available.

Table 2-15-4 Packing



#### ○ HIWIN G01 Grease of Heavy-loading

**Features:**

1. Excellent wear and pressure resistance under heavy load condition
2. Low friction in low temperatures
3. Water resistant
4. Available for central lubrication system

**Basic Properties :**

<b>Color</b>	Light yellow	
<b>Base Oil</b>	Mineral oil	
<b>Consistency Enhancer</b>	Polyurea	
<b>Additive</b>	Solid lubricant	
<b>Service Temperature (°C)</b>	-15~115	
<b>NLGI-grade (0.1mm)</b>	310-340	
<b>Viscosity (cst)</b>	40°C	500
	100°C	30
<b>Drop Point (°C)</b>	> 170	

#### ○ HIWIN G02 Grease of Low Particle-emitting

**Features:**

1. Low particle emitting rate and suitable for clean room environment
2. Wear resistant
3. For long term usage and wide temperature range
4. Consisting of synthetic hydrocarbon oil and special calcium soap, also resistant to oxidation and corrosion

**Basic Properties:**

<b>Color</b>	Beige	
<b>Base Oil</b>	Synthetic hydrocarbon oil	
<b>Consistency Enhancer</b>	Special calcium soap	
<b>Service Temperature(°C)</b>	-30~140	
<b>NLGI-grade (0.1mm)</b>	265-295	
<b>Viscosity (cst)</b>	40°C	100
	100°C	15
<b>Drop Point (°C)</b>	> 180	

○ **HIWIN G03 Grease of Low Particle-emitting (High Speed)**

**Features:**

1. Low particle emitting rate and suitable for clean room environment
2. Wear resistant
3. For long term usage and wear resistance under high speed condition

**Basic Properties:**

<b>Color</b>	Beige	
<b>Base Oil</b>	Synthetic hydrocarbon oil	
<b>Consistency Enhancer</b>	Special calcium soap	
<b>Service Temperature (°C)</b>	-45~125	
<b>NLGI-grade (0.1mm)</b>	265-295	
<b>Viscosity (cst)</b>	40°C	30
	100°C	5.9
<b>Drop Point(°C)</b>	> 210	

○ **HIWIN G04 Grease of High Speed**

**Features:**

1. Wear resistant under high speed condition
2. Low friction under high speed condition
3. Water resistant

**Basic Properties:**

<b>Color</b>	Beige	
<b>Base Oil</b>	Ester/PAO	
<b>Consistency Enhancer</b>	Lithium soap	
<b>Service Temperature (°C)</b>	-35~120	
<b>NLGI-grade (0.1mm)</b>	260-280	
<b>Viscosity (cst)</b>	40°C	25
	100°C	6
<b>Drop Point(°C)</b>	> 225	

○ **HIWIN G05 Grease of General Type**

**Features:**

1. Wear resistance
2. Low friction resistance
3. Long-life
4. Low oxidation tendency
5. Water resistant
6. Corrosion resistant

**Basic Properties:**

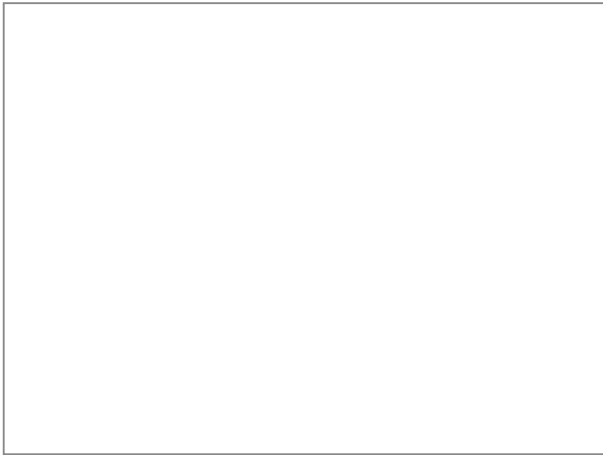
<b>Color</b>	Brown	
<b>Base Oil</b>	Mineral	
<b>Consistency Enhancer</b>	Lithium Soap	
<b>Service Temperature (°C)</b>	-15~120	
<b>NLGI-grade (0.1mm)</b>	2	
<b>Viscosity (cst)</b>	40°C	200
<b>Drop Point(°C)</b>	190	

### 3. HIWIN Linear Guideway Inquiry Form

Customer:		Date:	
Tel.		Fax.	
Machine Type		Confirm by	
Axis		Drawing No.	
<input type="checkbox"/> X <input type="checkbox"/> Y <input type="checkbox"/> Z <input type="checkbox"/> Other (                      )			
Install Position			
Model No.			
Rail Mounting	<input type="checkbox"/> R (from top) <input type="checkbox"/> T (from bottom) <input type="checkbox"/> U (from top with bolt hole enlarged)		
Dust Protection	<input type="checkbox"/> Double end seal + Bottom seal (DD) <input type="checkbox"/> Double end seal + Scraper + Bottom seal (KK) <input type="checkbox"/> End seal + Scraper + Bottom seal (ZZ) <input type="checkbox"/> End seal + Bottom seal (U)		
Special Option	<input type="checkbox"/> Steel end cap (SE) <input type="checkbox"/> Self Lubrication (E2)		
Lubrication	<input type="checkbox"/> Grease nipple (Grease) <input type="checkbox"/> Piping joint (Oil) <input type="checkbox"/> Other		
Butt-joint	<input type="checkbox"/> No <input type="checkbox"/> Yes		
No. of Rail Per Axis	<input type="checkbox"/> I (1) <input type="checkbox"/> II (2) <input type="checkbox"/> III (3) <input type="checkbox"/> Other		
Reference Surface and Injection Direction	<p>Please mark "X" in the <input type="checkbox"/> to indicate the filling directions.</p> <p style="text-align: center;"> <input type="checkbox"/> E1   <input type="checkbox"/> E2   <input type="checkbox"/> E3   <input type="checkbox"/> E4         </p>		







## HIWIN TECHNOLOGIES CORP.

No. 7, Jingke Road,  
Taichung Precision Machinery Park,  
Taichung 40852, Taiwan  
Tel: +886-4-23594510  
Fax: +886-4-23594420  
[www.hiwin.tw](http://www.hiwin.tw)  
[business@hiwin.tw](mailto:business@hiwin.tw)

## Subsidiaries & R&D Centers

**HIWIN GmbH**  
OFFENBURG, GERMANY  
[www.hiwin.de](http://www.hiwin.de)  
[www.hiwin.eu](http://www.hiwin.eu)  
[info@hiwin.de](mailto:info@hiwin.de)

**HIWIN JAPAN**  
KOBE · TOKYO · NAGOYA · KYUSHU · NAGANO ·  
HIROSHIMA · HOKURIKU, JAPAN  
[www.hiwin.co.jp](http://www.hiwin.co.jp)  
[info@hiwin.co.jp](mailto:info@hiwin.co.jp)

**HIWIN USA**  
CHICAGO · SILICON VALLEY, U.S.A.  
[www.hiwin.com](http://www.hiwin.com)  
[info@hiwin.com](mailto:info@hiwin.com)

**HIWIN s.r.o.**  
BRNO, CZECH REPUBLIC  
[www.hiwin.cz](http://www.hiwin.cz)  
[info@hiwin.cz](mailto:info@hiwin.cz)

**HIWIN SCHWEIZ**  
JONA, SWITZERLAND  
[www.hiwin.ch](http://www.hiwin.ch)  
[info@hiwin.ch](mailto:info@hiwin.ch)

**HIWIN FRANCE**  
ECHAUFFOUR, FRANCE  
[www.hiwin.fr](http://www.hiwin.fr)  
[info@hiwin.fr](mailto:info@hiwin.fr)

**HIWIN Srl**  
MILAN, ITALY  
[www.hiwin.it](http://www.hiwin.it)  
[info@hiwin.it](mailto:info@hiwin.it)

**HIWIN SINGAPORE**  
SINGAPORE  
[www.hiwin.sg](http://www.hiwin.sg)  
[info@hiwin.sg](mailto:info@hiwin.sg)

**HIWIN KOREA**  
SUWON, KOREA  
[www.hiwin.kr](http://www.hiwin.kr)  
[info@hiwin.kr](mailto:info@hiwin.kr)

**HIWIN CHINA**  
SUZHOU, CHINA  
[www.hiwin.cn](http://www.hiwin.cn)  
[info@hiwin.cn](mailto:info@hiwin.cn)

**HIWIN BRAZIL**  
BAURU, BRAZIL  
[www.mectrol.com.br](http://www.mectrol.com.br)  
[vendasbr@mectrol.com.br](mailto:vendasbr@mectrol.com.br)

**Mega-Fabs Motion System, Ltd.**  
HAIFA, ISRAEL  
[www.mega-fabs.com](http://www.mega-fabs.com)  
[info@mega-fabs.com](mailto:info@mega-fabs.com)