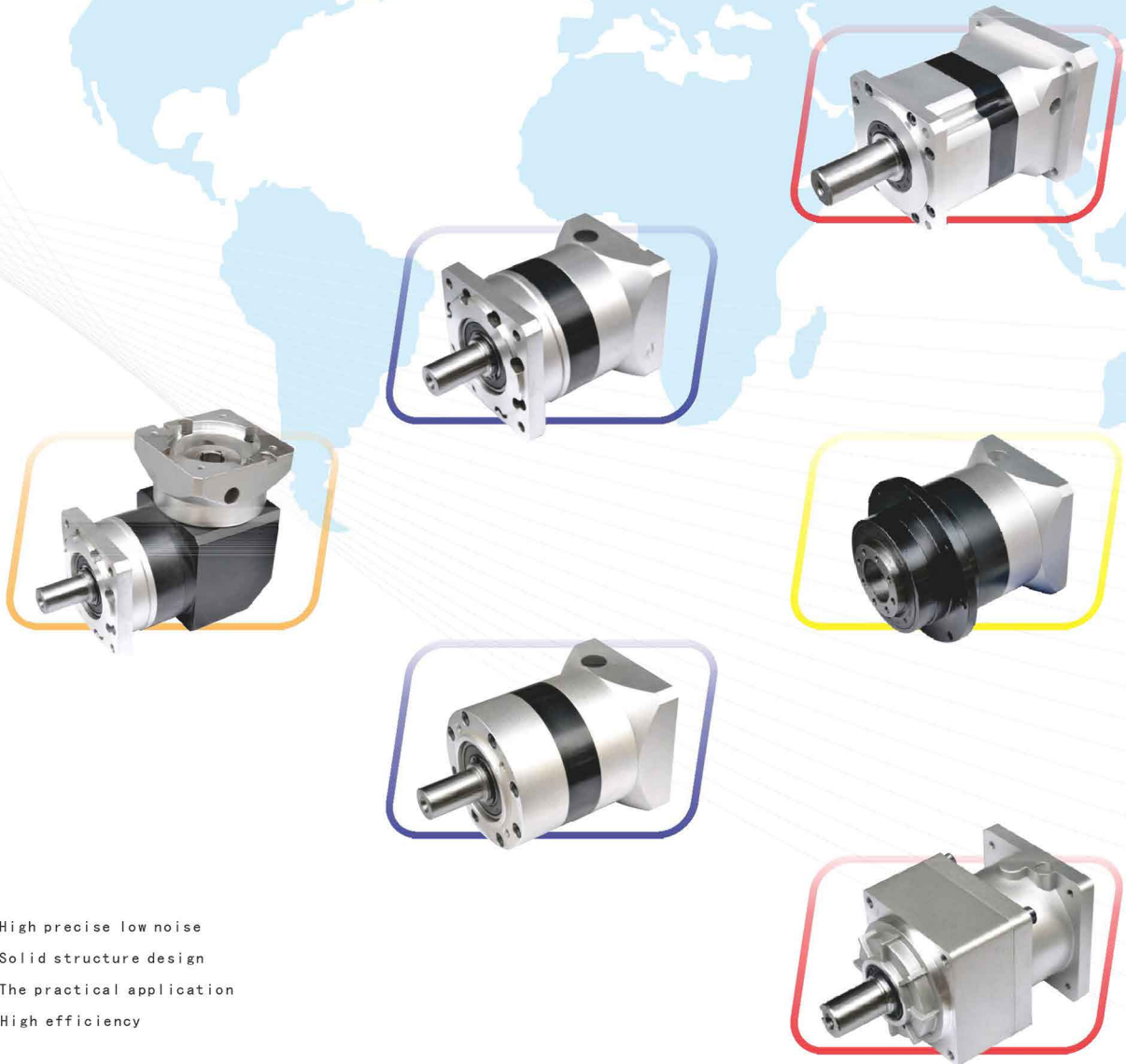


Precision Planetary Gearbox



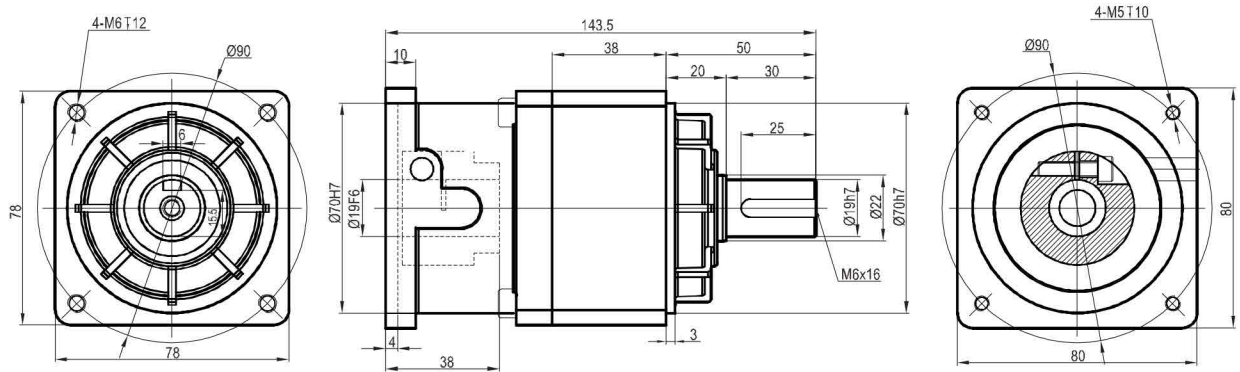
High precise low noise
Solid structure design
The practical application
High efficiency

伍勒斯精密机械有限公司
WOOLARS PRECISION MACHINERY CO., LIMITED

2018版
Product catalogue
welcome to consult for more information

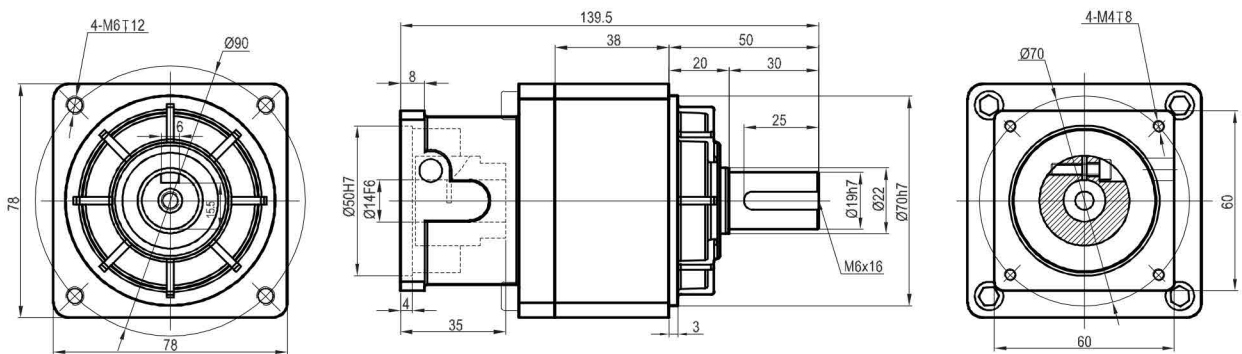
www.woolars.com

VLF78



type	ratio	actual power	Rated / maximum output torque	Rated / maximum input torque	actual / maximum output torque	input inertia	backlash
VLF078-L1-5-S2-P2	5:1	0.75Kw	92.0Nm/184.0Nm	3000min ⁻¹ /6000min ⁻¹	12.0Nm/35.5Nm	0.291Kgcm ²	<10 arcmin
VLF078-L1-5-S2-P1	5:1		92.0Nm/184.0Nm	3000min ⁻¹ /6000min ⁻¹	12.0Nm/35.5Nm	0.291Kgcm ²	<6 arcmin
VLF078-L1-5-S2-P0	5:1		92.0Nm/184.0Nm	3000min ⁻¹ /6000min ⁻¹	12.0Nm/35.5Nm	0.291Kgcm ²	<4 arcmin

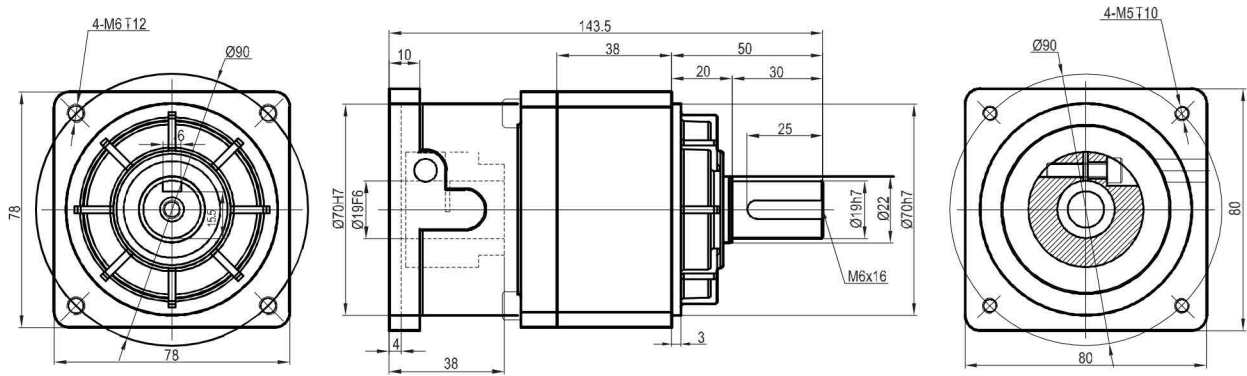
type	efficiency with full load	installation	lubricant	protection level	average lifetime	weight	key	flange
VLF078-L1-5-S2-P2	96%	arbitrarily	effective lubricant	IP65	20000h	1.95kg	C型 GB1096-79	DIN 42955-R
VLF078-L1-5-S2-P1	96%	arbitrarily	effective lubricant	IP65	20000h	1.95kg	C型 GB1096-79	DIN 42955-R
VLF078-L1-5-S2-P0	96%	arbitrarily	effective lubricant	IP65	20000h	1.95kg	C型 GB1096-79	DIN 42955-R



type	ratio	actual power	Rated / maximum output torque	Rated / maximum input torque	actual / maximum output torque	input inertia	backlash
VLF078-L1-5-S2-P2	5:1	0.4Kw	92.0Nm/184.0Nm	3000min ⁻¹ /6000min ⁻¹	6.5Nm/19.1Nm	0.291Kgcm ²	<10 arcmin
VLF078-L1-5-S2-P1	5:1		92.0Nm/184.0Nm	3000min ⁻¹ /6000min ⁻¹	6.5Nm/19.1Nm	0.291Kgcm ²	<6 arcmin
VLF078-L1-5-S2-P0	5:1		92.0Nm/184.0Nm	3000min ⁻¹ /6000min ⁻¹	6.5Nm/19.1Nm	0.291Kgcm ²	<4 arcmin

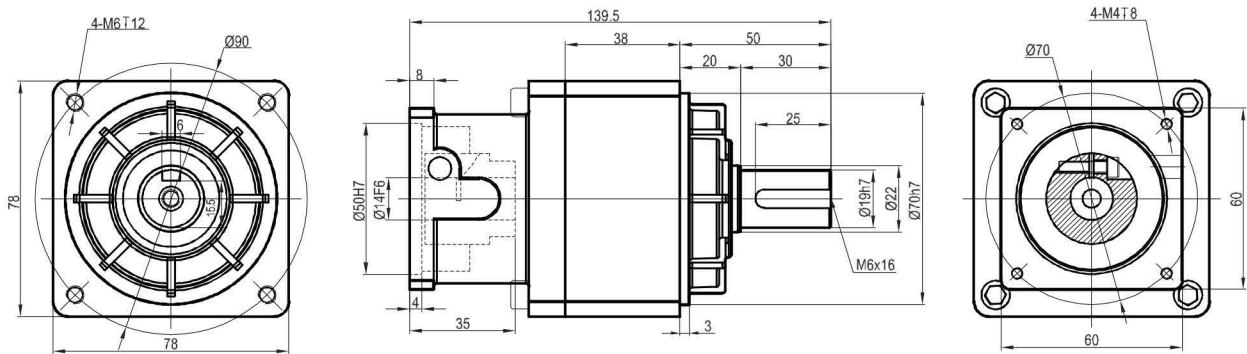
type	efficiency with full load	installation	lubricant	protection level	average lifetime	weight	key	flange
VLF078-L1-5-S2-P2	96%	arbitrarily	effective lubricant	IP65	20000h	1.95kg	C type GB1096-79	DIN 42955-R
VLF078-L1-5-S2-P1	96%	arbitrarily	effective lubricant	IP65	20000h	1.95kg	C type GB1096-79	DIN 42955-R
VLF078-L1-5-S2-P0	96%	arbitrarily	effective lubricant	IP65	20000h	1.95kg	C type GB1096-79	DIN 42955-R

VLF78



type	ratio	actual power	Rated / maximum output torque	Rated / maximum input torque	actual / maximum output torque	input inertia	backlash
VLF078-L1-9-S2-P2	9:1	0.75Kw	41.0Nm/82.0Nm	3000min ⁻¹ /6000min ⁻¹	21.6Nm/63.9Nm	0.291Kgcm ²	<10 arcmin
VLF078-L1-9-S2-P1	9:1		41.0Nm/82.0Nm	3000min ⁻¹ /6000min ⁻¹	21.6Nm/63.9Nm	0.291Kgcm ²	<6 arcmin
VLF078-L1-9-S2-P0	9:1		41.0Nm/82.0Nm	3000min ⁻¹ /6000min ⁻¹	21.6Nm/63.9Nm	0.291Kgcm ²	<4 arcmin

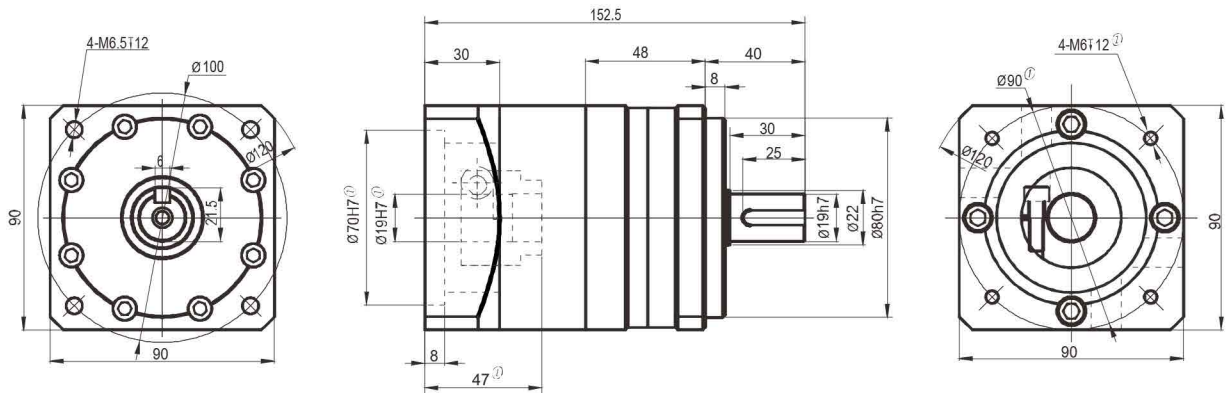
type	efficiency with full load	installation	lubricant	protection level	average lifetime	weight	key	flange
VLF078-L1-9-S2-P2	96%	arbitrarily	effective lubricant	IP65	20000h	1.75kg	C型 GB1096-79	DIN 42955-R
VLF078-L1-9-S2-P1	96%	arbitrarily	effective lubricant	IP65	20000h	1.75kg	C型 GB1096-79	DIN 42955-R
VLF078-L1-9-S2-P0	96%	arbitrarily	effective lubricant	IP65	20000h	1.75kg	C型 GB1096-79	DIN 42955-R



type	ratio	actual power	Rated / maximum output torque	Rated / maximum input torque	actual / maximum output torque	input inertia	backlash
VLF078-L1-9-S2-P2	9:1	0.4Kw	41.0Nm/82.0Nm	3000min ⁻¹ /6000min ⁻¹	11.7Nm/34.2Nm	0.12Kgcm ²	<10 arcmin
VLF078-L1-9-S2-P1	9:1		41.0Nm/82.0Nm	3000min ⁻¹ /6000min ⁻¹	11.7Nm/34.2Nm	0.12Kgcm ²	<6 arcmin
VLF078-L1-9-S2-P0	9:1		41.0Nm/82.0Nm	3000min ⁻¹ /6000min ⁻¹	11.7Nm/34.2Nm	0.12Kgcm ²	<4 arcmin

type	efficiency with full load	installation	lubricant	protection level	average lifetime	weight	key	flange
VLF078-L1-9-S2-P2	96%	arbitrarily	effective lubricant	IP65	20000h	1.75kg	C型 GB1096-79	DIN 42955-R
VLF078-L1-9-S2-P1	96%	arbitrarily	effective lubricant	IP65	20000h	1.75kg	C型 GB1096-79	DIN 42955-R
VLF078-L1-9-S2-P0	96%	arbitrarily	effective lubricant	IP65	20000h	1.75kg	C型 GB1096-79	DIN 42955-R

VLF90



View mode

type	ratio	actual power	Rated/maximum output torque	Rated / maximum input torque	actual / maximum output torque	input inertia	backlash
VLF090-L1-5-S2-P2	5:1	all motor	92.0Nm/184.0Nm	3000min ⁻¹ /6000min ⁻¹	12.0Nm/35.5Nm	0.291Kgcm ²	<10 arcmin
VLF090-L1-5-S2-P1	5:1		92.0Nm/184.0Nm	3000min ⁻¹ /6000min ⁻¹	12.0Nm/35.5Nm	0.291Kgcm ²	<6 arcmin
VLF090-L1-5-S2-P0	5:1		92.0Nm/184.0Nm	3000min ⁻¹ /6000min ⁻¹	12.0Nm/35.5Nm	0.291Kgcm ²	<4 arcmin

type	efficiency with full load	installation	lubricant	protection level	average lifetime	weight	key	flange
VLF090-L1-5-S2-P2	96%	arbitrarily	effective lubricant	IP65	20000h	1.95kg	C型 GB1096-79	DIN 42955-R
VLF090-L1-5-S2-P1	96%	arbitrarily	effective lubricant	IP65	20000h	1.95kg	C型 GB1096-79	DIN 42955-R
VLF090-L1-5-S2-P0	96%	arbitrarily	effective lubricant	IP65	20000h	1.95kg	C型 GB1096-79	DIN 42955-R

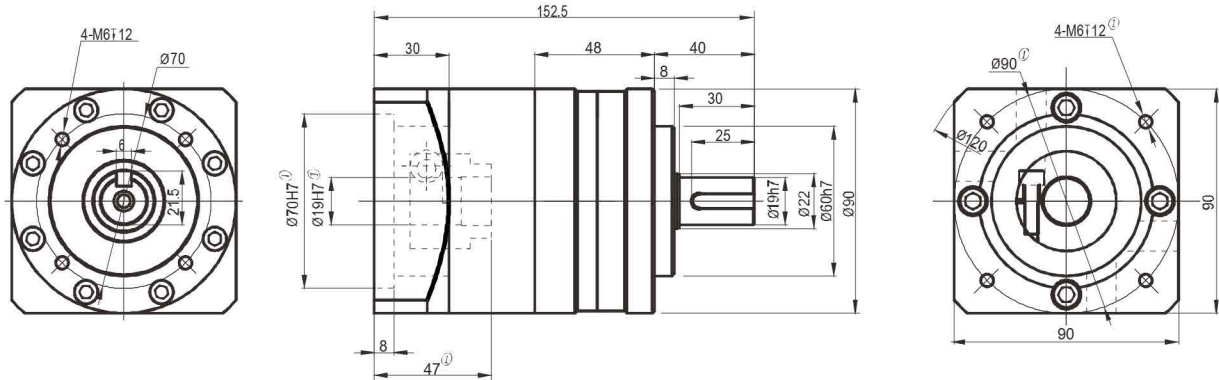
WOOLARS

type	ratio	actual power	Rated/maximum output torque	Rated / maximum input torque	actual / maximum output torque	input inertia	backlash
VLF090-L1-9-S2-P2	9:1	all motor	41.0Nm/82.0Nm	3000min ⁻¹ /6000min ⁻¹	21.6Nm/63.9Nm	0.291Kgcm ²	<10 arcmin
VLF090-L1-9-S2-P1	9:1		41.0Nm/82.0Nm	3000min ⁻¹ /6000min ⁻¹	21.6Nm/63.9Nm	0.291Kgcm ²	<6 arcmin
VLF090-L1-9-S2-P0	9:1		41.0Nm/82.0Nm	3000min ⁻¹ /6000min ⁻¹	21.6Nm/63.9Nm	0.291Kgcm ²	<4 arcmin

type	efficiency with full load	installation	lubricant	protection level	average lifetime	weight	key	flange
VLF090-L1-9-S2-P2	96%	arbitrarily	effective lubricant	IP65	20000h	1.75kg	C型 GB1096-79	DIN 42955-R
VLF090-L1-9-S2-P1	96%	arbitrarily	effective lubricant	IP65	20000h	1.75kg	C型 GB1096-79	DIN 42955-R
VLF090-L1-9-S2-P0	96%	arbitrarily	effective lubricant	IP65	20000h	1.75kg	C型 GB1096-79	DIN 42955-R

Subscript ①: We offer different adapter for different size of motors. Our speed reducer can be matched to any motor.

VLE90



视图方式

减速机型号	减速比	实际输入功率	额定/最大输出转矩	额定/最大输入转速	实际额定/最大输出转矩	输入转动惯量	精度 (侧隙)
VLE090-L1-5-S2-P2	5:1	可匹配任何电机	92.0Nm/184.0Nm	3000min ⁻¹ /6000min ⁻¹	12.0Nm/35.5Nm	0.291Kgcm ²	<10 arcmin
VLE090-L1-5-S2-P1	5:1		92.0Nm/184.0Nm	3000min ⁻¹ /6000min ⁻¹	12.0Nm/35.5Nm	0.291Kgcm ²	<6 arcmin
VLE090-L1-5-S2-P0	5:1		92.0Nm/184.0Nm	3000min ⁻¹ /6000min ⁻¹	12.0Nm/35.5Nm	0.291Kgcm ²	<4 arcmin

减速机型号	满载效率	安装方式	润滑方式	防护等级	平均寿命	重量	输出键标准	法兰标准
VLE090-L1-5-S2-P2	96%	任意	合成脂润滑(长效润滑)	IP65	20000h	1.95kg	C型 GB1096-79	DIN 42955-R
VLE090-L1-5-S2-P1	96%	任意	合成脂润滑(长效润滑)	IP65	20000h	1.95kg	C型 GB1096-79	DIN 42955-R
VLE090-L1-5-S2-P0	96%	任意	合成脂润滑(长效润滑)	IP65	20000h	1.95kg	C型 GB1096-79	DIN 42955-R

WOOLARS

减速机型号	减速比	实际输入功率	额定/最大输出转矩	额定/最大输入转速	实际额定/最大输出转矩	输入转动惯量	精度 (侧隙)
VLE090-L1-9-S2-P2	9:1	可匹配任何电机	41.0Nm/82.0Nm	3000min ⁻¹ /6000min ⁻¹	21.6Nm/63.9Nm	0.291Kgcm ²	<10 arcmin
VLE090-L1-9-S2-P1	9:1		41.0Nm/82.0Nm	3000min ⁻¹ /6000min ⁻¹	21.6Nm/63.9Nm	0.291Kgcm ²	<6 arcmin
VLE090-L1-9-S2-P0	9:1		41.0Nm/82.0Nm	3000min ⁻¹ /6000min ⁻¹	21.6Nm/63.9Nm	0.291Kgcm ²	<4 arcmin

减速机型号	满载效率	安装方式	润滑方式	防护等级	平均寿命	重量	输出键标准	法兰标准
VLE090-L1-9-S2-P2	96%	任意	合成脂润滑(长效润滑)	IP65	20000h	1.75kg	C型 GB1096-79	DIN 42955-R
VLE090-L1-9-S2-P1	96%	任意	合成脂润滑(长效润滑)	IP65	20000h	1.75kg	C型 GB1096-79	DIN 42955-R
VLE090-L1-9-S2-P0	96%	任意	合成脂润滑(长效润滑)	IP65	20000h	1.75kg	C型 GB1096-79	DIN 42955-R

Subscript ①: We offer different adapter for different size of motors. Our speed reducer can be matched to any motor.